

Coastal Texas Protection and
Restoration Feasibility Study
Final Feasibility Report

Appendix D – Annex 20:
Ecosystem Restoration Plates

August 2021

(This page left intentionally blank.)

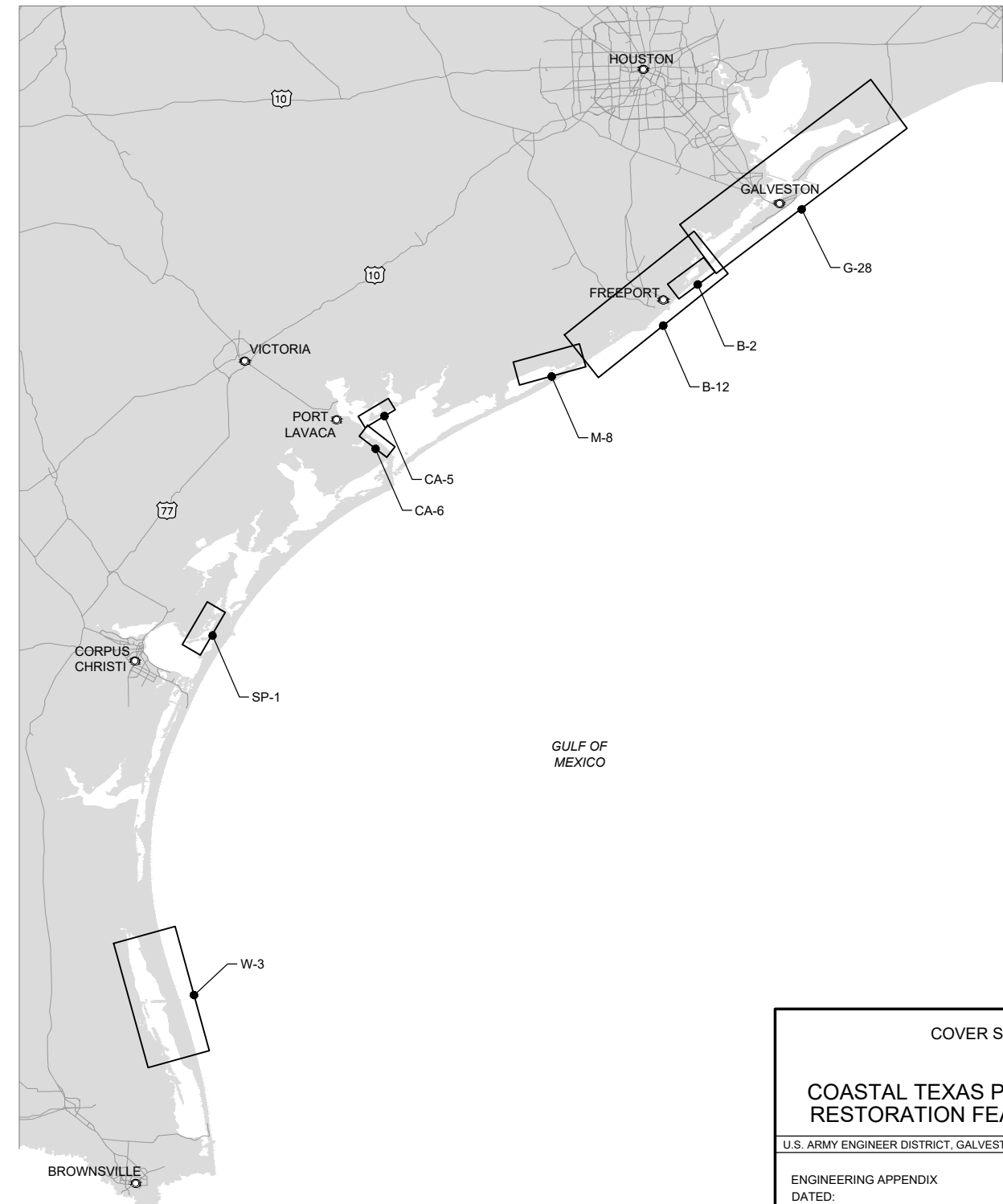
COASTAL TEXAS PROTECTION AND RESTORATION FEASIBILITY STUDY

ECOSYSTEM RESTORATION CONCEPTUAL DRAWINGS



VICINITY MAP
(NOT TO SCALE)

SHEET INDEX	
SHEET NO.	TITLE
1	COVER SHEET
2	B-2: FOLLETS ISLAND GULF BEACH & DUNE RESTORATION
3	G-28: BOLIVAR PENINSULA & WEST BAY GIWW SHORELINE & ISLAND PROTECTION (WEST)
4	G-28: BOLIVAR PENINSULA & WEST BAY GIWW SHORELINE & ISLAND PROTECTION (WEST)
5	G-28: BOLIVAR PENINSULA & WEST BAY GIWW SHORELINE & ISLAND PROTECTION (WEST)
6	G-28: BOLIVAR PENINSULA & WEST BAY GIWW SHORELINE & ISLAND PROTECTION (EAST)
7	G-28: BOLIVAR PENINSULA & WEST BAY GIWW SHORELINE & ISLAND PROTECTION (EAST)
8	B-12: BASTROP BAY, OYSTER LAKE, WEST BAY, & GIWW SHORELINE PROTECTION
9	B-12: BASTROP BAY, OYSTER LAKE, WEST BAY, & GIWW SHORELINE PROTECTION
10	M-8: EAST MATAGORDA BAY SHORELINE PROTECTION
11	M-8: EAST MATAGORDA BAY SHORELINE PROTECTION
12	M-8: EAST MATAGORDA BAY SHORELINE PROTECTION
13	CA-5: KELLER BAY RESTORATION
14	CA-6: POWDERHORN SHORELINE PROTECTION & WETLAND RESTORATION
15	CA-6: POWDERHORN SHORELINE PROTECTION & WETLAND RESTORATION
16	SP-1: REDFISH BAY PROTECTION & ENHANCEMENT
17	SP-1: REDFISH BAY PROTECTION & ENHANCEMENT
18	SP-1: REDFISH BAY PROTECTION & ENHANCEMENT
19	W-3: PORT MANSFIELD CHANNEL, ISLAND ROOKERY & HYDROLOGIC RESTORATION
20	W-3: PORT MANSFIELD CHANNEL, ISLAND ROOKERY & HYDROLOGIC RESTORATION

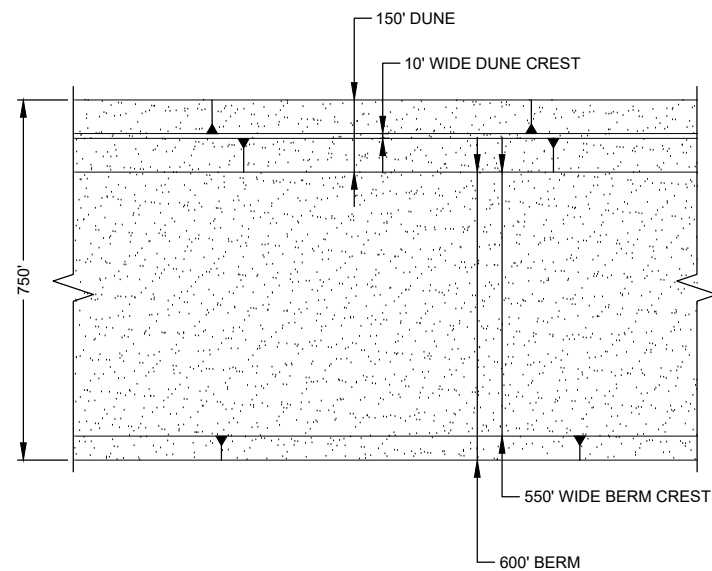
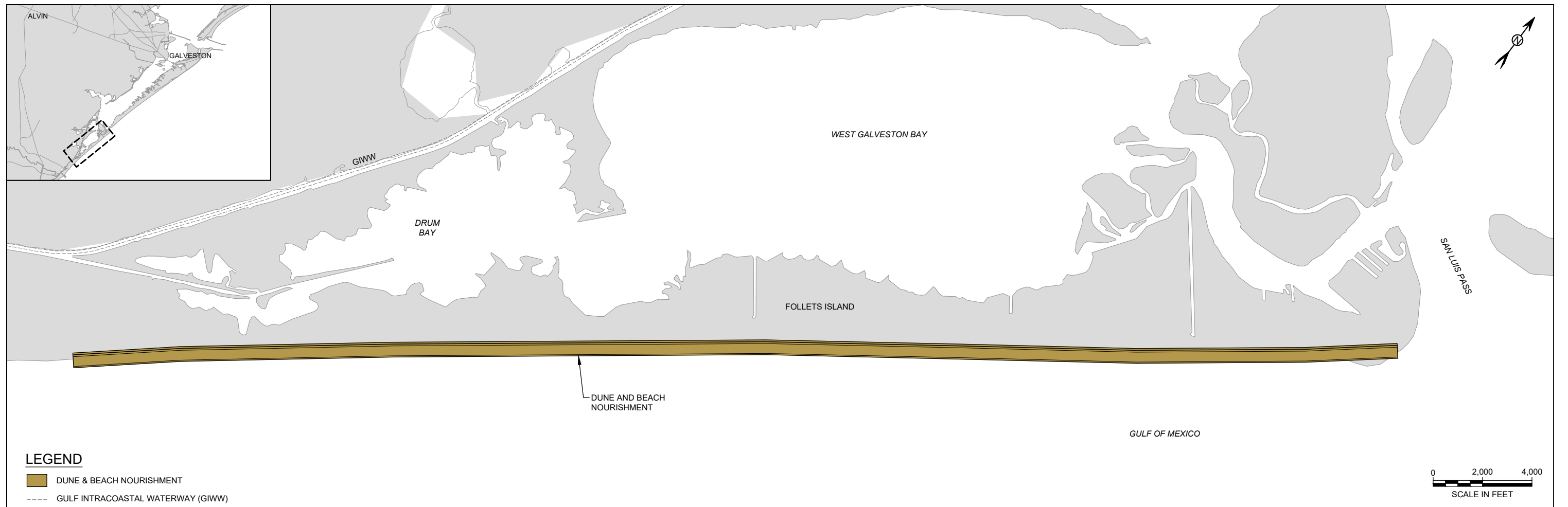


COVER SHEET

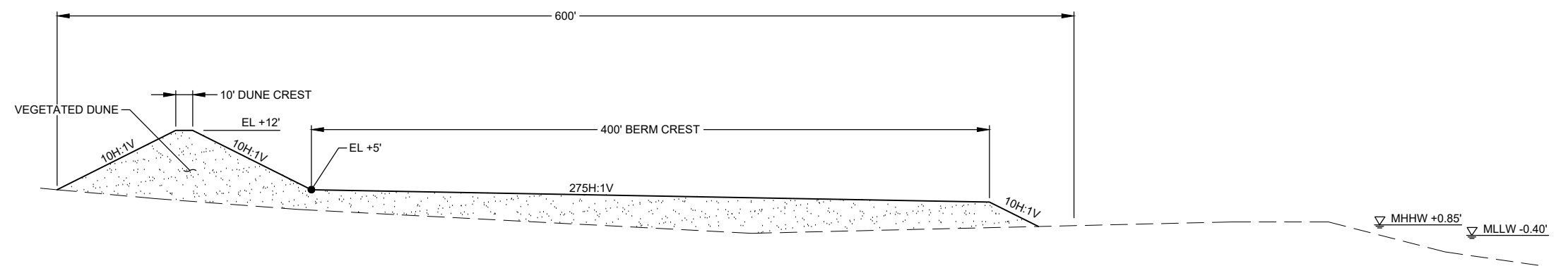
COASTAL TEXAS PROTECTION AND RESTORATION FEASIBILITY STUDY

U.S. ARMY ENGINEER DISTRICT, GALVESTON, TEXAS

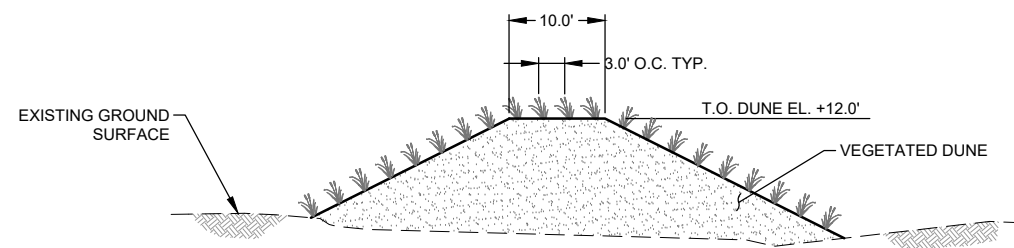
ENGINEERING APPENDIX
DATED:
JULY 28, 2020
MOTT MACDONALD



B-2 - DUNE & BEACH NOURISHMENT
SITE PLAN DETAIL



B-2 - DUNE & BEACH NOURISHMENT
TYPICAL SECTION



TYPICAL VEGETATION SECTION
NOT TO SCALE

NOTES:

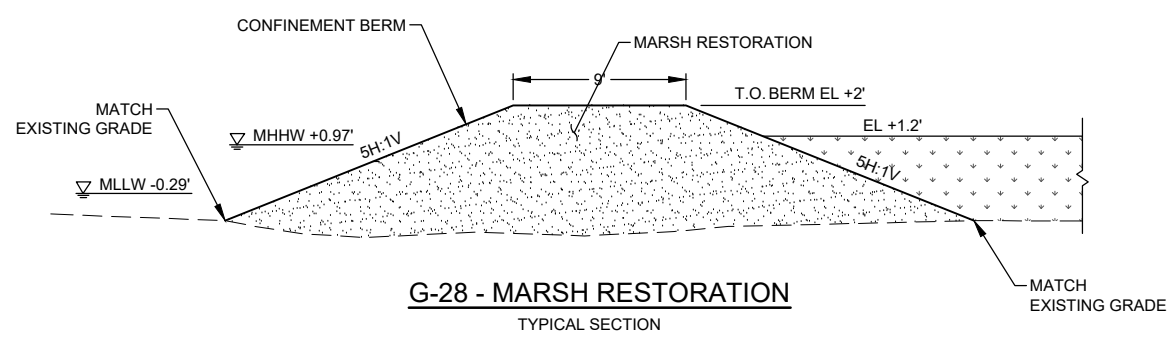
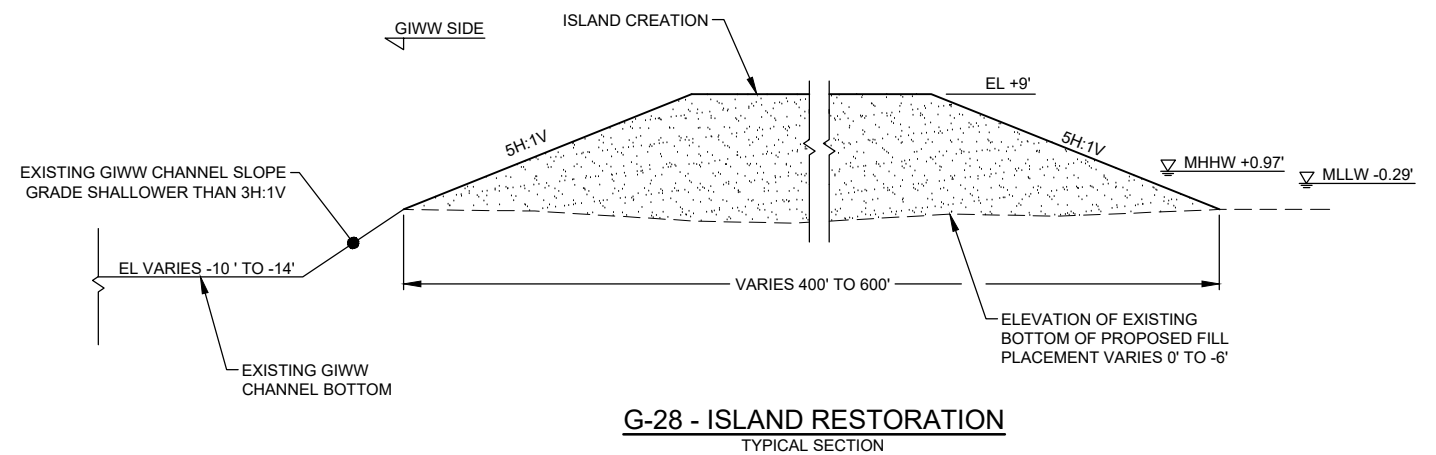
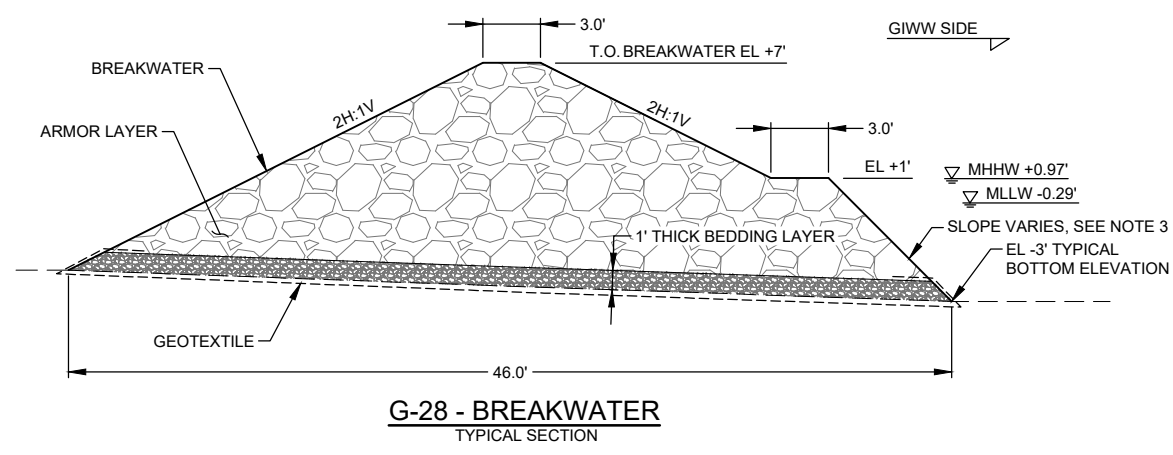
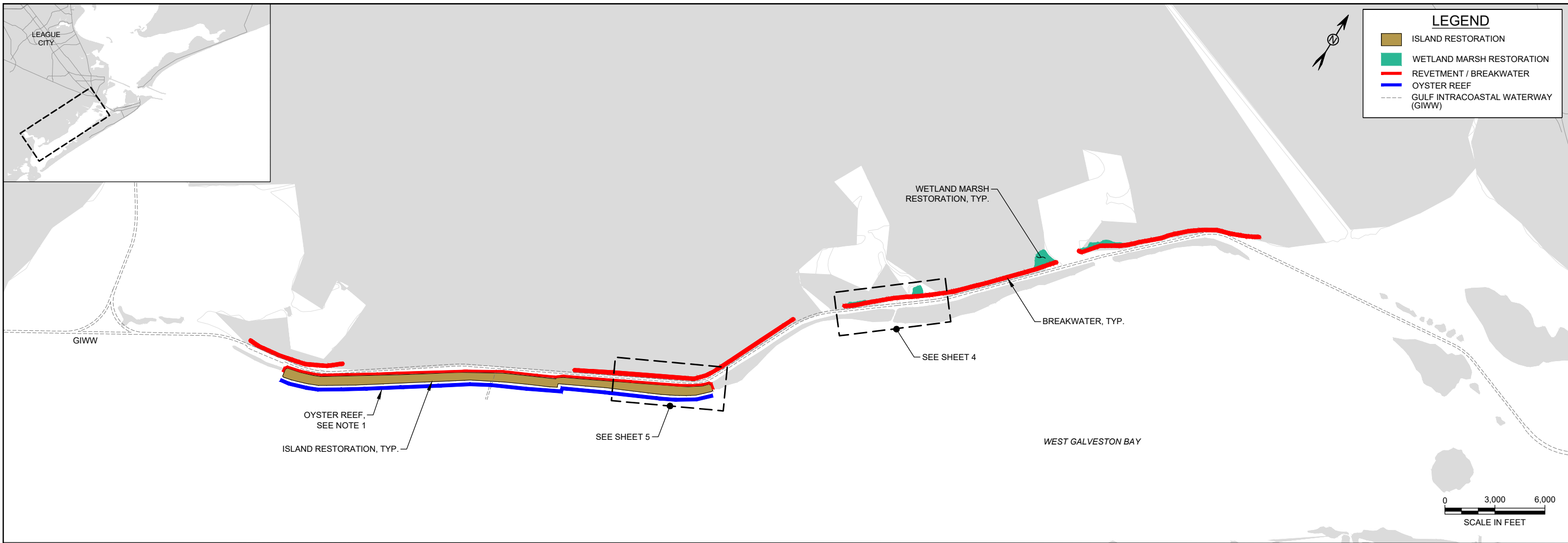
1. ALL ELEVATIONS IN FEET NAVD88.
2. DATUMS FROM NOAA GAGE 8771972, SAN LUIS PASS, TX.

B2: FOLLET'S ISLAND GULF BEACH & DUNE RESTORATION

COASTAL TEXAS PROTECTION AND RESTORATION FEASIBILITY STUDY

U.S. ARMY ENGINEER DISTRICT, GALVESTON, TEXAS

ENGINEERING APPENDIX
DATED:
JULY 28, 2020
MOTT MACDONALD



- NOTES:**
- OYSTER CULCH TO BE PLACED WITHIN OYSTER REEF TEMPLATE. FINAL ELEVATION AND SLOPES OF OYSTER CULCH PLACEMENT TO BE DETERMINED DURING FINAL DESIGN.
 - ALL ELEVATIONS IN FEET NAVD88.
 - DATUMS FROM NOAA GAGE 8771486 GALVESTON RAILROAD BRIDGE, TX

G-28: BOLIVAR PENINSULA & WEST BAY GIWW SHORELINE & ISLAND PROTECTION (WEST)

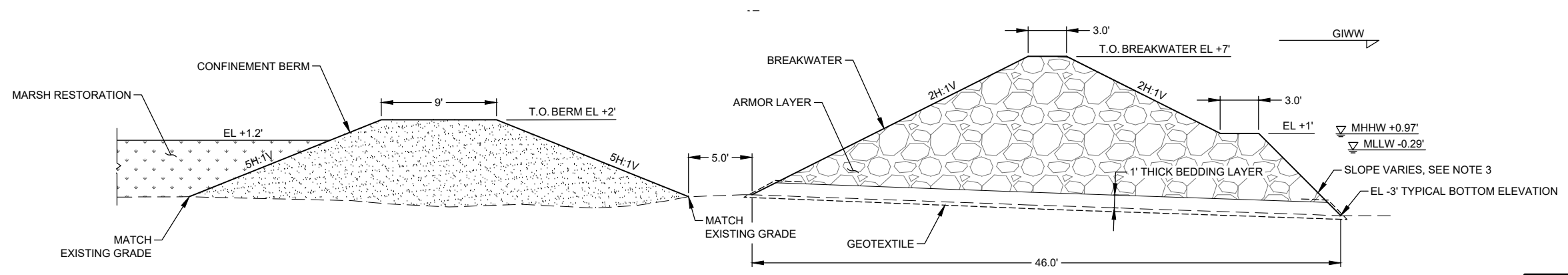
COASTAL TEXAS PROTECTION AND RESTORATION FEASIBILITY STUDY

U.S. ARMY ENGINEER DISTRICT, GALVESTON, TEXAS

ENGINEERING APPENDIX
DATED:
JULY 28, 2020
MOTT MACDONALD



LEGEND	
■	WETLAND MARSH RESTORATION
■	REVTMENT / BREAKWATER
---	GULF INTRACOASTAL WATERWAY (GIWW)



A

G-28: COMBINED BREAKWATER & MARSH RESTORATION SECTION

TYPICAL SECTION

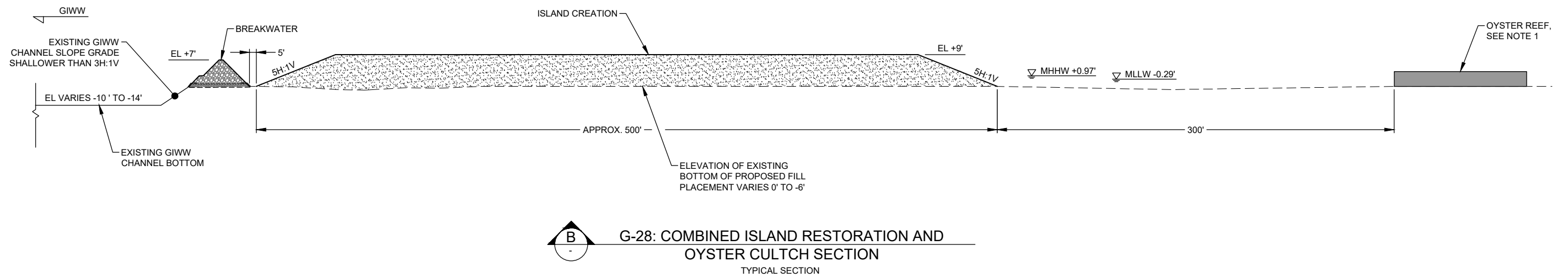
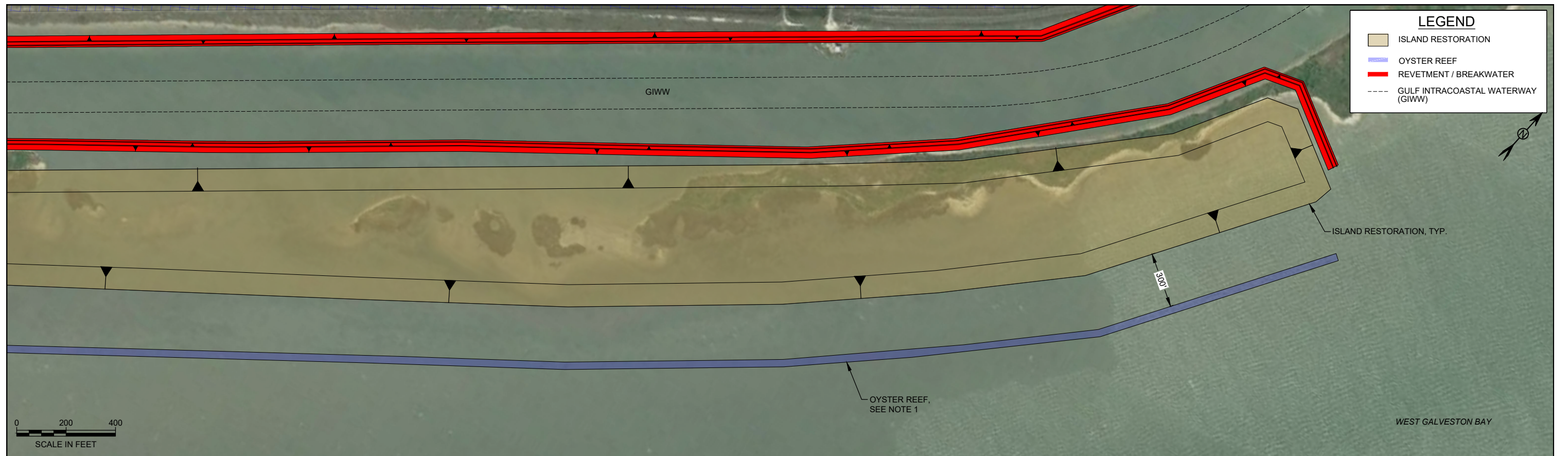
- NOTES:**
1. ALL ELEVATIONS IN FEET NAVD88.
 2. DATUMS FROM NOAA GAGE 8771486 GALVESTON RAILROAD BRIDGE, TX.

G-28: BOLIVAR PENINSULA & WEST BAY GIWW SHORELINE & ISLAND PROTECTION (WEST)

COASTAL TEXAS PROTECTION AND RESTORATION FEASIBILITY STUDY

U.S. ARMY ENGINEER DISTRICT, GALVESTON, TEXAS

ENGINEERING APPENDIX
DATED:
JULY 28, 2020
MOTT MACDONALD



NOTES:

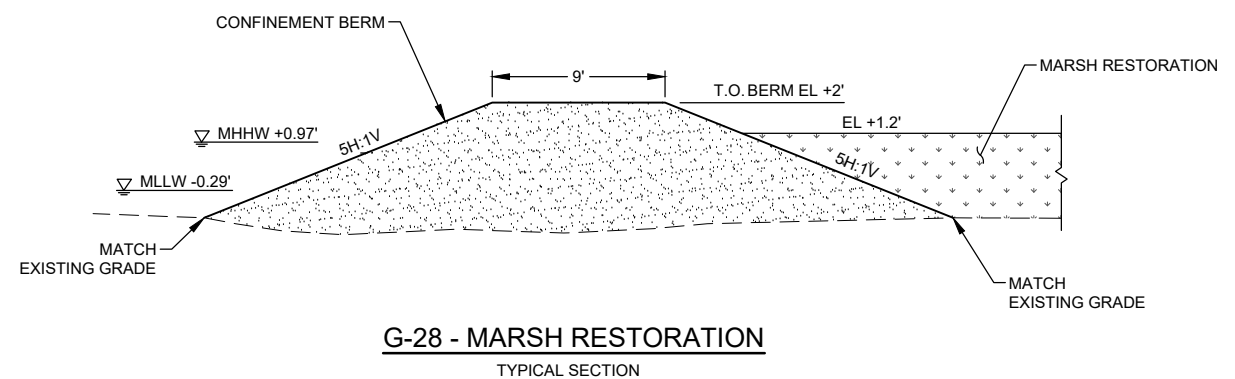
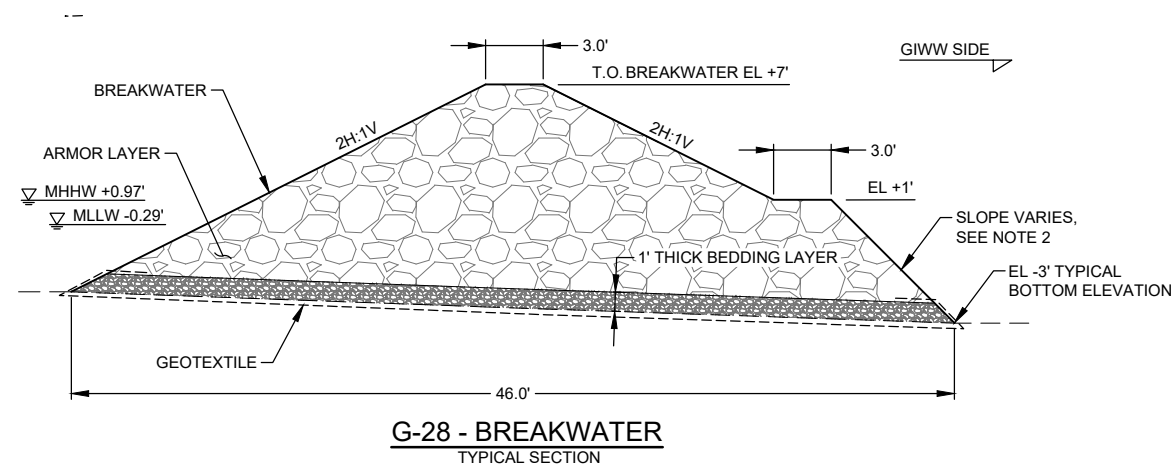
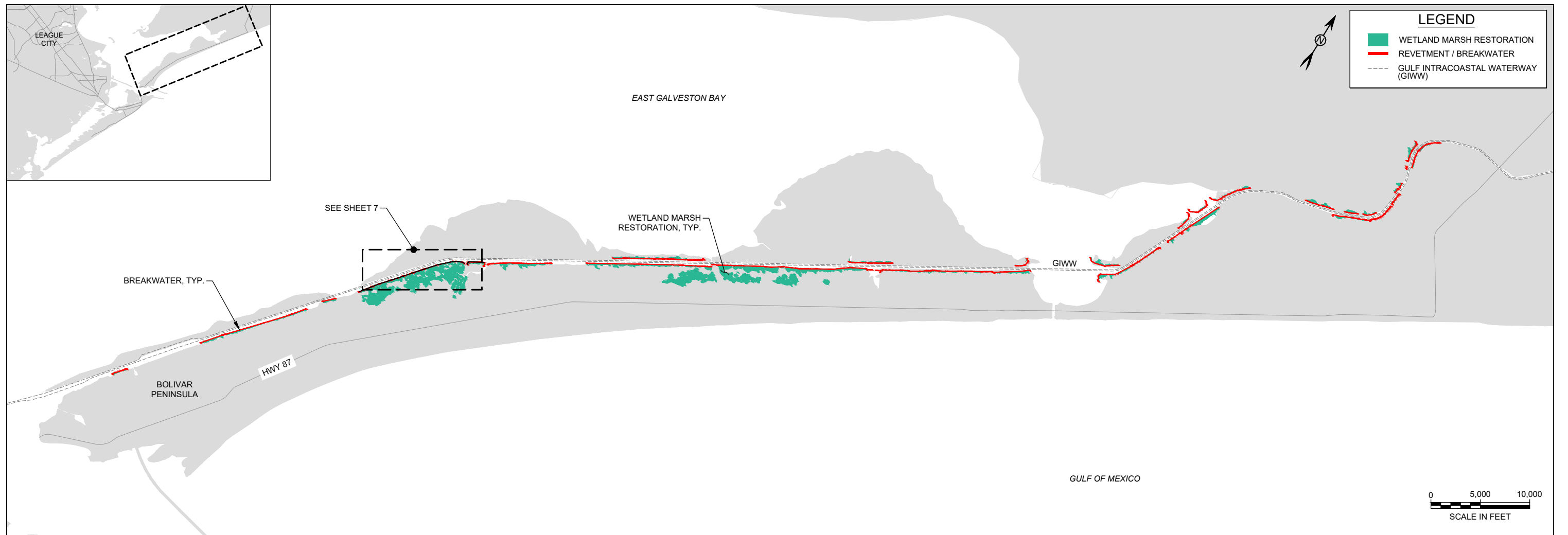
- OYSTER CULCH TO BE PLACED WITHIN OYSTER REEF TEMPLATE. FINAL ELEVATION AND SLOPES OF OYSTER CULCH PLACEMENT TO BE DETERMINED DURING FINAL DESIGN.
- ALL ELEVATIONS IN FEET NAVD88.

G-28: BOLIVAR PENINSULA & WEST BAY GIWW SHORELINE & ISLAND PROTECTION (WEST)

COASTAL TEXAS PROTECTION AND RESTORATION FEASIBILITY STUDY

U.S. ARMY ENGINEER DISTRICT, GALVESTON, TEXAS

ENGINEERING APPENDIX
DATED:
JULY 28, 2020
MOTT MACDONALD



NOTES:

1. ALL ELEVATIONS IN FEET NAVD88.
2. VARY SLOPE OF BREAKWATER TOE SO THAT STONE IS PLACED WITHIN THE 46.0' WIDE BREAKWATER TEMPLATE.
3. DATUMS FROM NOAA GAGE 8771486 GALVESTON RAILROAD BRIDGE, TX.

G-28: BOLIVAR PENINSULA & WEST BAY GIWW
SHORELINE & ISLAND PROTECTION (EAST)
**COASTAL TEXAS PROTECTION AND
RESTORATION FEASIBILITY STUDY**

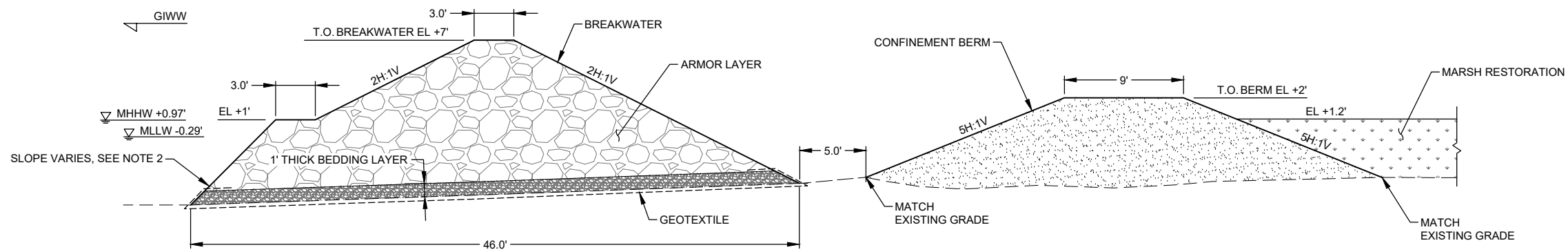
U.S. ARMY ENGINEER DISTRICT, GALVESTON, TEXAS

ENGINEERING APPENDIX
DATED:
JULY 28, 2020
MOTT MACDONALD



LEGEND

- WETLAND MARSH RESTORATION
- REVETMENT / BREAKWATER
- GULF INTRACOASTAL WATERWAY (GIWW)



G-28: COMBINED BREAKWATER & MARSH RESTORATION
 TYPICAL SECTION

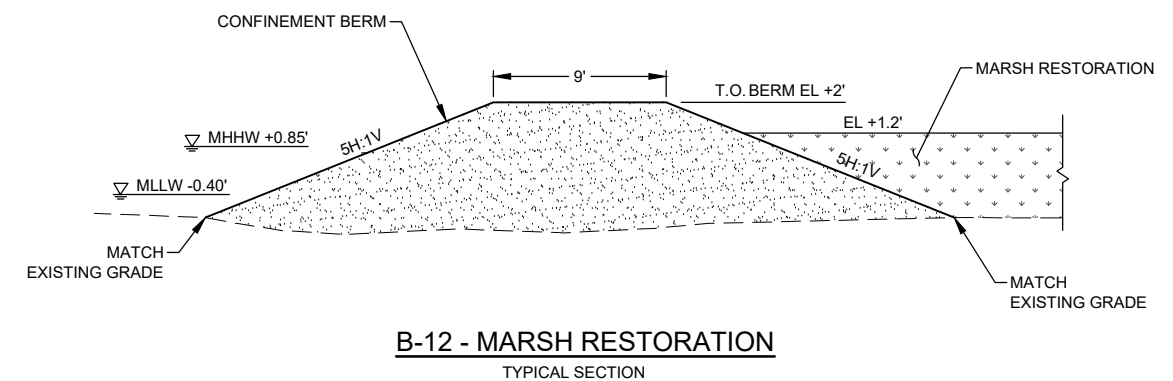
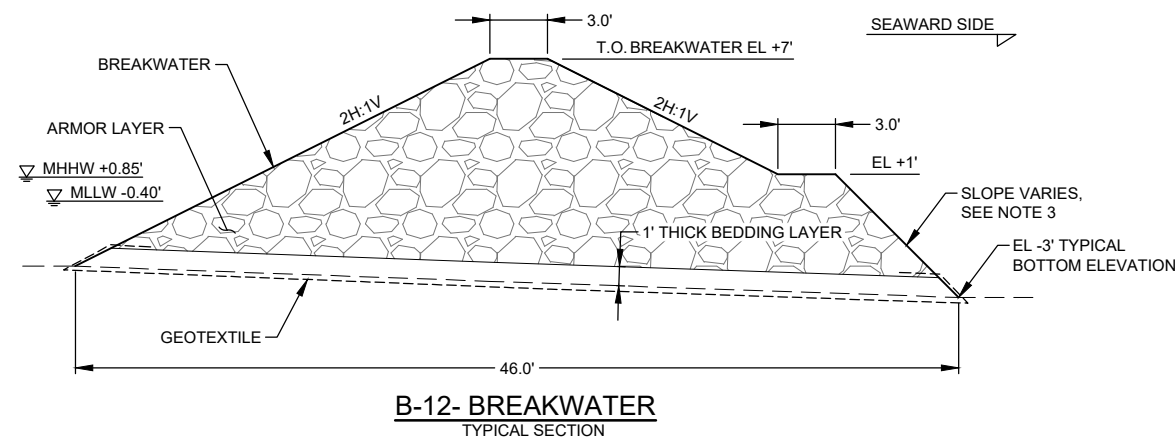
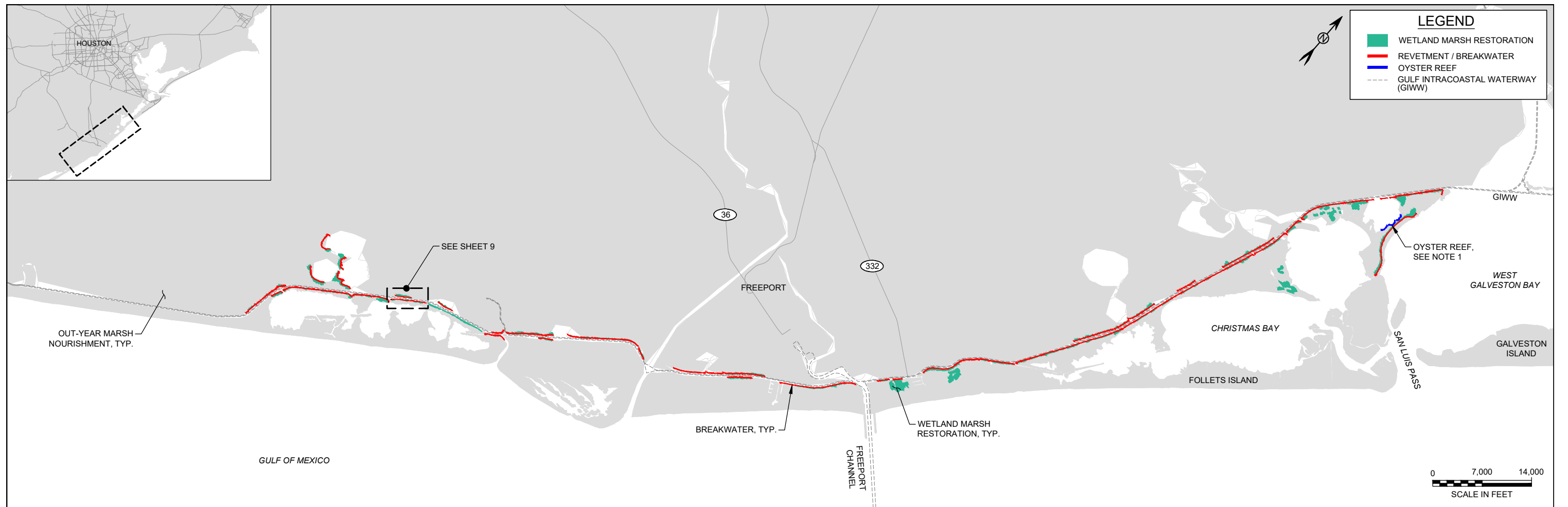
NOTES:

1. ALL ELEVATIONS IN FEET NAVD88.
2. VARY SLOPE OF BREAKWATER TOE SO THAT STONE IS PLACED WITHIN THE 46.0' WIDE BREAKWATER TEMPLATE.
3. DATUMS FROM NOAA GAGE 8771486 GALVESTON RAILROAD BRIDGE, TX.

G-28: BOLIVAR PENINSULA & WEST BAY GIWW SHORELINE & ISLAND PROTECTION (EAST)
COASTAL TEXAS PROTECTION AND RESTORATION FEASIBILITY STUDY

U.S. ARMY ENGINEER DISTRICT, GALVESTON, TEXAS

ENGINEERING APPENDIX
 DATED:
 JULY 28, 2020
 MOTT MACDONALD



NOTES:

- OYSTER CULCH TO BE PLACED WITHIN OYSTER REEF TEMPLATE. FINAL ELEVATION AND SLOPES OF OYSTER CULCH PLACEMENT TO BE DETERMINED DURING FINAL DESIGN.
- ALL ELEVATIONS IN FEET NAVD88.
- VARY SLOPE OF BREAKWATER TOE SO THAT STONE IS PLACED WITHIN THE 46.0' WIDE BREAKWATER TEMPLATE.
- DATUMS FROM NOAA GAGE 8771972, SAN LUIS PASS, TX.

B-12: BASTROP BAY, OYSTER LAKE, WEST BAY, & GIWW SHORELINE PROTECTION

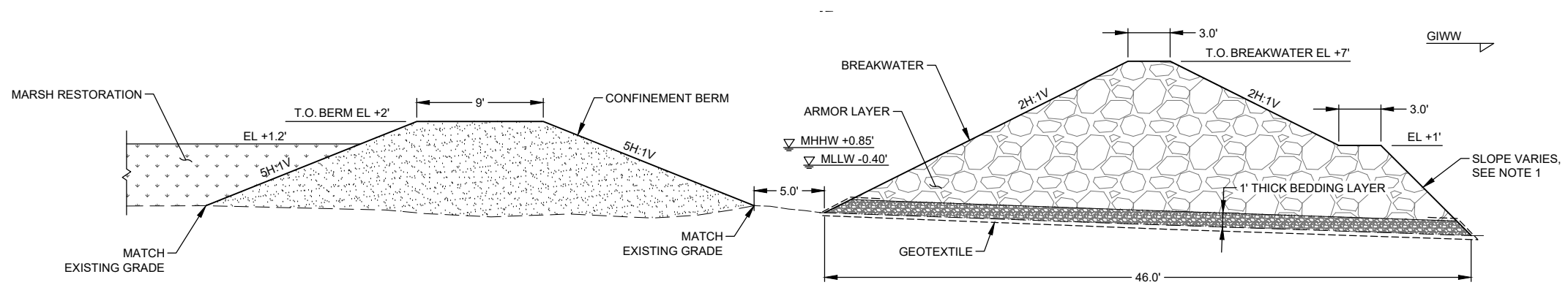
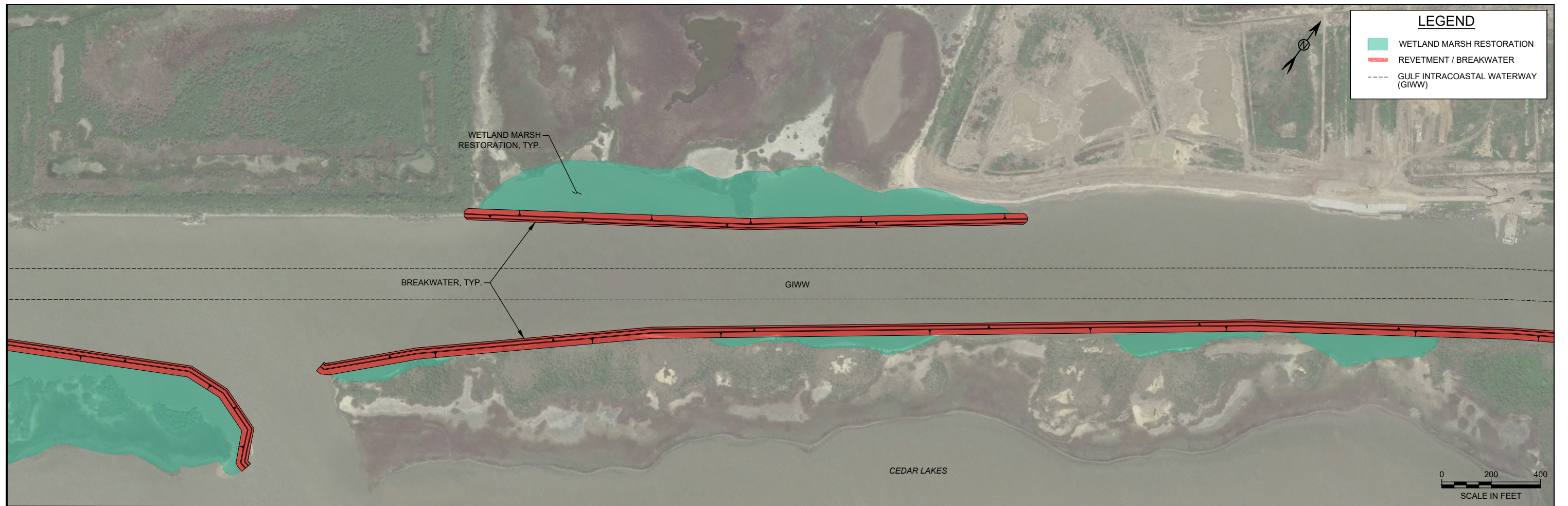
COASTAL TEXAS PROTECTION AND RESTORATION FEASIBILITY STUDY

U.S. ARMY ENGINEER DISTRICT, GALVESTON, TEXAS

ENGINEERING APPENDIX

DATED:
JULY 28, 2020

MOTT MACDONALD



D B-12: COMBINED BREAKWATER & MARSH RESTORATION
TYPICAL SECTION

NOTES:

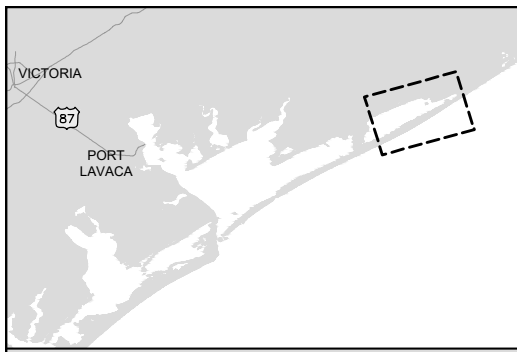
1. ALL ELEVATIONS IN FEET NAVD88.
2. VARY SLOPE OF BREAKWATER TOE SO THAT STONE IS PLACED WITHIN THE 46.0' WIDE BREAKWATER TEMPLATE.
3. DATUMS FROM NOAA GAGE 8771972, SAN LUIS PASS, TX.

B-12: BASTROP BAY, OYSTER LAKE, WEST BAY, & GIWW SHORELINE PROTECTION

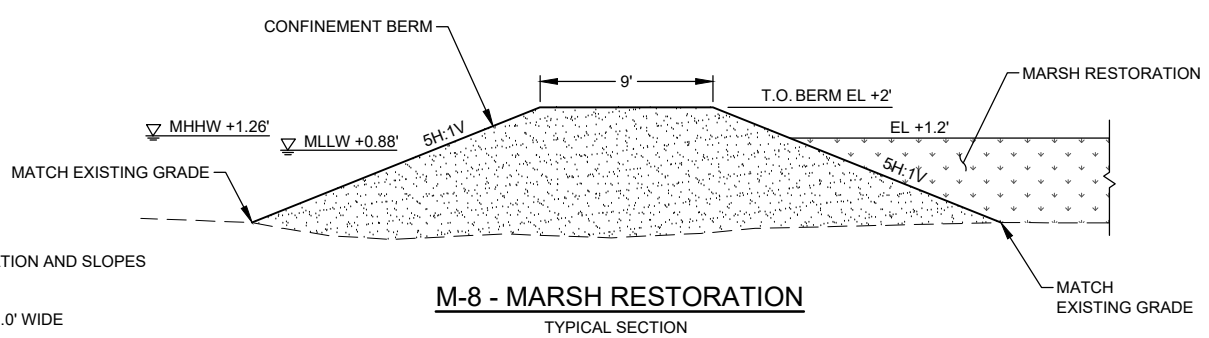
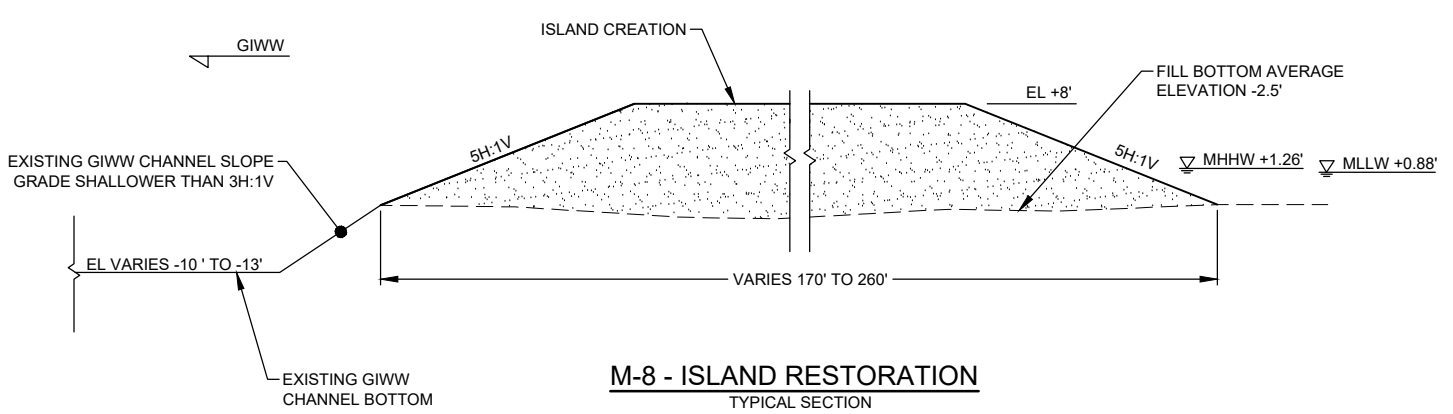
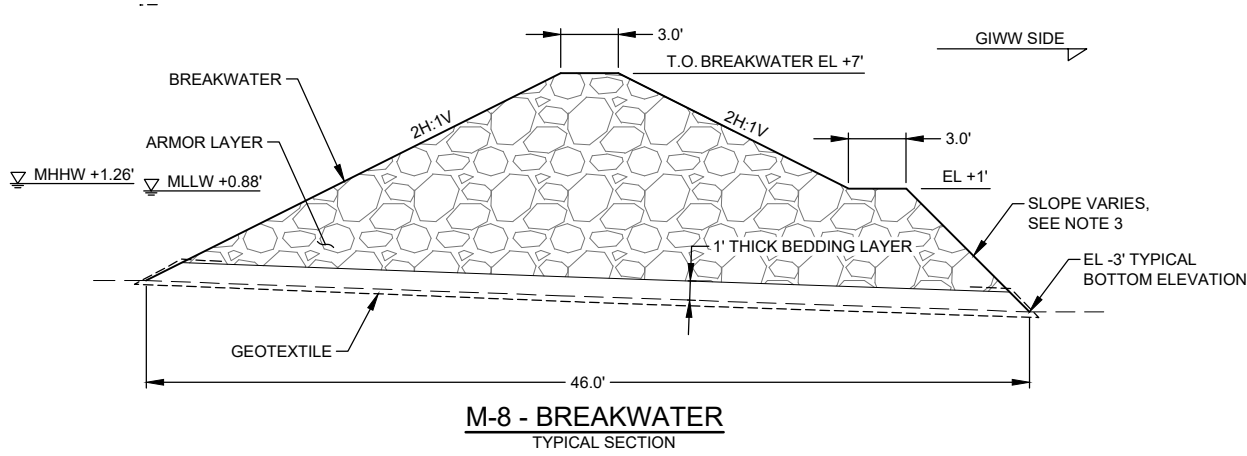
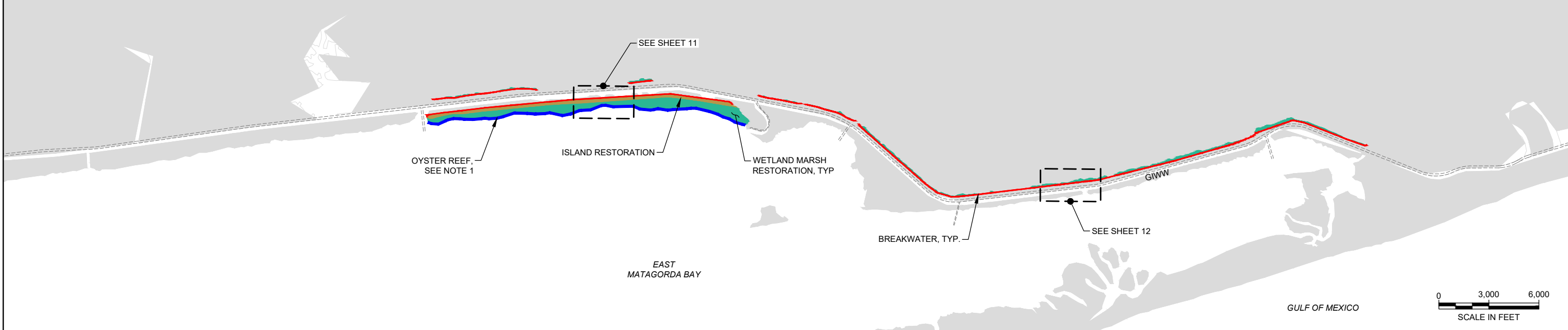
COASTAL TEXAS PROTECTION AND RESTORATION FEASIBILITY STUDY

U.S. ARMY ENGINEER DISTRICT, GALVESTON, TEXAS

ENGINEERING APPENDIX
DATED:
JULY 28, 2020
MOTT MACDONALD



LEGEND	
	ISLAND RESTORATION
	WETLAND MARSH RESTORATION
	REVTMENT / BREAKWATER
	OYSTER REEF
	GULF INTRACOASTAL WATERWAY (GIWW)



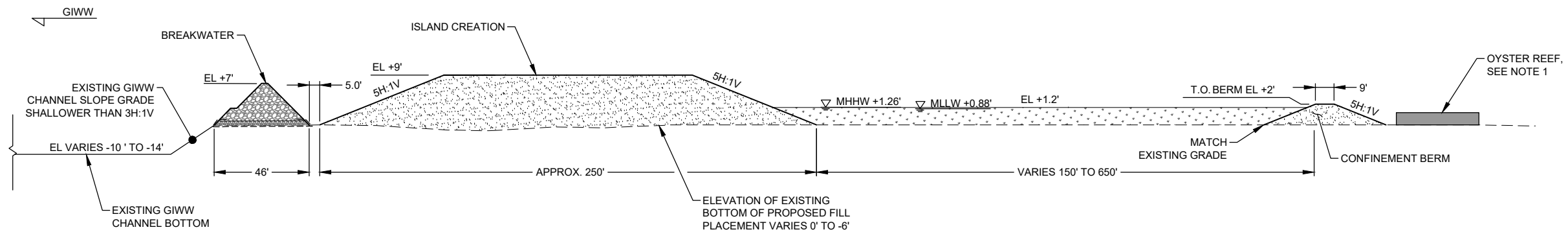
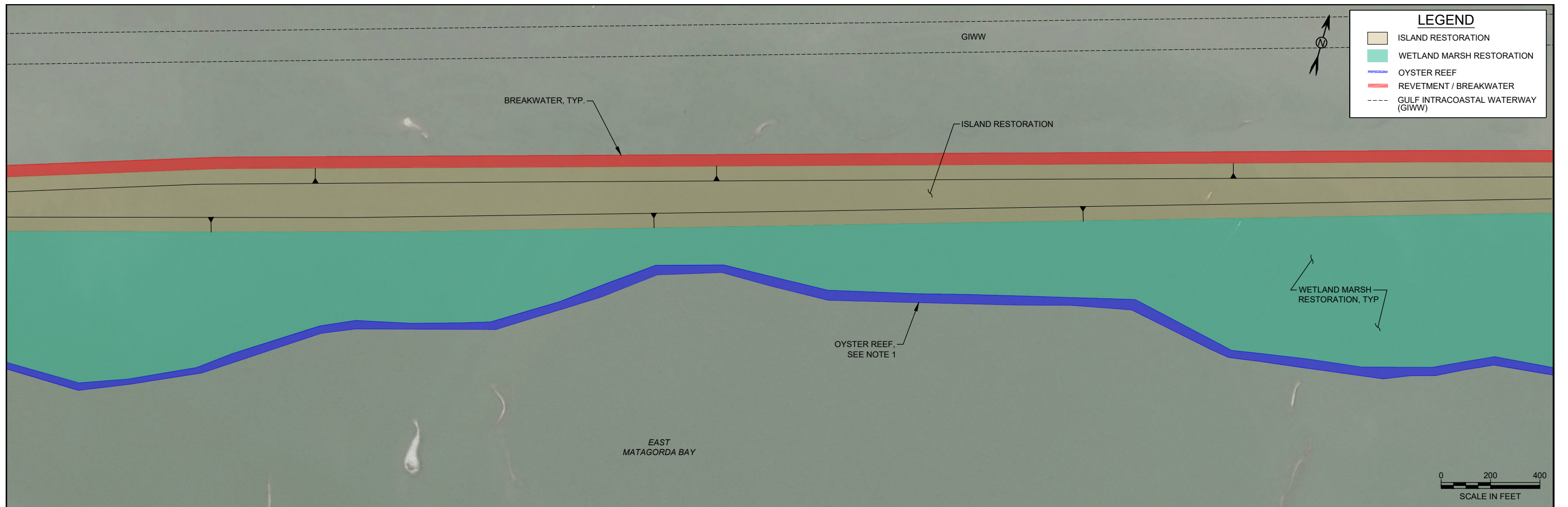
- NOTES:**
- OYSTER CULCH TO BE PLACED WITHIN OYSTER REEF TEMPLATE. FINAL ELEVATION AND SLOPES OF OYSTER CULCH PLACEMENT TO BE DETERMINED DURING FINAL DESIGN.
 - ALL ELEVATIONS IN FEET NAVD88.
 - VARY SLOPE OF BREAKWATER TOE SO THAT STONE IS PLACED WITHIN THE 46.0' WIDE BREAKWATER TEMPLATE.
 - DATUMS FROM NOAA GAGE 8773037 SEADRIFT, TX

M-8: EAST MATAGORDA BAY SHORELINE PROTECTION

COASTAL TEXAS PROTECTION AND RESTORATION FEASIBILITY STUDY

U.S. ARMY ENGINEER DISTRICT, GALVESTON, TEXAS

ENGINEERING APPENDIX
 DATED:
 JULY 28, 2020
 MOTT MACDONALD



M-8: COMBINED ISLAND RESTORATION, MARSH RESTORATION, AND OYSTER CULTCH SECTION
TYPICAL SECTION

NOTES:

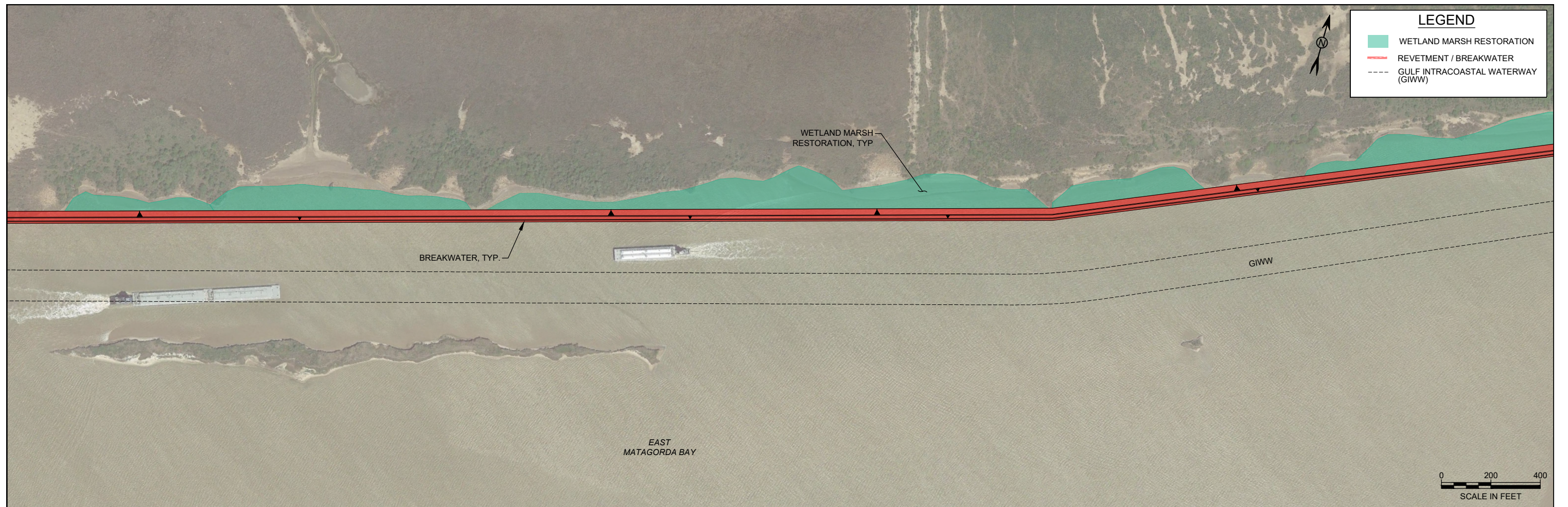
- OYSTER CULCH TO BE PLACED WITHIN OYSTER REEF TEMPLATE. FINAL ELEVATION AND SLOPES OF OYSTER CULCH PLACEMENT TO BE DETERMINED DURING FINAL DESIGN.
- ALL ELEVATIONS IN FEET NAVD88.
- VARY SLOPE OF BREAKWATER TOE SO THAT STONE IS PLACED WITHIN THE 46.0' WIDE BREAKWATER TEMPLATE.
- DATUMS FROM NOAA GAGE 8773037 SEADRIFT, TX

M-8: EAST MATAGORDA BAY SHORELINE PROTECTION

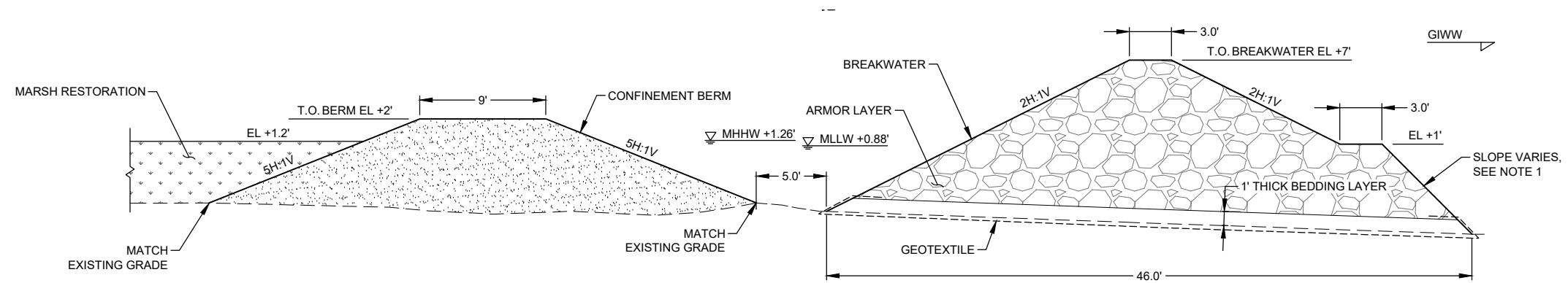
COASTAL TEXAS PROTECTION AND RESTORATION FEASIBILITY STUDY

U.S. ARMY ENGINEER DISTRICT, GALVESTON, TEXAS

ENGINEERING APPENDIX
DATED:
JULY 28, 2020
MOTT MACDONALD



LEGEND	
■	WETLAND MARSH RESTORATION
—	REVETMENT / BREAKWATER
- - -	GULF INTRACOASTAL WATERWAY (GIWW)



F M-8: COMBINED BREAKWATER & MARSH RESTORATION
TYPICAL SECTION

NOTES:

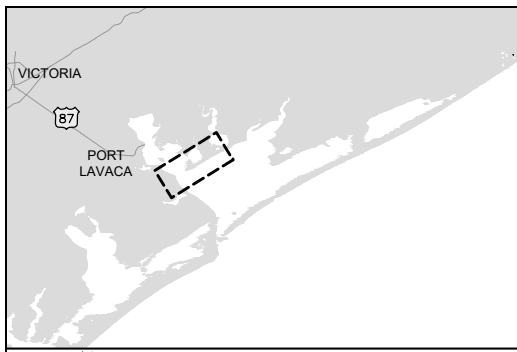
1. ALL ELEVATIONS IN FEET NAVD88.
2. VARY SLOPE OF BREAKWATER TOE SO THAT STONE IS PLACED WITHIN THE 46.0' WIDE BREAKWATER TEMPLATE.
3. DATUMS FROM NOAA GAGE 8773037 SEADRIFT, TX

M-8: EAST MATAGORDA BAY SHORELINE PROTECTION

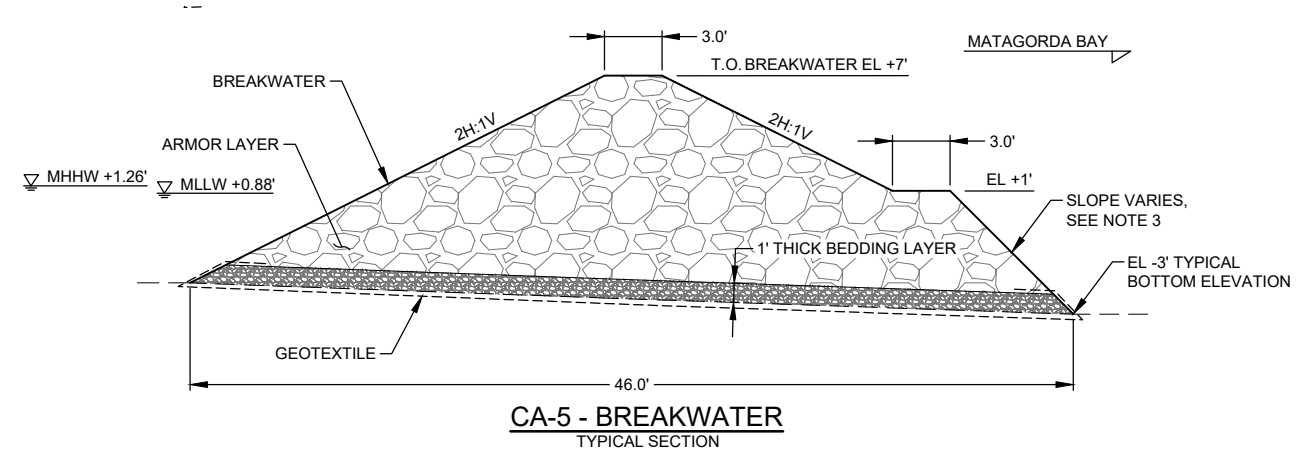
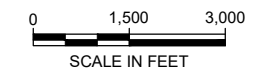
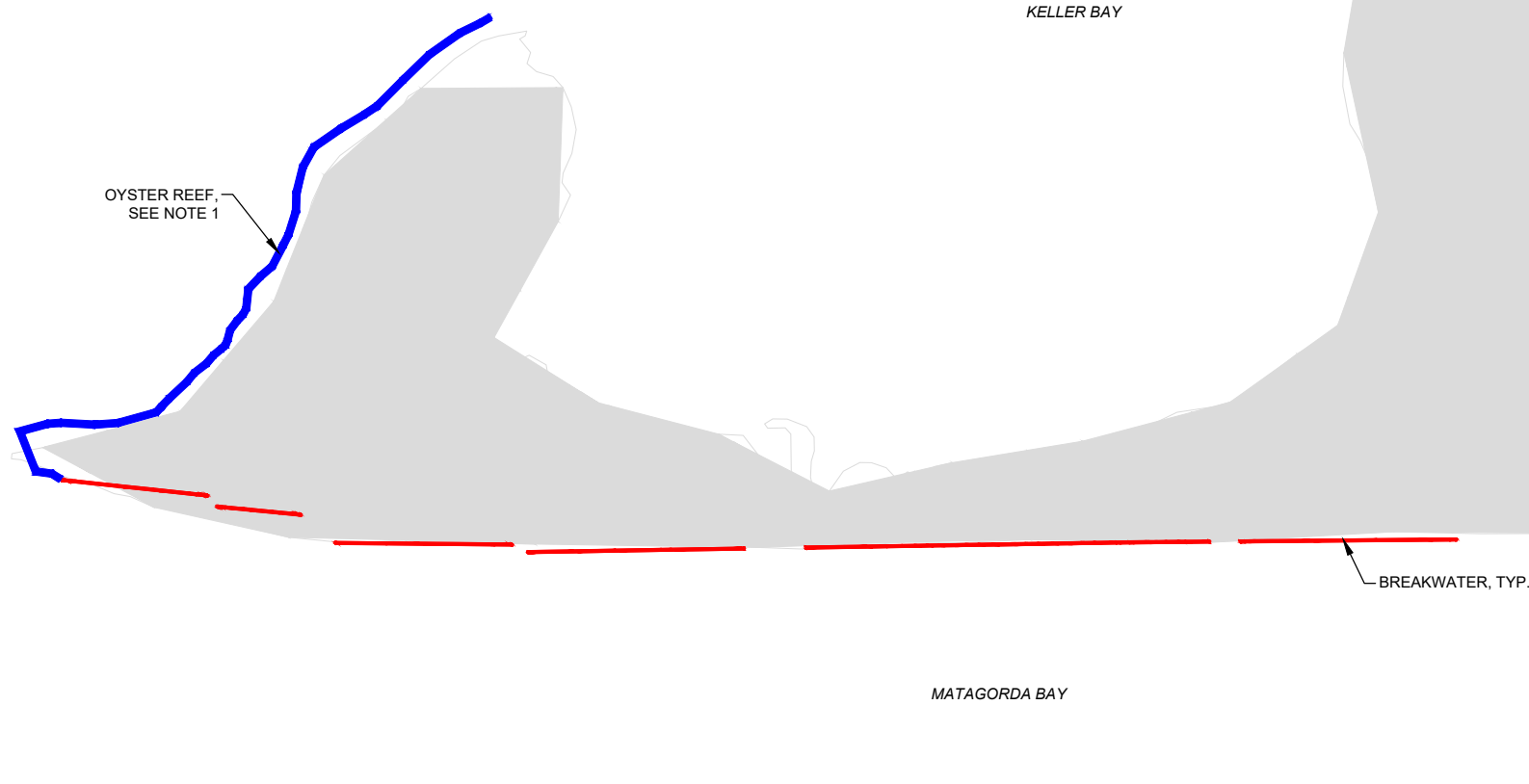
COASTAL TEXAS PROTECTION AND RESTORATION FEASIBILITY STUDY

U.S. ARMY ENGINEER DISTRICT, GALVESTON, TEXAS

ENGINEERING APPENDIX
DATED:
JULY 28, 2020
MOTT MACDONALD



LEGEND	
—	REVTMENT / BREAKWATER
—	OYSTER REEF
- - -	GULF INTRACOASTAL WATERWAY (GIWW)



CA-5 - BREAKWATER
TYPICAL SECTION

NOTES:

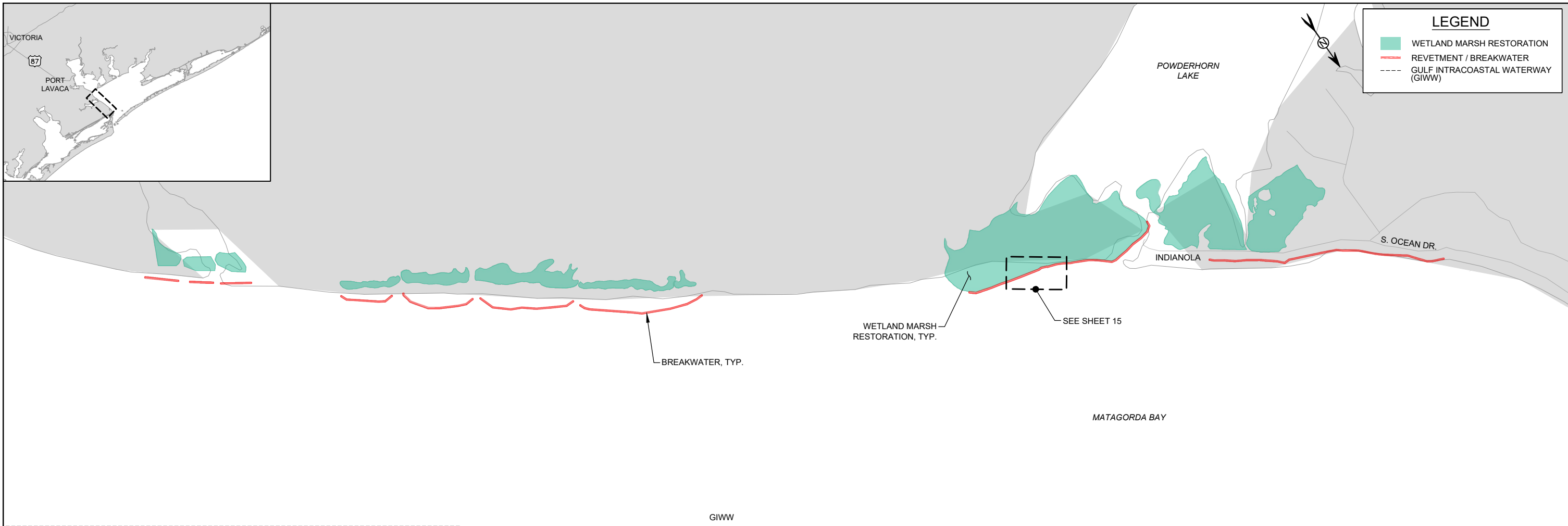
- OYSTER CULCH TO BE PLACED WITHIN OYSTER REEF TEMPLATE. FINAL ELEVATION AND SLOPES OF OYSTER CULCH PLACEMENT TO BE DETERMINED DURING FINAL DESIGN.
- ALL ELEVATIONS IN FEET NAVD88.
- VARY SLOPE OF BREAKWATER TOE SO THAT STONE IS PLACED WITHIN THE 46.0' WIDE BREAKWATER TEMPLATE.
- DATUMS FROM NOAA GAGE 8773037 SEADRIFT, TX

CA-5: KELLER BAY RESTORATION

COASTAL TEXAS PROTECTION AND RESTORATION FEASIBILITY STUDY

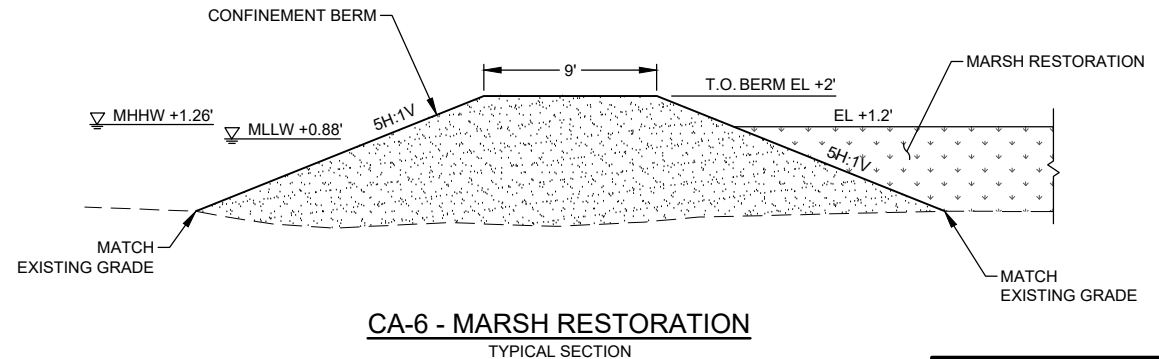
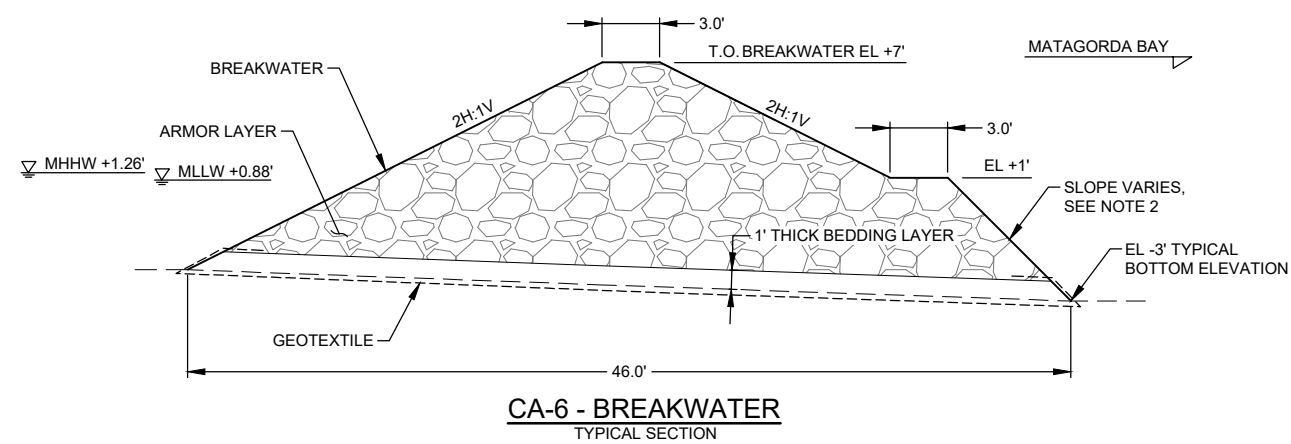
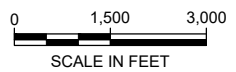
U.S. ARMY ENGINEER DISTRICT, GALVESTON, TEXAS

ENGINEERING APPENDIX
DATED:
JULY 28, 2020
MOTT MACDONALD



LEGEND

- WETLAND MARSH RESTORATION
- REVETMENT / BREAKWATER
- GULF INTRACOASTAL WATERWAY (GIWW)



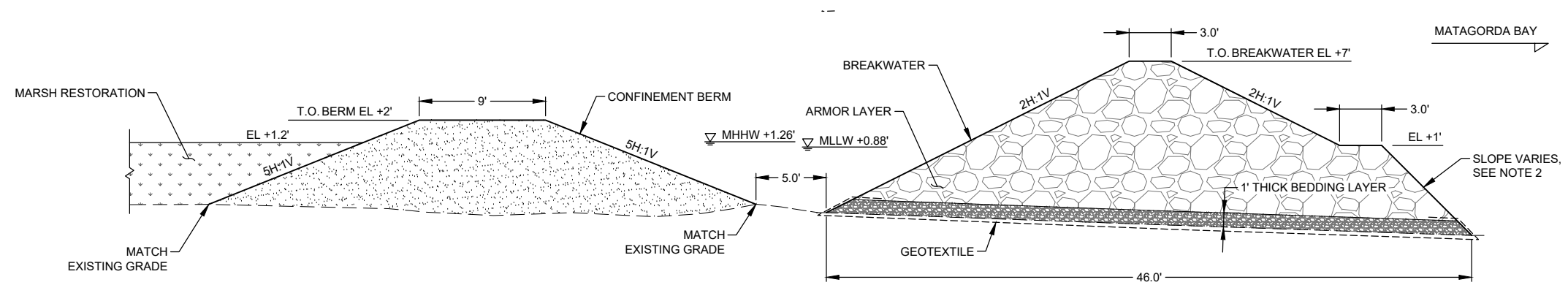
- NOTES:**
1. ALL ELEVATIONS IN FEET NAVD88.
 2. VARY SLOPE OF BREAKWATER TOE SO THAT STONE IS PLACED WITHIN THE 46.0' WIDE BREAKWATER TEMPLATE.
 3. DATUMS FROM NOAA GAGE 8773037 SEADRIFT, TX

CA-6: POWDERHORN SHORELINE PROTECTION & WETLAND RESTORATION

COASTAL TEXAS PROTECTION AND RESTORATION FEASIBILITY STUDY

U.S. ARMY ENGINEER DISTRICT, GALVESTON, TEXAS

ENGINEERING APPENDIX
DATED:
JULY 28, 2020
MOTT MACDONALD



G CA-6: COMBINED BREAKWATER & MARSH RESTORATION
TYPICAL SECTION

NOTES:

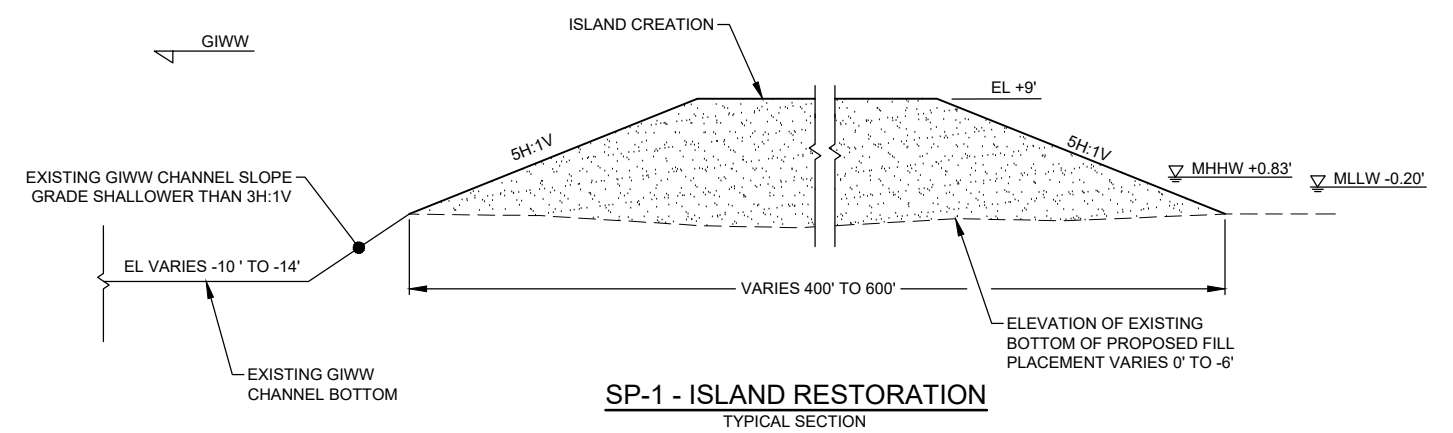
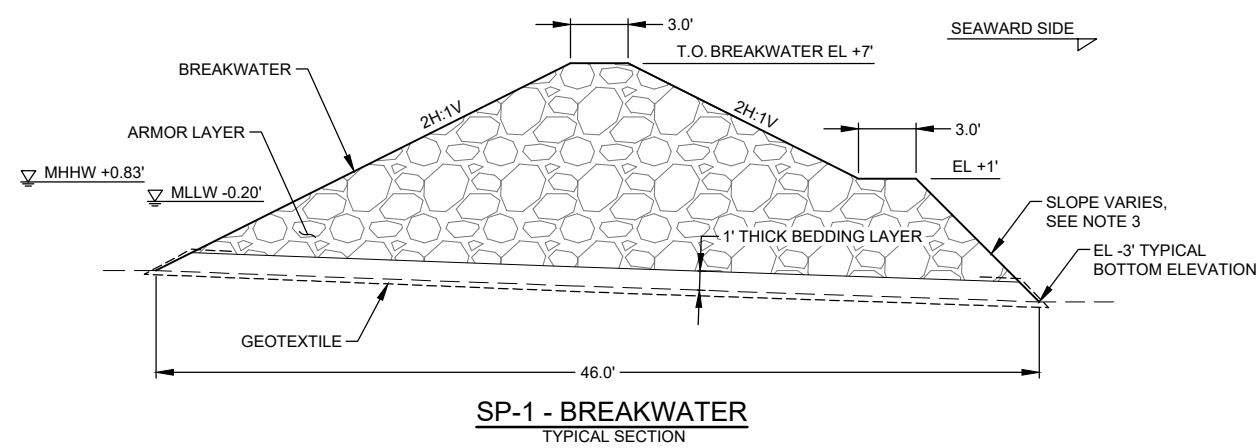
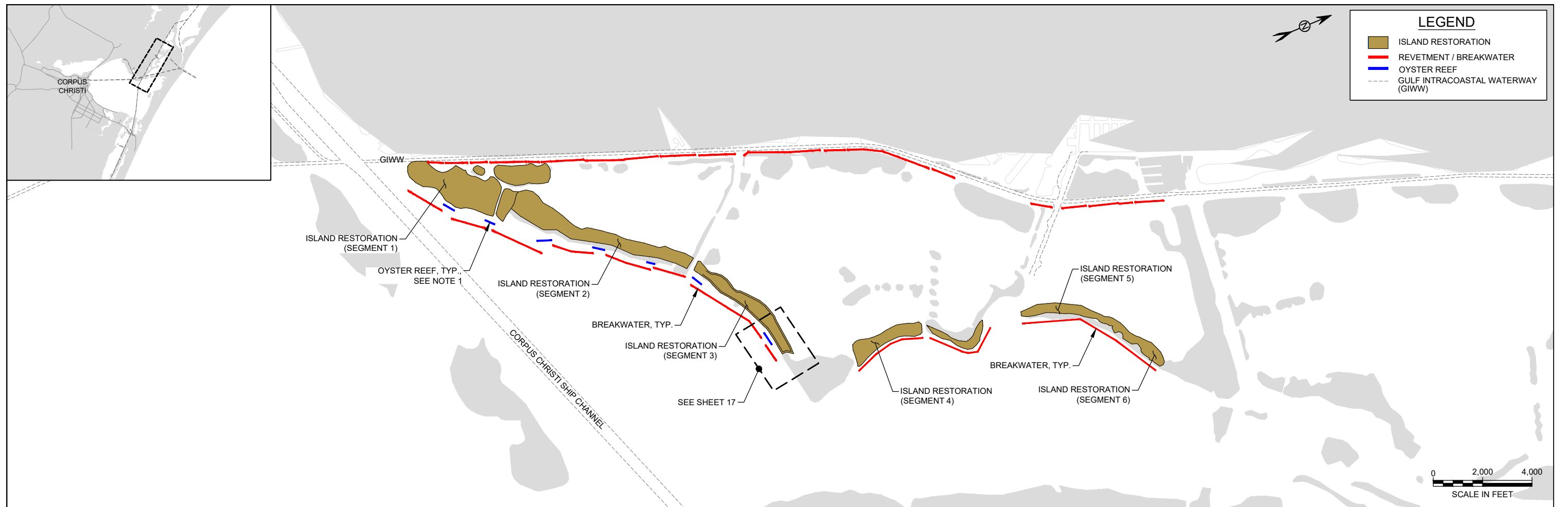
1. ALL ELEVATIONS IN FEET NAVD88.
2. VARY SLOPE OF BREAKWATER TOE SO THAT STONE IS PLACED WITHIN THE 46.0' WIDE BREAKWATER TEMPLATE.
3. DATUMS FROM NOAA GAGE 8773037 SEADRIFT, TX

CA-6: POWDERHORN SHORELINE PROTECTION & WETLAND RESTORATION

COASTAL TEXAS PROTECTION AND RESTORATION FEASIBILITY STUDY

U.S. ARMY ENGINEER DISTRICT, GALVESTON, TEXAS

ENGINEERING APPENDIX
DATED:
JULY 28, 2020
MOTT MACDONALD



NOTES:

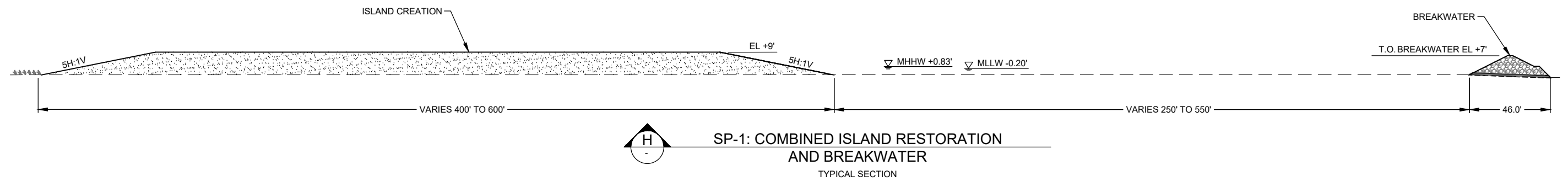
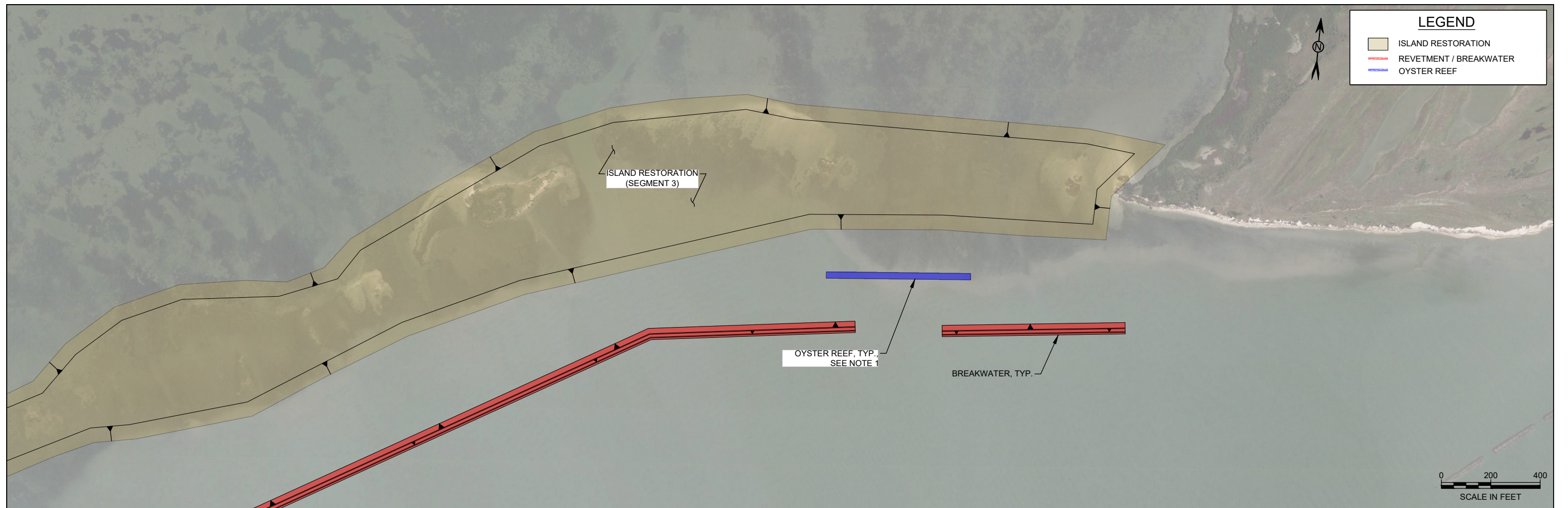
- OYSTER CULCH TO BE PLACED WITHIN OYSTER REEF TEMPLATE. FINAL ELEVATION AND SLOPES OF OYSTER CULCH PLACEMENT TO BE DETERMINED DURING FINAL DESIGN.
- ALL ELEVATIONS IN FEET NAVD88.
- VARY SLOPE OF BREAKWATER TOE SO THAT STONE IS PLACED WITHIN THE 46.0' WIDE BREAKWATER TEMPLATE.
- DATUMS FROM NOAA GAGE 8775237, PORT ARANSAS TX

SP-1: REDFISH BAY PROTECTION & ENHANCEMENT

COASTAL TEXAS PROTECTION AND RESTORATION FEASIBILITY STUDY

U.S. ARMY ENGINEER DISTRICT, GALVESTON, TEXAS

ENGINEERING APPENDIX
 DATED:
 JULY 28, 2020
 MOTT MACDONALD



NOTES:

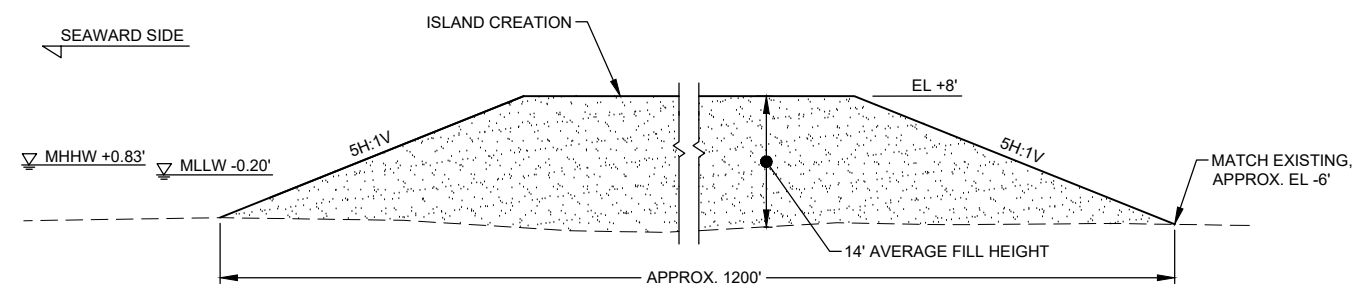
1. OYSTER CULCH TO BE PLACED WITHIN OYSTER REEF TEMPLATE. FINAL ELEVATION AND SLOPES OF OYSTER CULCH PLACEMENT TO BE DETERMINED DURING FINAL DESIGN.
2. ALL ELEVATIONS IN FEET NAVD88.
3. VARY SLOPE OF BREAKWATER TOE SO THAT STONE IS PLACED WITHIN THE 46.0' WIDE BREAKWATER TEMPLATE.
4. DATUMS FROM NOAA GAGE 8775237, PORT ARANSAS TX

SP-1: REDFISH BAY PROTECTION & ENHANCEMENT

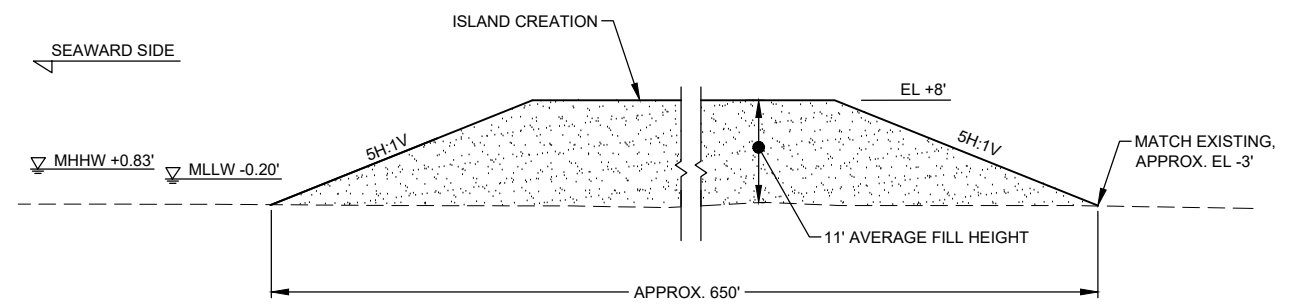
COASTAL TEXAS PROTECTION AND RESTORATION FEASIBILITY STUDY

U.S. ARMY ENGINEER DISTRICT, GALVESTON, TEXAS

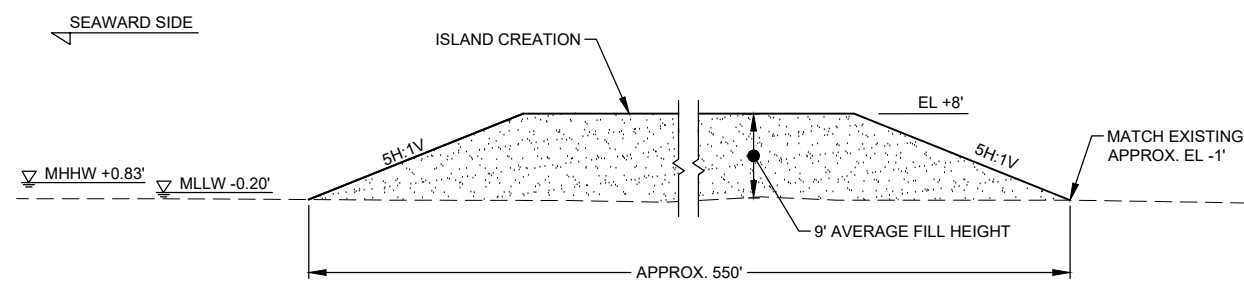
ENGINEERING APPENDIX
 DATED:
 JULY 28, 2020
 MOTT MACDONALD



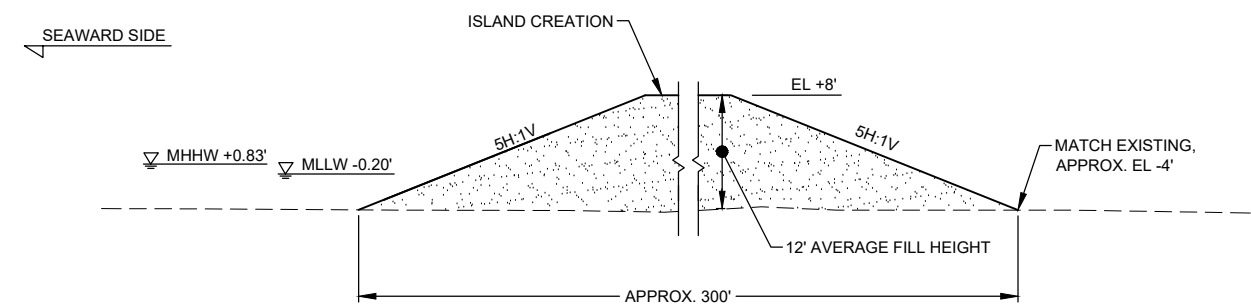
SP-1 - ISLAND RESTORATION (SEGMENT 1)
TYPICAL SECTION



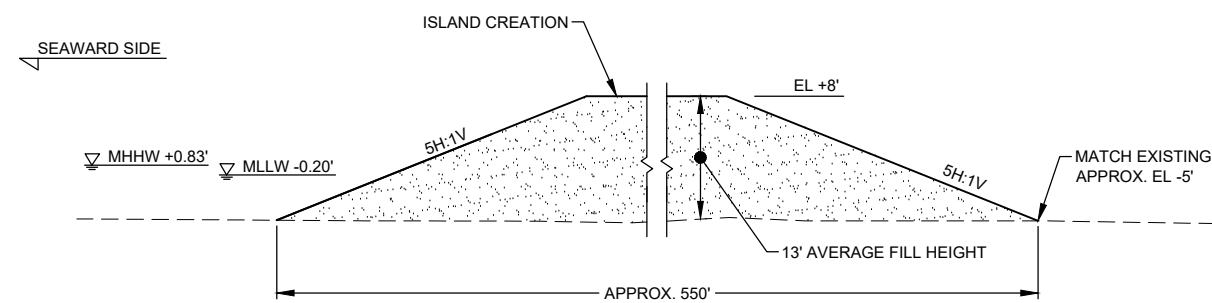
SP-1 - ISLAND RESTORATION (SEGMENT 4)
TYPICAL SECTION



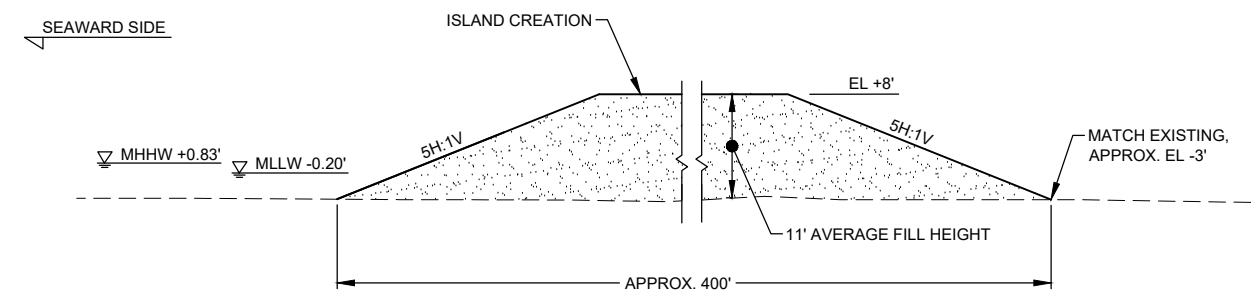
SP-1 - ISLAND RESTORATION (SEGMENT 2)
TYPICAL SECTION



SP-1 - ISLAND RESTORATION (SEGMENT 5)
TYPICAL SECTION



SP-1 - ISLAND RESTORATION (SEGMENT 3)
TYPICAL SECTION

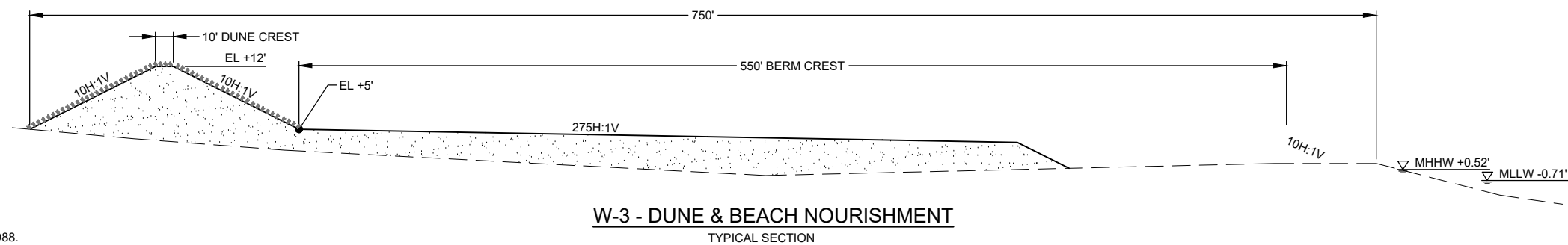
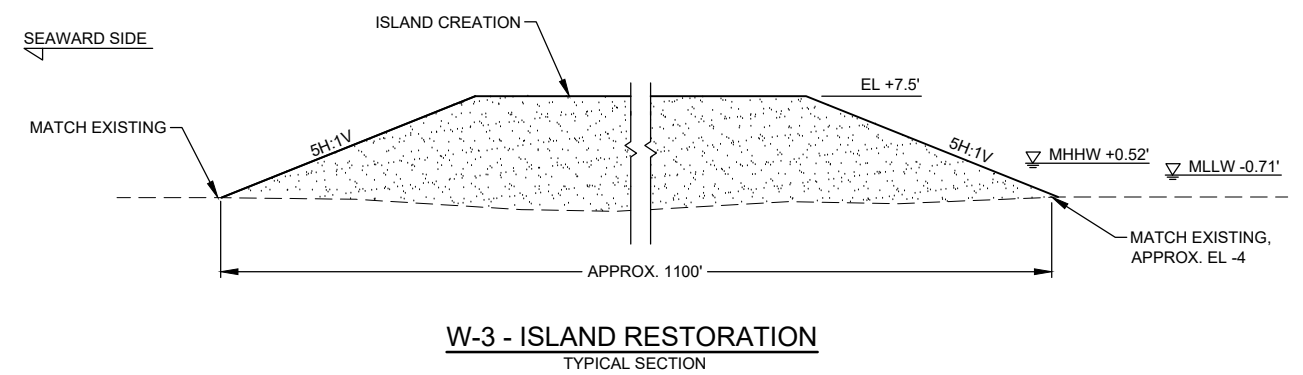
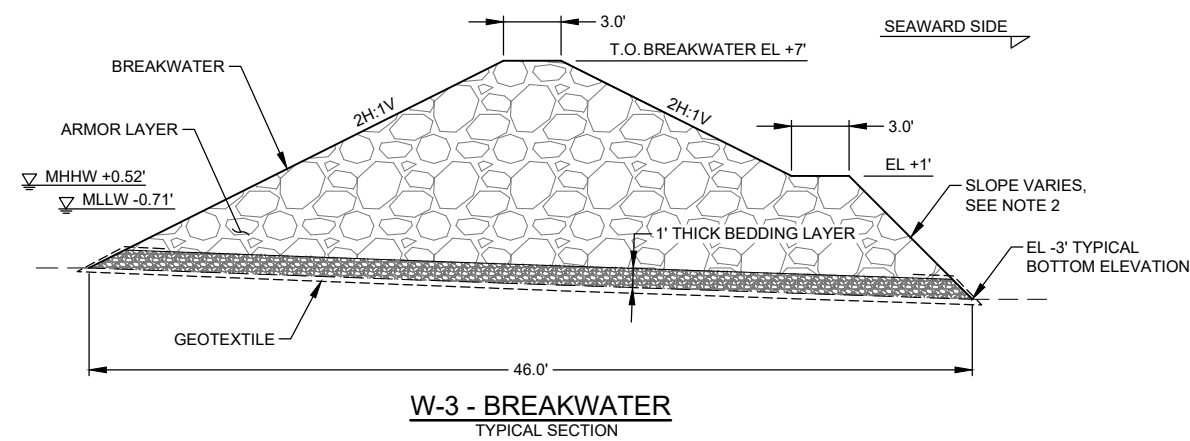
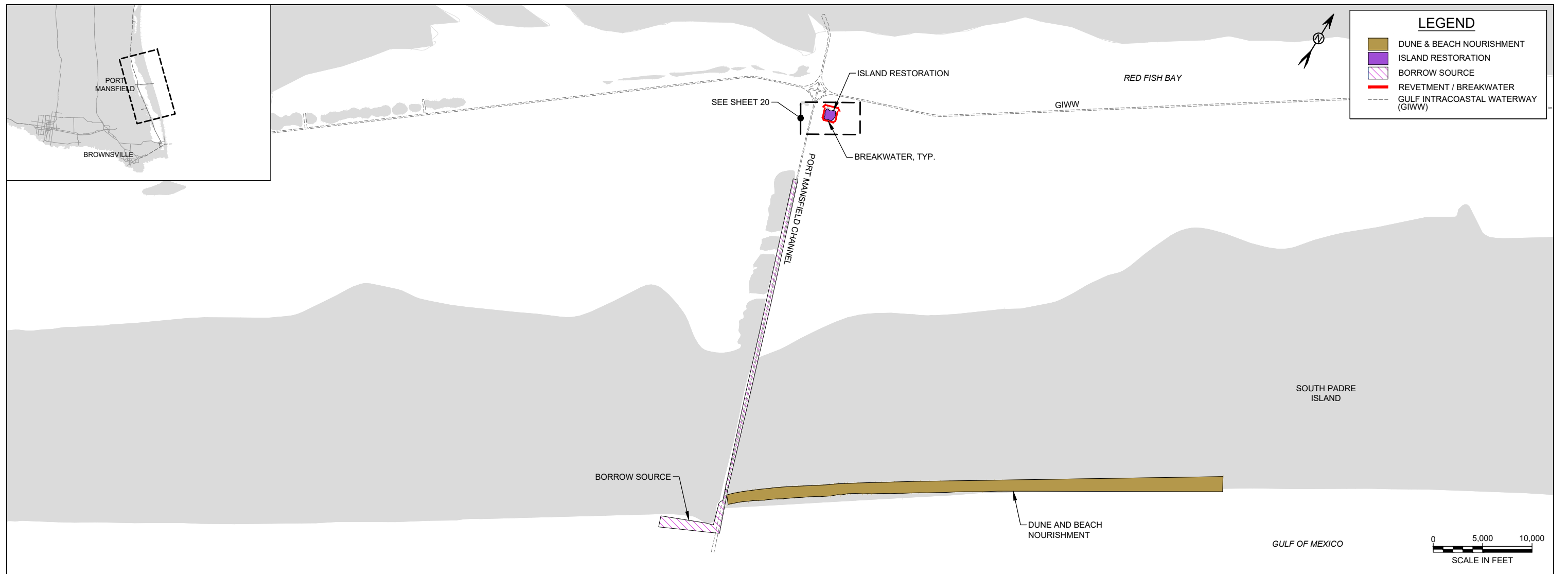


SP-1 - ISLAND RESTORATION (SEGMENT 6)
TYPICAL SECTION

NOTES:

1. ALL ELEVATIONS IN FEET NAVD88.
2. DATUMS FROM NOAA GAGE 8775237, PORT ARANSAS TX

<p>SP-1: REDFISH BAY PROTECTION & ENHANCEMENT</p> <p>COASTAL TEXAS PROTECTION AND RESTORATION FEASIBILITY STUDY</p> <p>U.S. ARMY ENGINEER DISTRICT, GALVESTON, TEXAS</p> <p>ENGINEERING APPENDIX</p> <p>DATED: JULY 28, 2020</p> <p>MOTT MACDONALD</p>
--



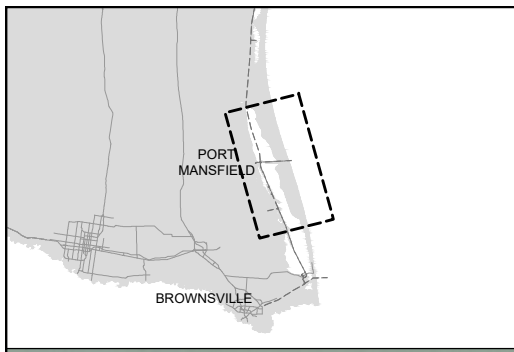
NOTES:

1. ALL ELEVATIONS IN FEET NAVD88.
2. VARY SLOPE OF BREAKWATER TOE SO THAT STONE IS PLACED WITHIN THE 46.0' WIDE BREAKWATER TEMPLATE.
3. DATUMS FROM NOAA GAGE 8779770, PORT ISABEL TX

W-3: PORT MANSFIELD CHANNEL, ISLAND ROOKERY & HYDROLOGIC RESTORATION
COASTAL TEXAS PROTECTION AND RESTORATION FEASIBILITY STUDY

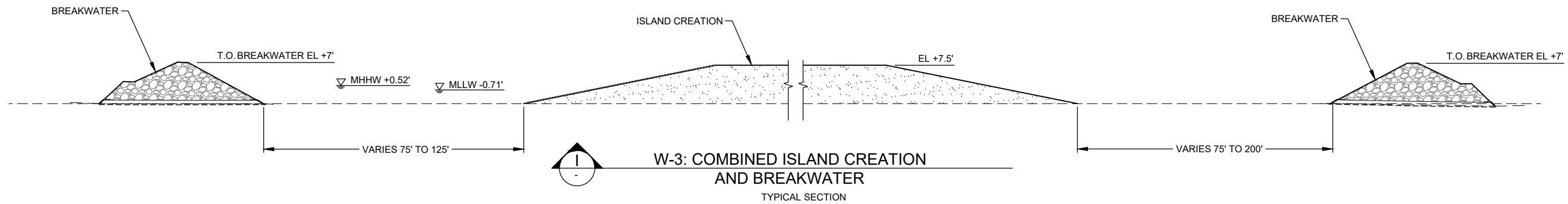
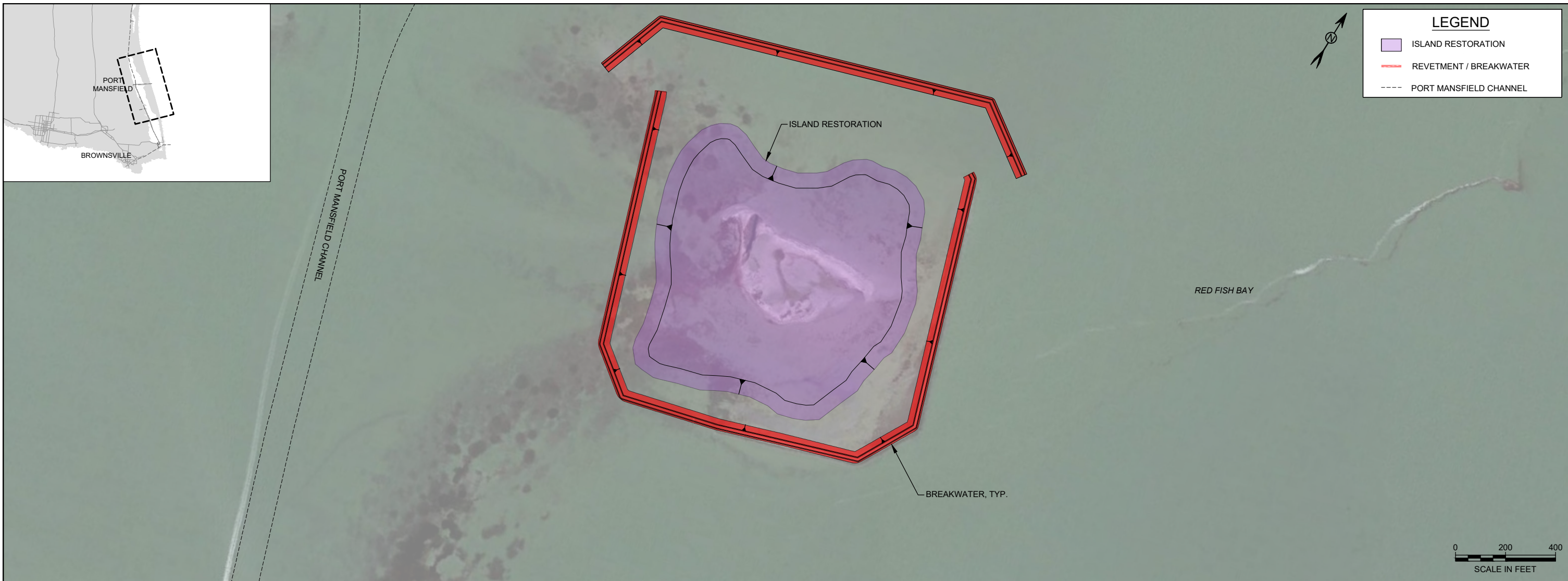
U.S. ARMY ENGINEER DISTRICT, GALVESTON, TEXAS

ENGINEERING APPENDIX
DATED:
JULY 28, 2020
MOTT MACDONALD



LEGEND

- ISLAND RESTORATION
- REVETMENT / BREAKWATER
- PORT MANSFIELD CHANNEL



NOTES:

1. ALL ELEVATIONS IN FEET NAVD88.
2. VARY SLOPE OF BREAKWATER TOE SO THAT STONE IS PLACED WITHIN THE 46.0' WIDE BREAKWATER TEMPLATE.
3. DATUMS FROM NOAA GAGE 8779770, PORT ISABEL TX

W-3: PORT MANSFIELD CHANNEL, ISLAND
ROOKERY & HYDROLOGIC RESTORATION

**COASTAL TEXAS PROTECTION AND
RESTORATION FEASIBILITY STUDY**

U.S. ARMY ENGINEER DISTRICT, GALVESTON, TEXAS

ENGINEERING APPENDIX
DATED:
JULY 28, 2020
MOTT MACDONALD