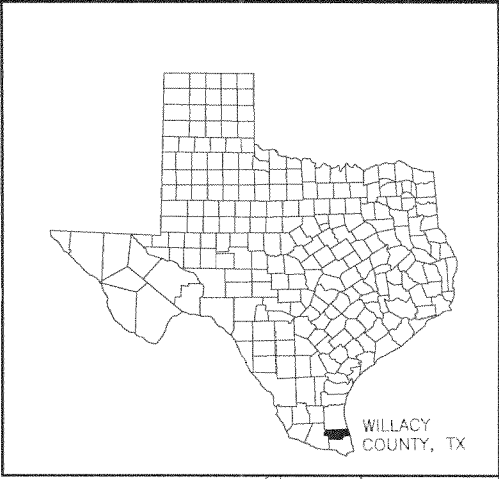


20,000 0 20,000



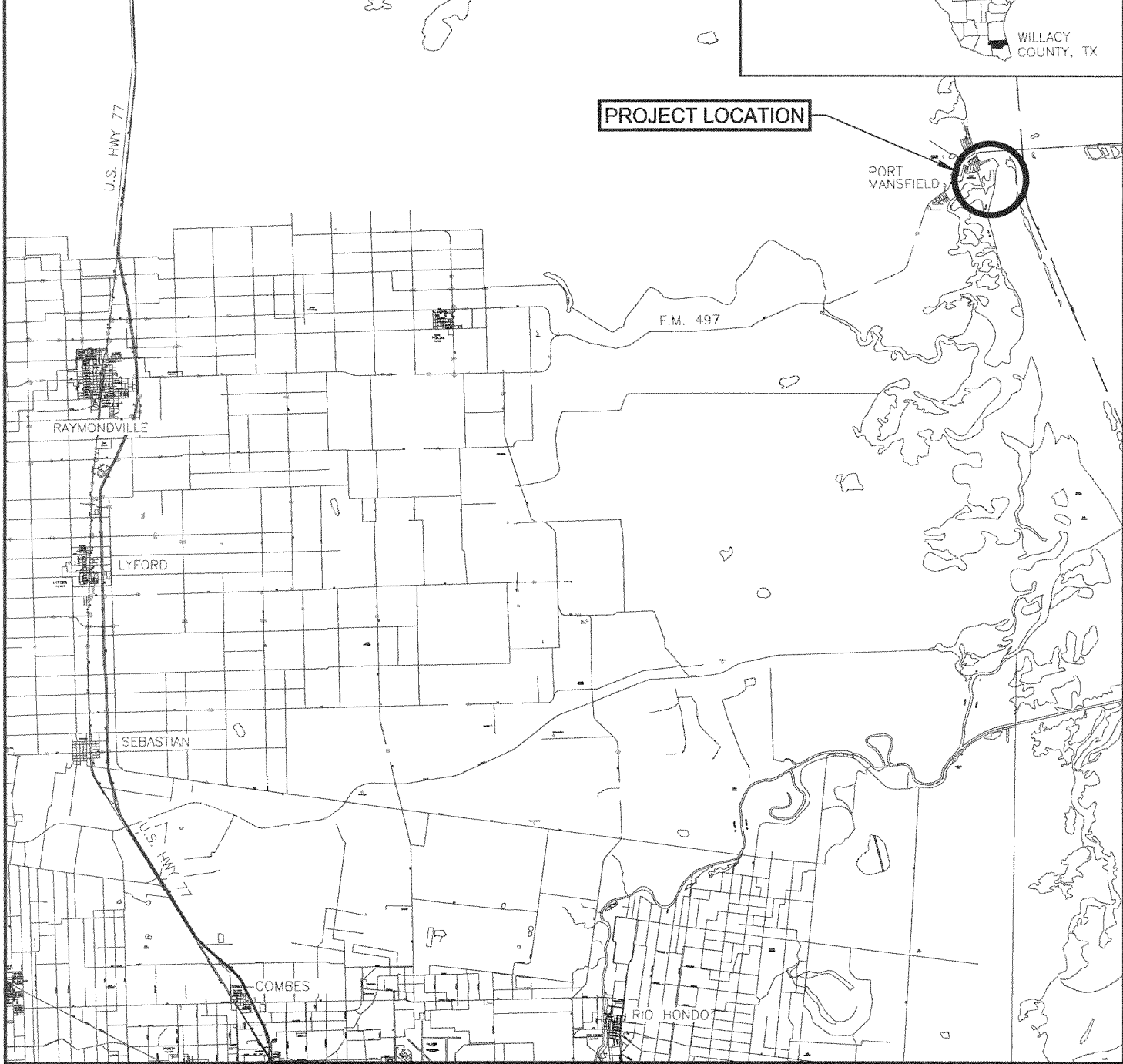
GRAPHIC SCALE IN FEET



WILLACY COUNTY, TX

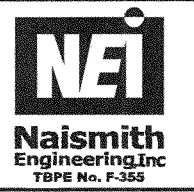
PROJECT LOCATION

PORT MANSFIELD



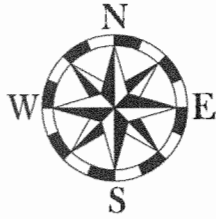
Drawn By : TS
 Checked By : JG
 Approved By : DES
 Project No. : 8713
 Scale : AS SHOWN
 Date : 08/2012
 Revision : 0

OFFICE LOCATION :
 AREA 1
 4501 Gallihar Rd.
 Corpus Christi, Texas 78411
 P.O. Box 3089
 Corpus Christi, Texas 78463
 (361)-814-9900

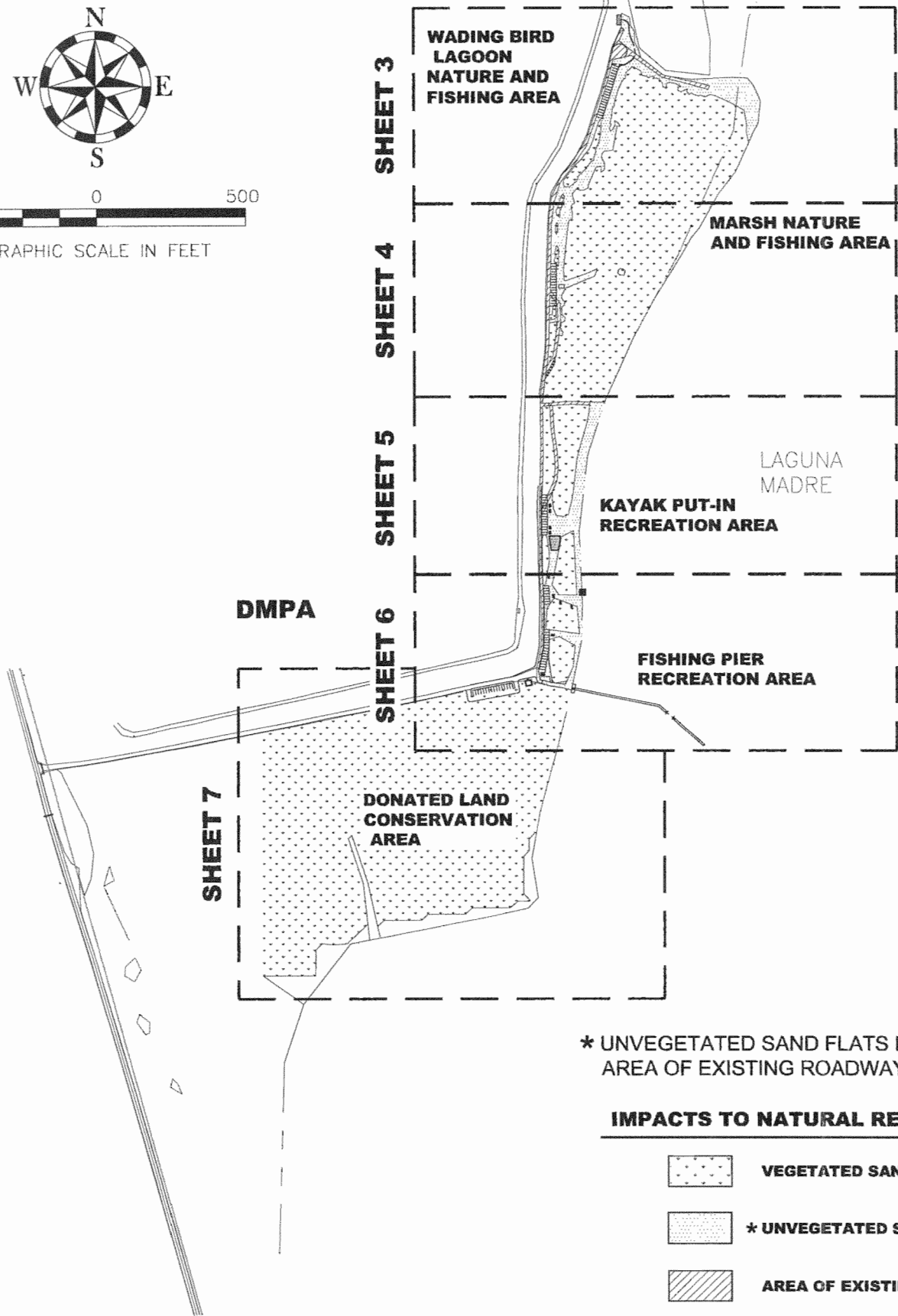


VICINITY MAP
LAGUNA POINT RECREATION AREA
WILLACY COUNTY NAVIGATION DISTRICT
 WILLACY COUNTY, TEXAS

Dwg. File: 8713-LOC
1
 Sheet 1 Of 15

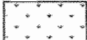




GRAPHIC SCALE IN FEET



* UNVEGETATED SAND FLATS INCLUDES AREA OF EXISTING ROADWAY

IMPACTS TO NATURAL RESOURCES

-  **VEGETATED SAND FLATS**
-  *** UNVEGETATED SAND FLATS**
-  **AREA OF EXISTING ROADWAY**

Drawn By	: TS
Checked By	: JG
Approved By	: DES
Project No.	: 8713
Scale	: AS SHOWN
Date	: 08/2012
Revision	: 0

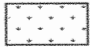
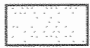



OFFICE LOCATION :
AREA 1
4501 Gollihar Rd.
Corpus Christi, Texas 78411
P.O. Box 3099
Corpus Christi, Texas 78463
(361)-814-9900

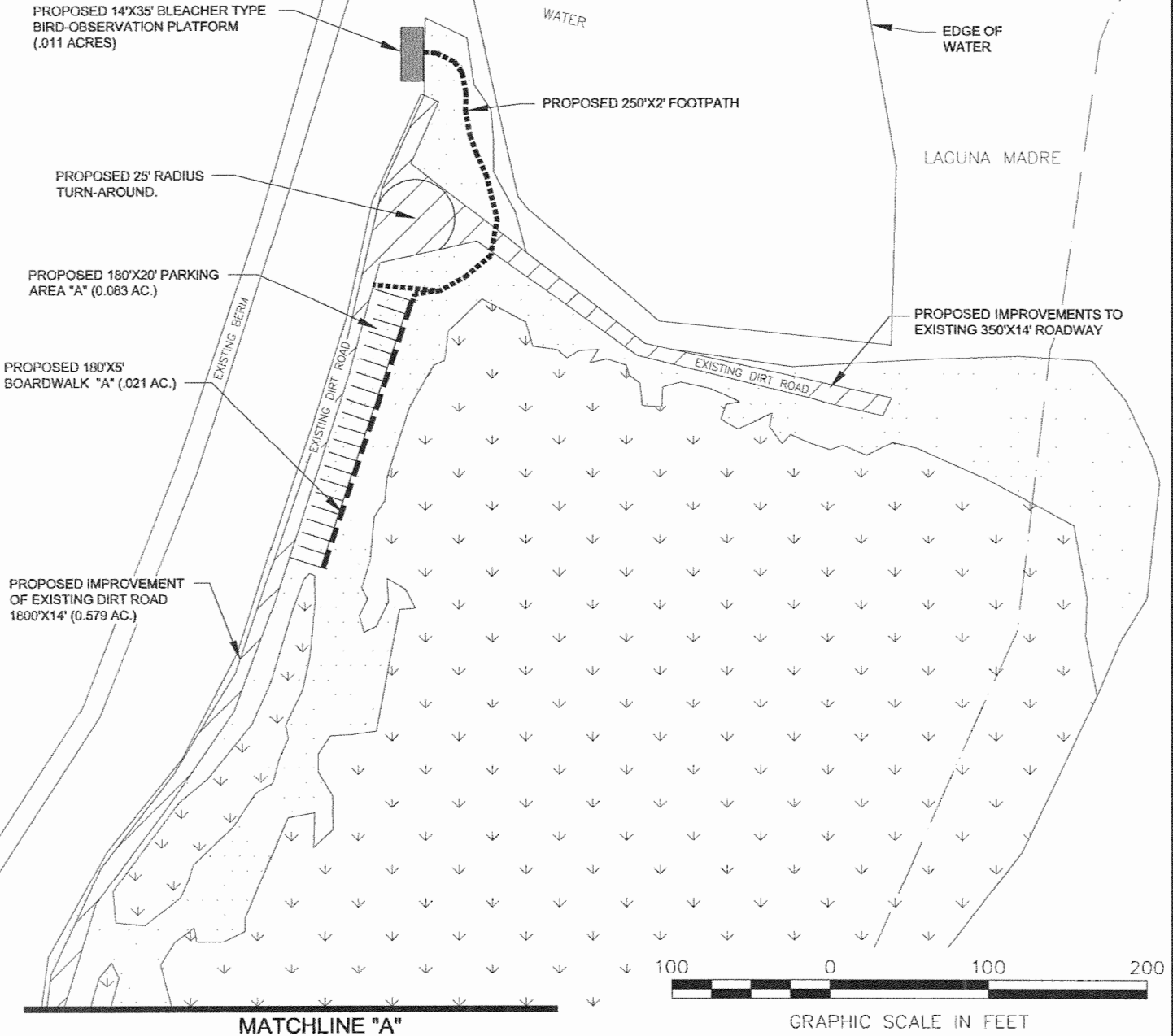
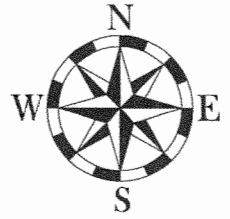


PROJECT AREA / SHEET INDEX
LAGUNA POINT RECREATION AREA
WILLACY COUNTY NAVIGATION DISTRICT
WILLACY COUNTY, TEXAS

Dwg. File: 8713-CALC-A
2
Sheet 2 Of 15

IMPACTS TO NATURAL RESOURCES

-  **VEGETATED SAND FLATS**
-  *** UNVEGETATED SAND FLATS**
-  **AREA OF EXISTING ROADWAY**
-  **BOARDWALK**
-  **FOOTPATH (2' WIDE)**



Drawn By	: TS
Checked By	: JG
Approved By	: DES
Project No.	: 8713
Scale	: AS SHOWN
Date	: 08/2012
Revision	: 0

OFFICE LOCATION :

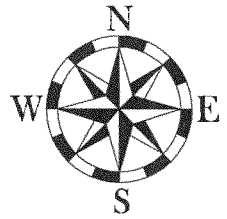
4501 Gollihar Rd.
 Corpus Christi, Texas 78411
 P.O. Box 3099
 Corpus Christi, Texas 78463
 (361)-814-9900



WADING BIRD LAGOON AND FISHING AREA
LAGUNA POINT RECREATION AREA
WILLACY COUNTY NAVIGATION DISTRICT
 WILLACY COUNTY, TEXAS

Dwg. File 8713-CALC-A

3



MATCHLINE "A"

PROPOSED IMPROVEMENT OF EXISTING DIRT ROAD 1800'X14' (0.579 AC.)

EXISTING BERM

EXISTING DIRT ROAD

PROPOSED 144'X20' PARKING AREA "B" (.066 AC.)

PROPOSED 334'X5' BOARDWALK "B" (.038 AC.)

PROPOSED 15'X15' KIOSK (0.005 AC.)

APPROX. LOCATION OF MHW

THIS ROAD TO BE ABANDONED WITH SECURE BARRIERS AT EACH END ALLOWING NATURAL REVEGETATION.

POST AND CABLE BARRIER ON THE ROADSIDE / PARKING AREA PERIMETER OF ALL VEGETATED AND NATURALLY REVEGETATED WETLAND AREAS SEPARATING ROAD, PARKING.

LAGUNA MADRE

IMPACTS TO NATURAL RESOURCES



VEGETATED SAND FLATS



*** UNVEGETATED SAND FLATS**



AREA OF EXISTING ROADWAY



BOARDWALK

MATCHLINE "B"



GRAPHIC SCALE IN FEET

Drawn By	: TS
Checked By	: JG
Approved By	: DES
Project No.	: 8713
Scale	: AS SHOWN
Date	: 08/2012
Revision	: 0

OFFICE LOCATION :

4501 Goliher Rd.
Corpus Christi, Texas 78411
P.O. Box 3099
Corpus Christi, Texas 78463
(361)-814-9900

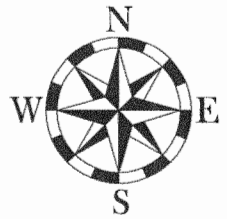


WADING BIRD LAGOON AND FISHING AREA
LAGUNA POINT RECREATION AREA
WILLACY COUNTY NAVIGATION DISTRICT
WILLACY COUNTY, TEXAS

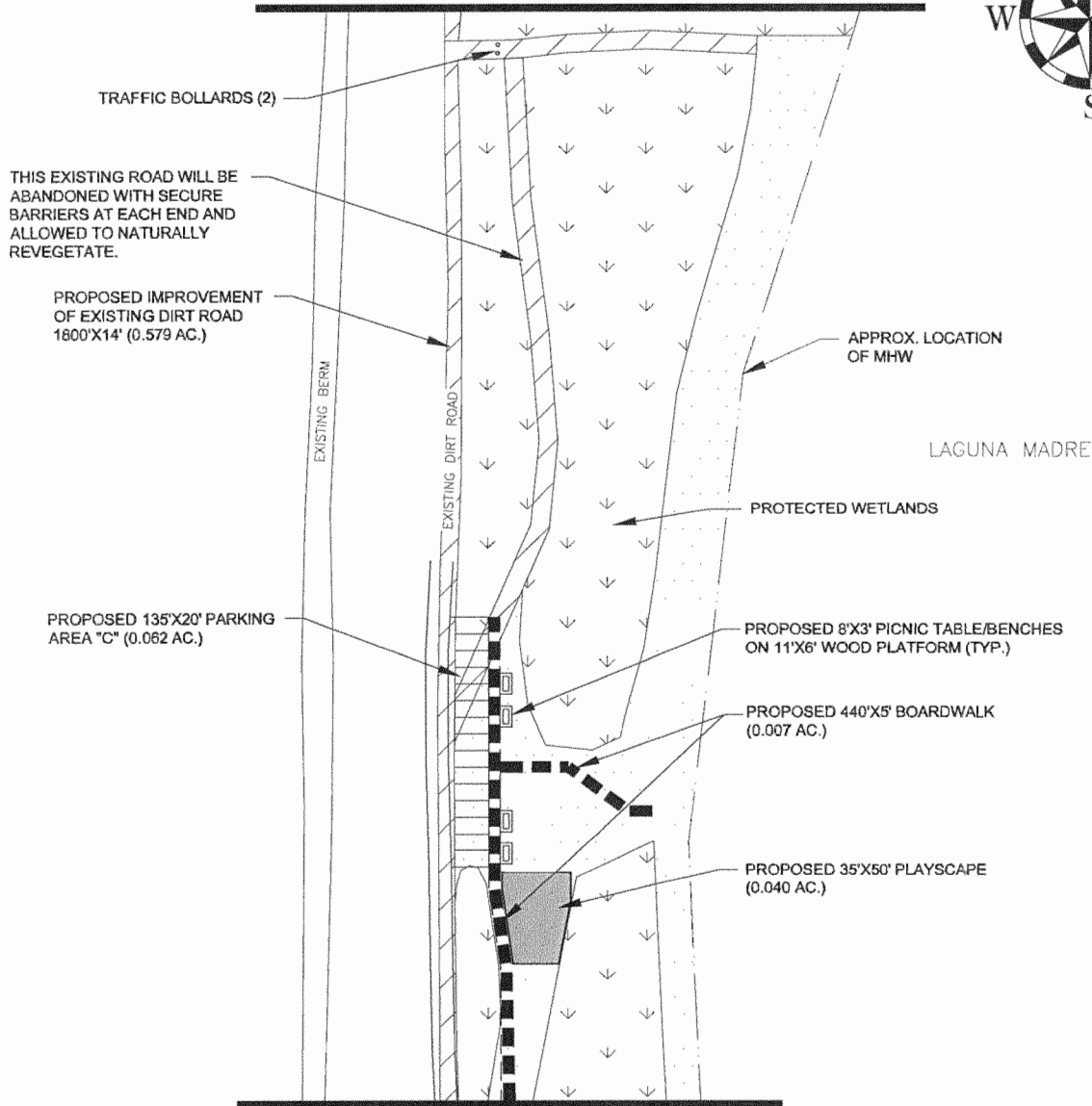
Dwg. File8713-CALC-A

4

Sheet 4 Of 15

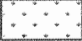




MATCHLINE "B"



MATCHLINE "C"

IMPACTS TO NATURAL RESOURCES

-  **VEGETATED SAND FLATS**
-  *** UNVEGETATED SAND FLATS**
-  **AREA OF EXISTING ROADWAY**



Drawn By	: TS
Checked By	: JG
Approved By	: DES
Project No.	: 8713
Scale	: AS SHOWN
Date	: 08/2012
Revision	: 0

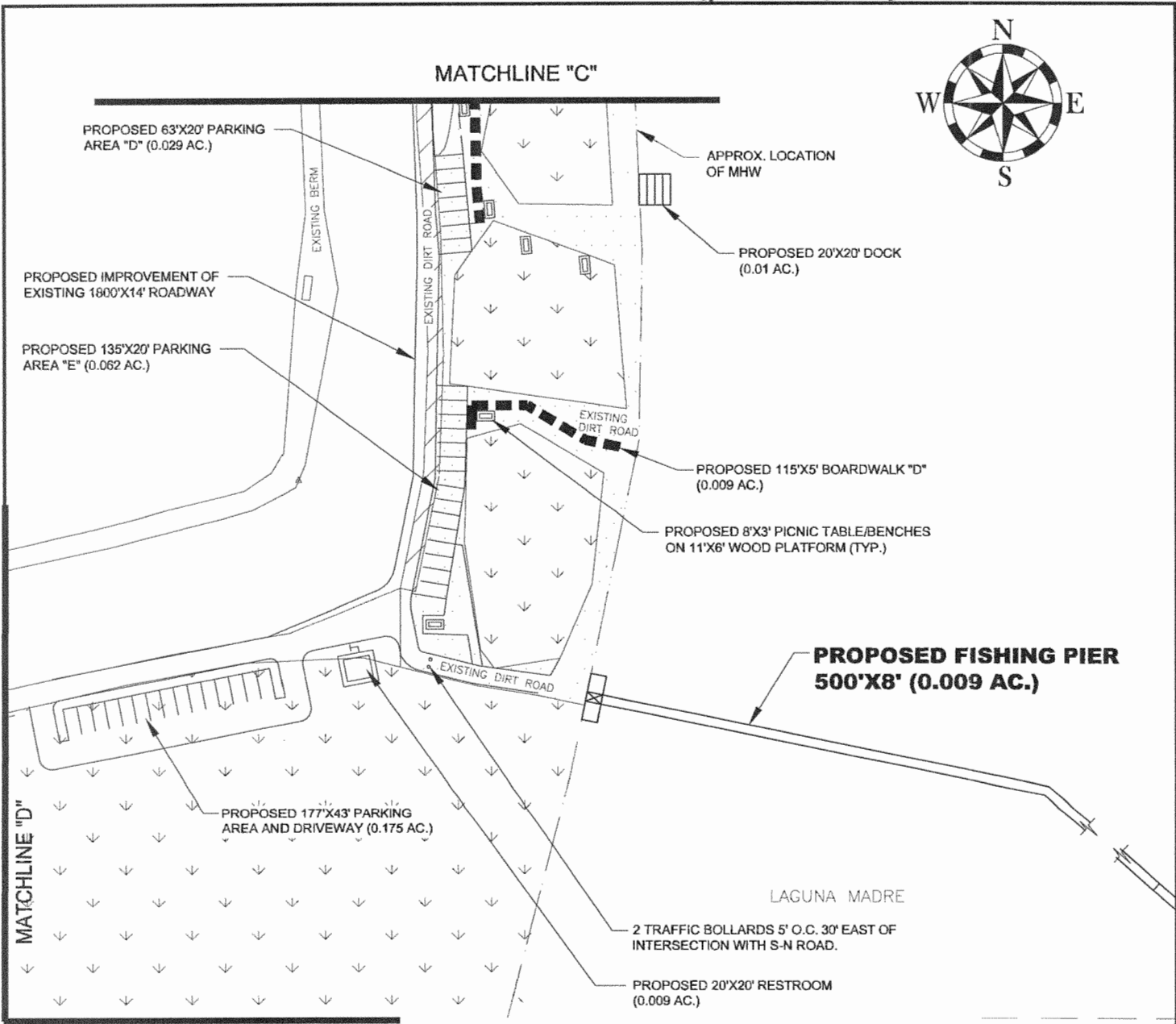
OFFICE LOCATION :

4501 Goliath Rd.
Corpus Christi, Texas 78411
P.O. Box 3099
Corpus Christi, Texas 78463
(361)-814-9900





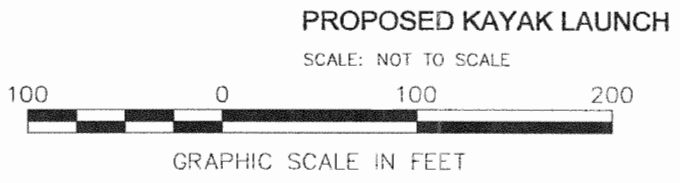
**FISHING PIER, KAYAK, AND
PLAYSCAPE RECREATION AREAS**
LAGUNA POINT RECREATION AREA
WILLACY COUNTY NAVIGATION DISTRICT
WILLACY COUNTY, TEXAS

Dwg. File8713-CALC-A



IMPACTS TO NATURAL RESOURCES

-  **VEGETATED SAND FLATS**
-  *** UNVEGETATED SAND FLATS**
-  **AREA OF EXISTING ROADWAY**
-  **BOARDWALK**

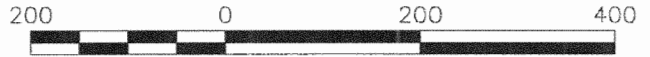


Drawn By	: TS
Checked By	: JG
Approved By	: DES
Project No.	: 6713
Scale	: AS SHOWN
Date	: 08/2012
Revision	: 0

OFFICE LOCATION :
 4501 Gollihar Rd.
 Corpus Christi, Texas 78411
 P.O. Box 3099
 Corpus Christi, Texas 78463
 (361)-814-9900

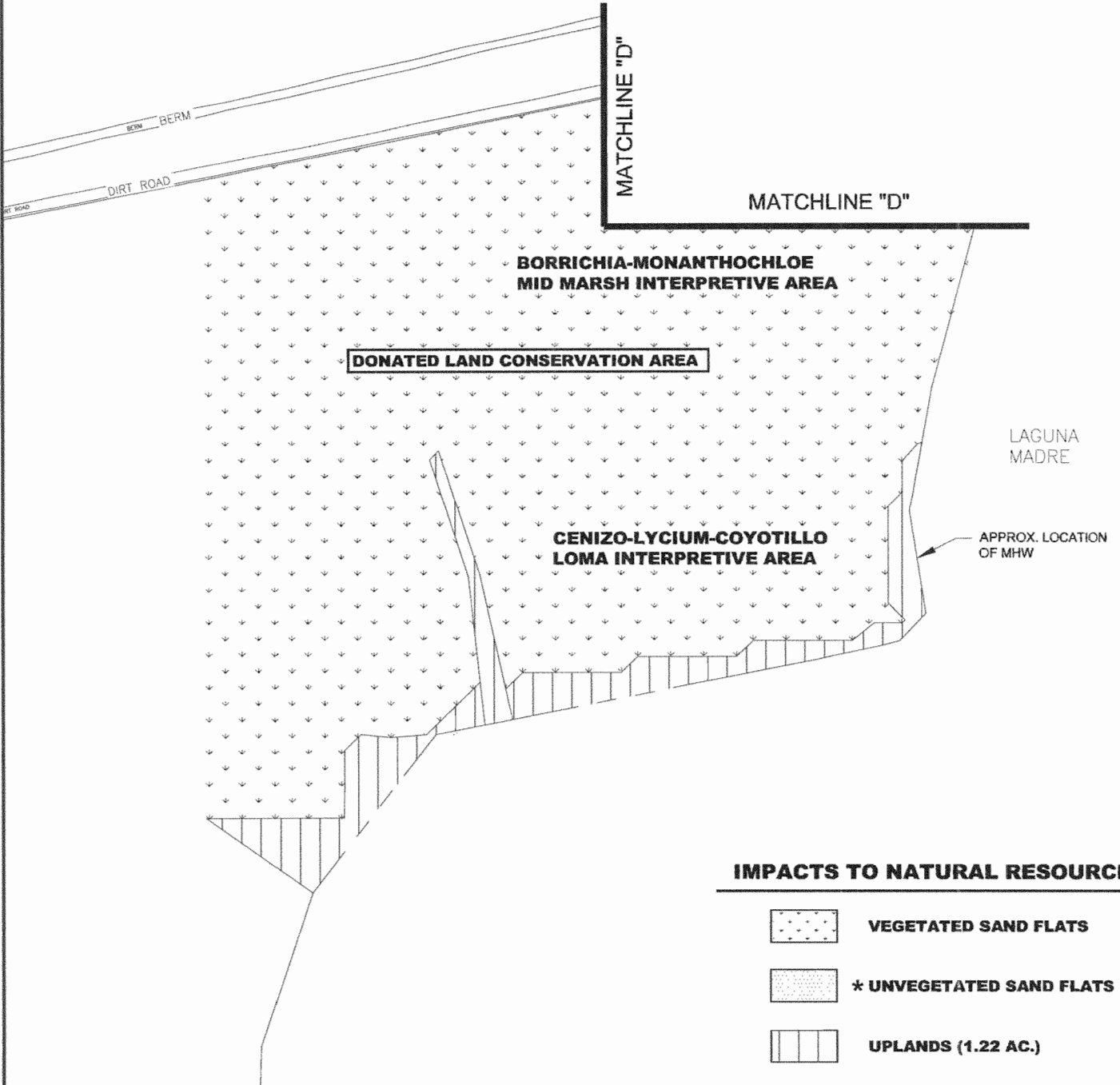


**FISHING PIER, KAYAK, AND
 PLAYScape RECREATION AREAS**
LAGUNA POINT RECREATION AREA
WILLACY COUNTY NAVIGATION DISTRICT
 WILLACY COUNTY, TEXAS



GRAPHIC SCALE IN FEET

**DREDGE MATERIAL
PLACEMENT AREA**



IMPACTS TO NATURAL RESOURCES

-  **VEGETATED SAND FLATS**
-  *** UNVEGETATED SAND FLATS**
-  **UPLANDS (1.22 AC.)**

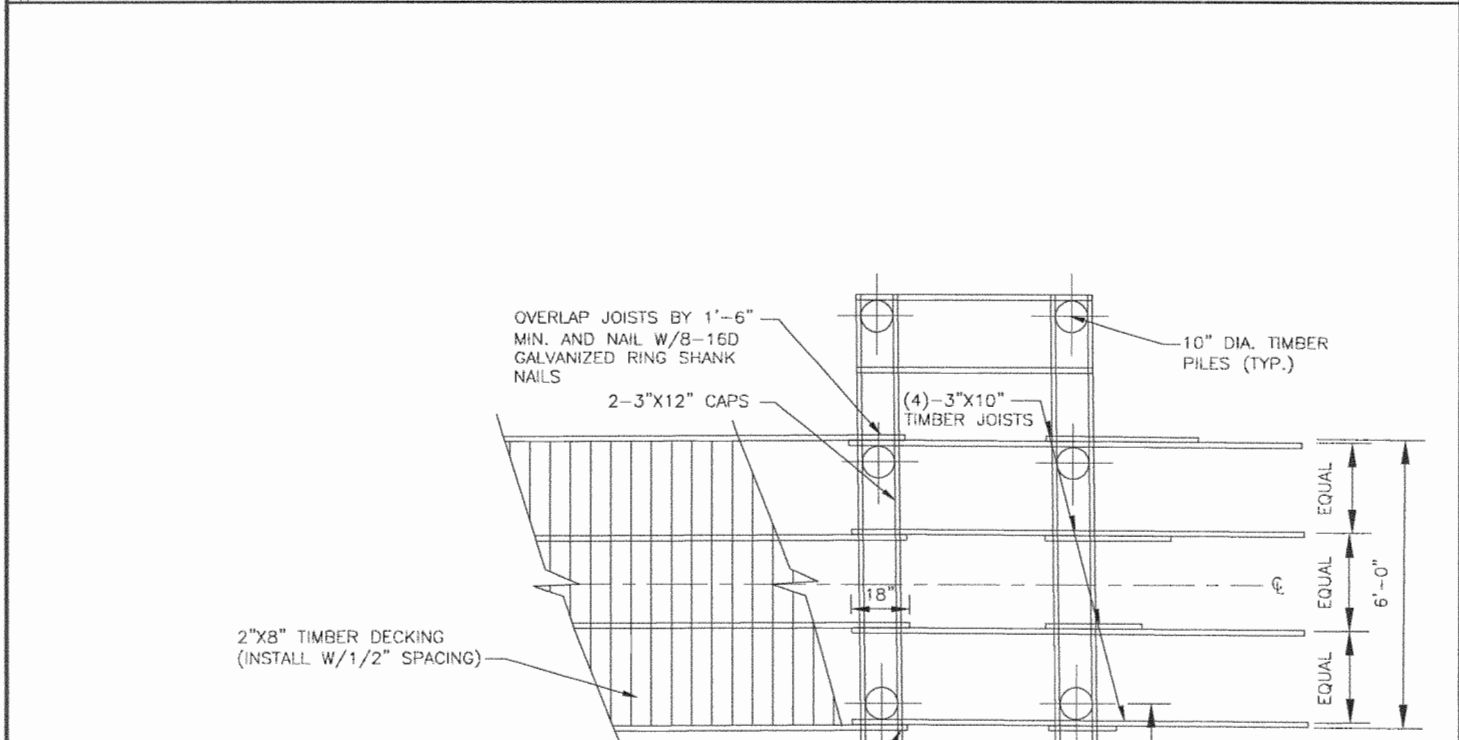
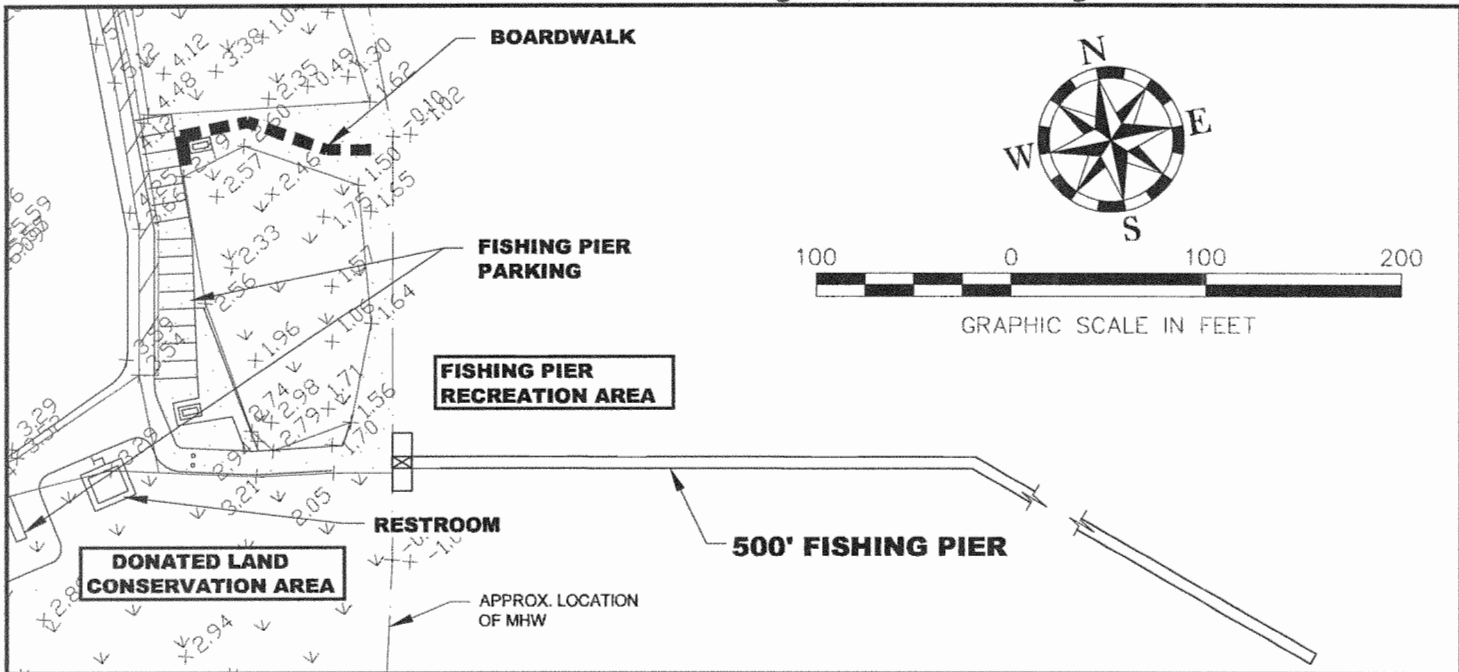
Drawn By : TS
 Checked By : JG
 Approved By : DES
 Project No. : 8713
 Scale : AS SHOWN
 Date : 09/2012
 Revision : 0

OFFICE LOCATION :
 4501 Gollihar Rd.
 Corpus Christi, Texas 78411
 P.O. Box 3099
 Corpus Christi, Texas 78463
 (361)-814-9900

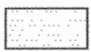


**DONATED LAND
CONSERVATION AREA**
LAGUNA POINT RECREATION AREA
WILLACY COUNTY NAVIGATION DISTRICT
 WILLACY COUNTY, TEXAS

Dwg. File 8713-CALC-A



IMPACTS TO NATURAL RESOURCES

-  **VEGETATED SAND FLATS**
-  *** UNVEGETATED SAND FLATS**
-  **AREA OF MARKED ROAD**
-  **BOARDWALK**

PARTIAL PLAN - WOOD PIER
SCALE: 1/4" = 1'-0"

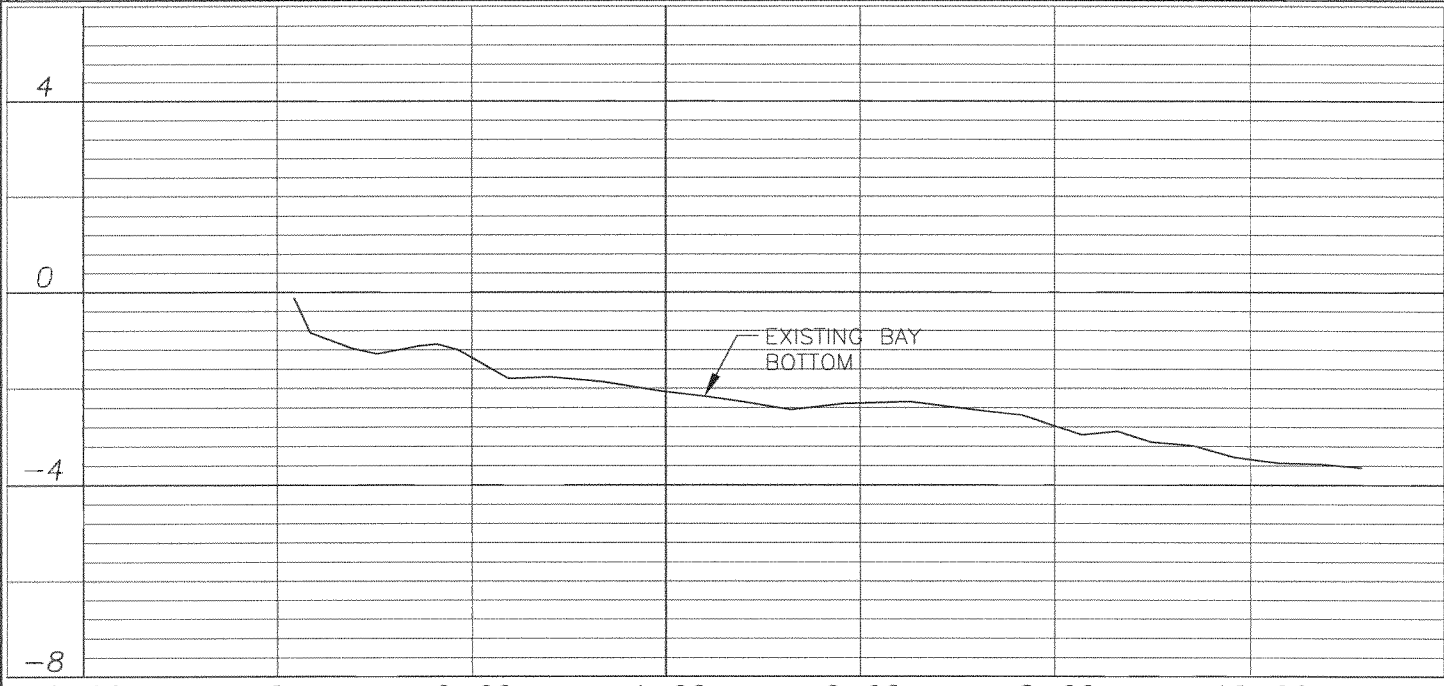
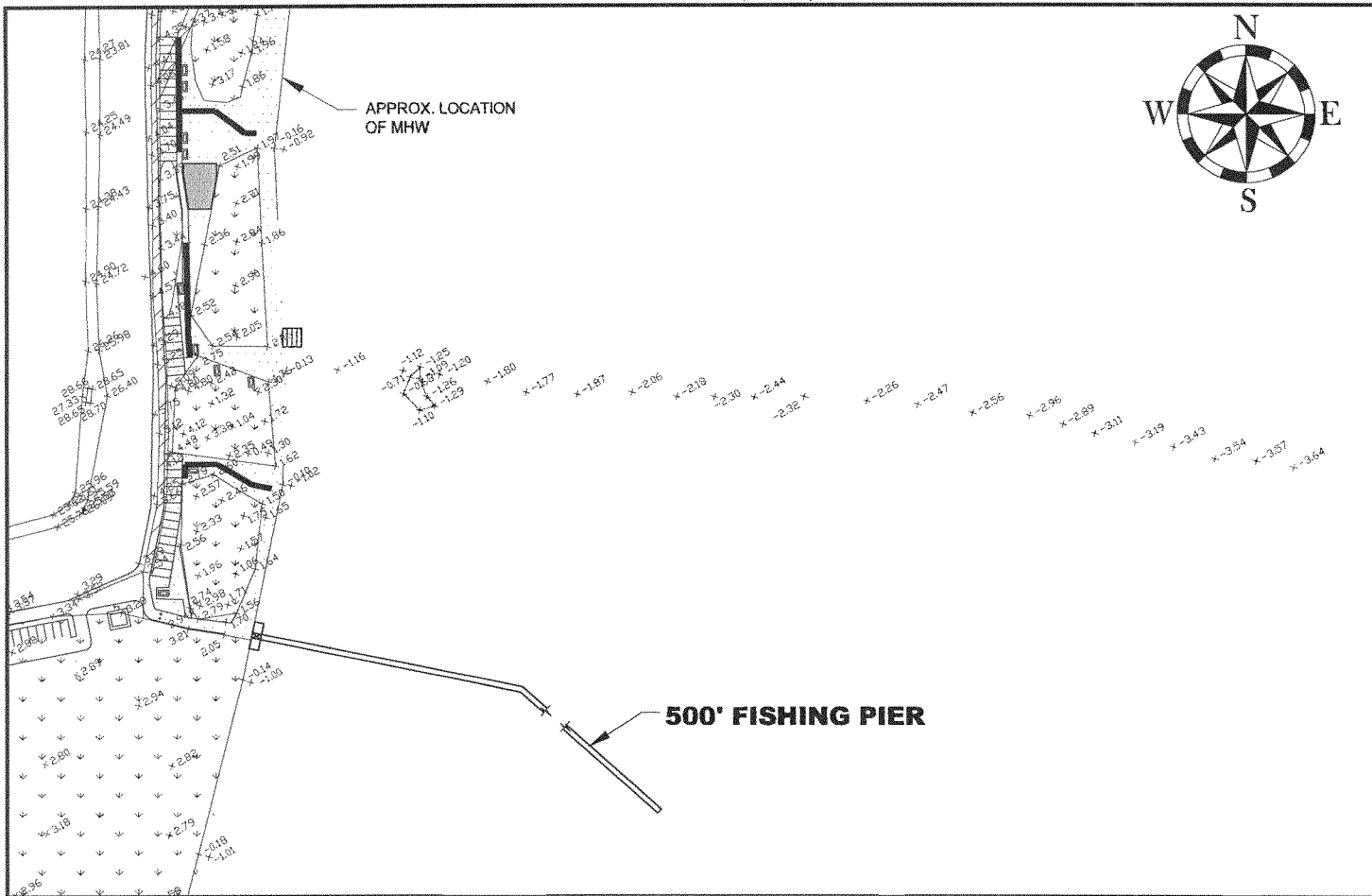
Drawn By : TS
Checked By : JG
Approved By : DES
Project No. : 8713
Scale : AS SHOWN
Date : 08/2012
Revision : 0

OFFICE LOCATION :
4501 Gollihar Rd.
Corpus Christi, Texas 78411
P.O. Box 3099
Corpus Christi, Texas 78463
(361)-814-9900



FISHING PIER PLAN & PROFILE
LAGUNA POINT RECREATION AREA
WILLACY COUNTY NAVIGATION DISTRICT
WILLACY COUNTY, TEXAS

Dwg. File: 8713-CALC-A
8
Sheet 8 Of 15



SCALE: 1" = 200' (HORIZONTAL)
 1" = 4' (VERTICAL)

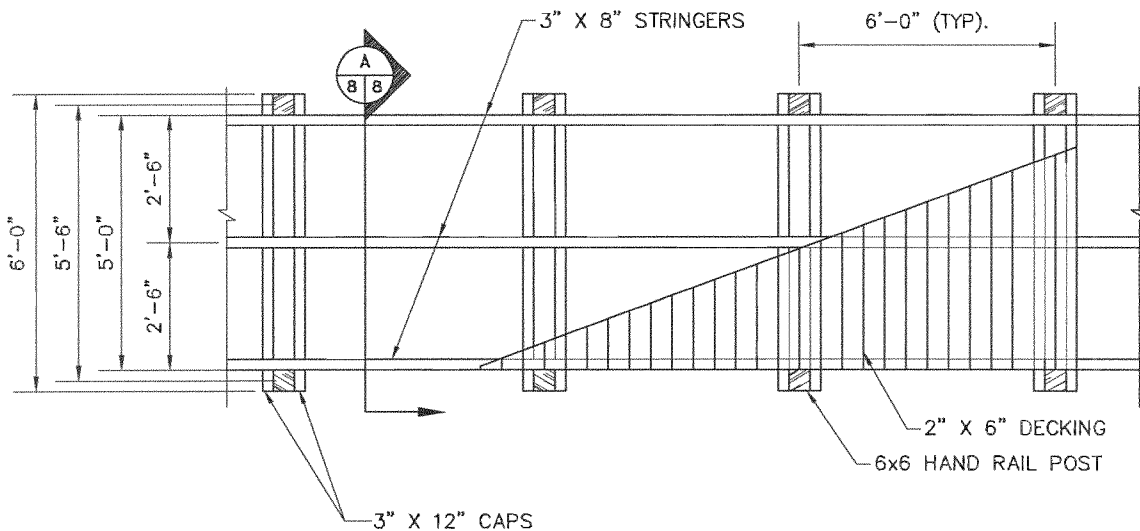
Drawn By : TS
 Checked By : JG
 Approved By : DES
 Project No. : 8713
 Scale : AS SHOWN
 Date : 09/2012
 Revision : 0

OFFICE LOCATION :
 4501 Goliath Rd.
 Corpus Christi, Texas 78411
 P.O. Box 3099
 Corpus Christi, Texas 78463
 (361)-814-9900

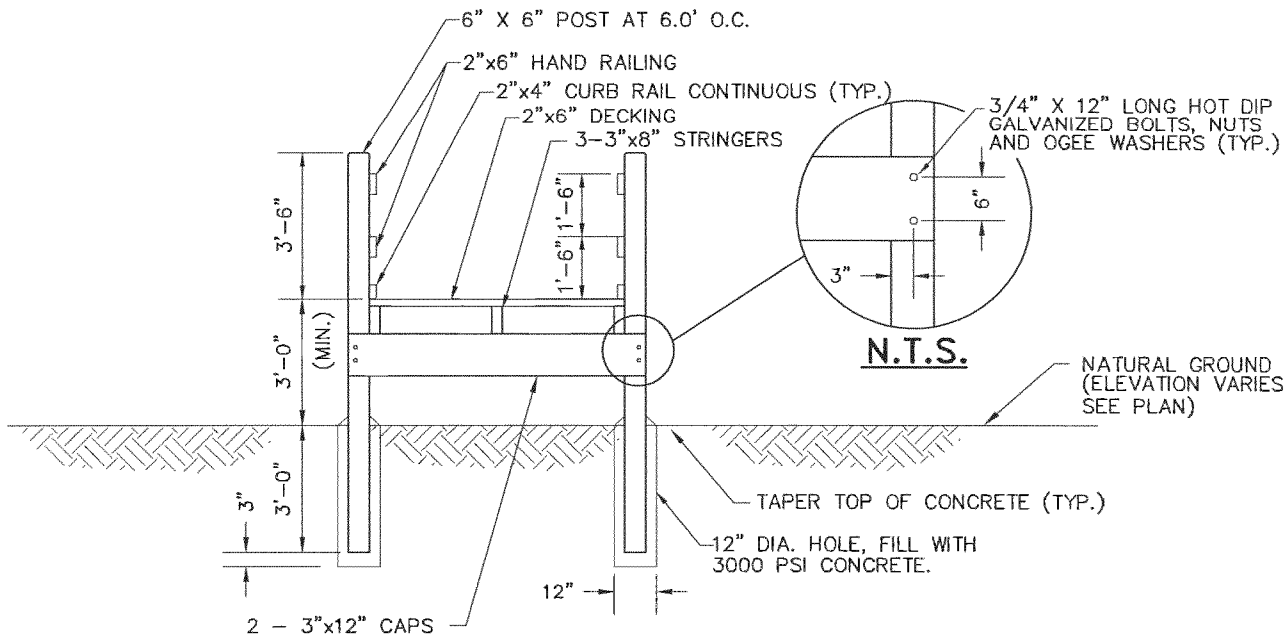


FISHING PIER PLAN AND BOTTOM PROFILE
LAGUNA POINT RECREATION AREA
WILLACY COUNTY NAVIGATION DISTRICT
 WILLACY COUNTY, TEXAS

Dwg. File: 8713-EXHBT.3
9
 Sheet 9 Of 15



1
8 | 8
BOARDWALK PLAN DETAIL
SCALE: N.T.S.



A
8 | 8
BOARDWALK SECTION
SCALE: N.T.S.

Drawn By : TS
 Checked By : JG
 Approved By : DES
 Project No. : 6713
 Scale : AS SHOWN
 Date : 08/2012
 Revision : 0

OFFICE LOCATION :
 4501 Collihar Rd.
 Corpus Christi, Texas 78411
 P.O. Box 3099
 Corpus Christi, Texas 78463
 (361)-614-9900

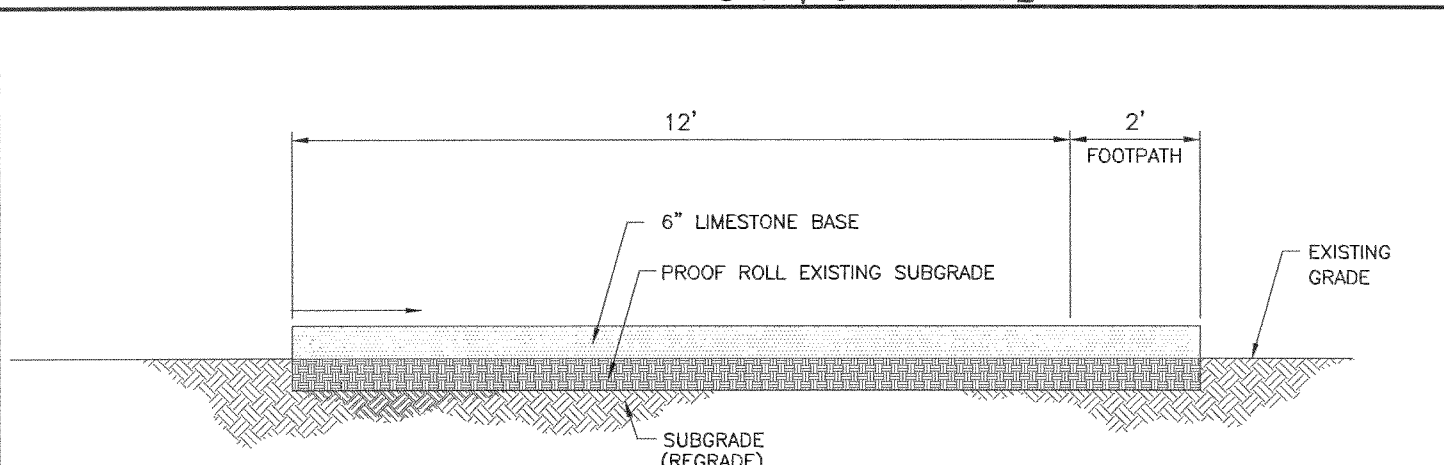


BOARDWALK PLAN AND PROFILE
LAGUNA POINT RECREATION AREA
WILLACY COUNTY NAVIGATION DISTRICT
 WILLACY COUNTY, TEXAS

Dwg. File: 8713-TYP-SEC

10

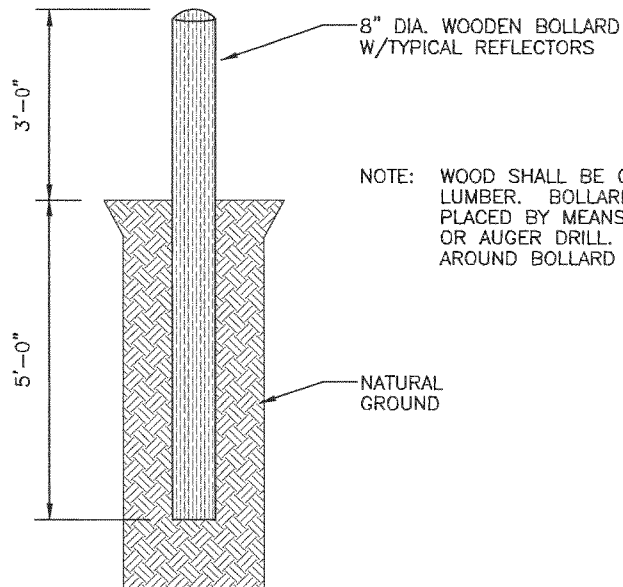
Sheet 10 Of 15



NOTE: PROPOSED ROAD CONSTRUCTION AND FINAL GRADES SHALL NOT INHIBIT EXISTING DRAINAGE

TYPICAL ROADWAY, PARKING AREA, AND FOOTPATH SECTION

SCALE: 1" = 3'-0"



NOTE: WOOD SHALL BE CCA TREATED LUMBER. BOLLARDS SHALL BE PLACED BY MEANS OF JETTING OR AUGER DRILL. COMPACT SOIL AROUND BOLLARD AFTER PLACEMENT.

BOLLARD BASE BID

SCALE: 1" = 3'-0"

Drawn By	: TS
Checked By	: JG
Approved By	: DES
Project No.	: 8713
Scale	: AS SHOWN
Date	: 08/2012
Revision	: 0

OFFICE LOCATION :

4501 Gollihar Rd.
Corpus Christi, Texas 78411
P.O. Box 3099
Corpus Christi, Texas 78463
(361)-814-9900

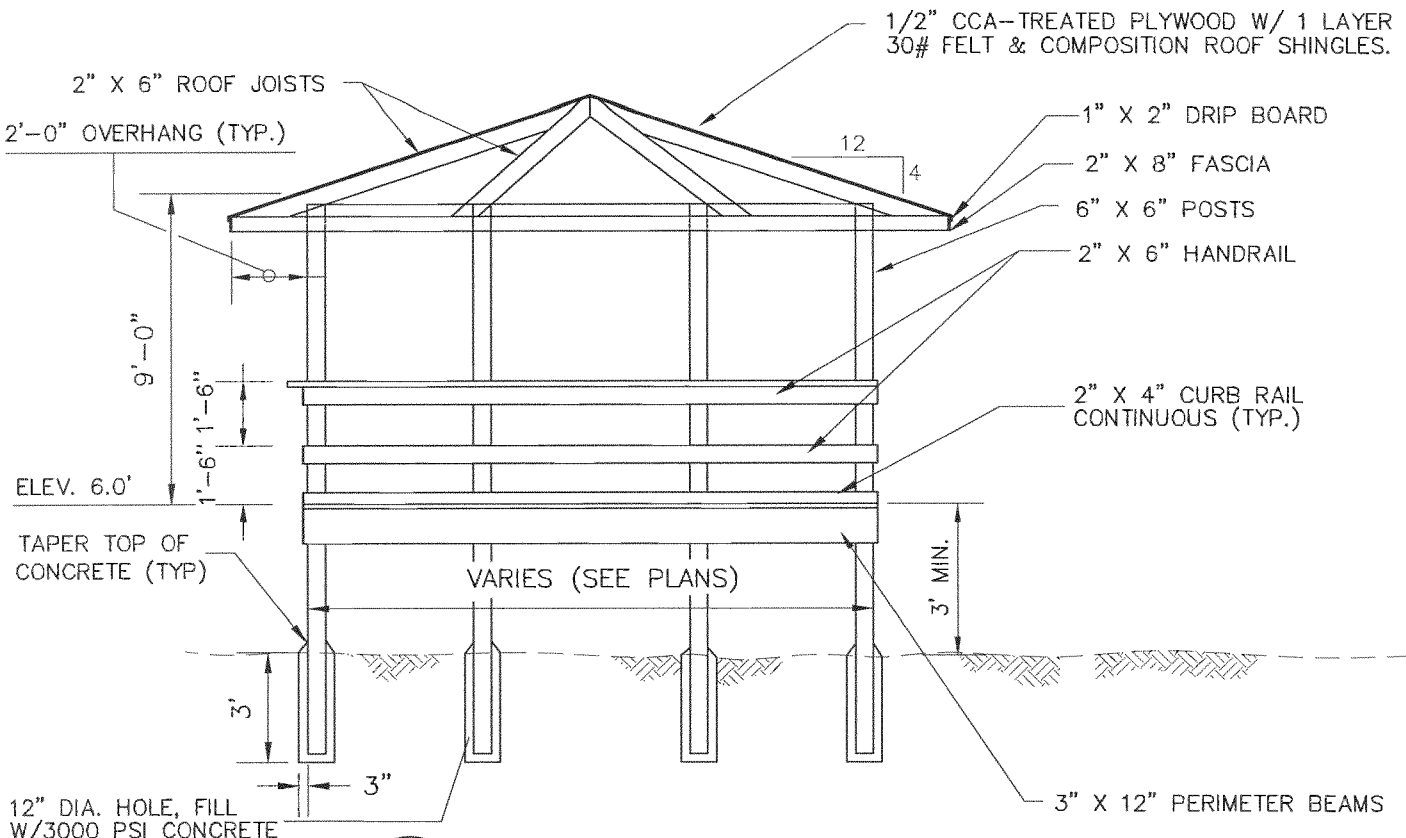


ROADWAY, PARKING AREA, FOOTPATH, AND BOLLARD PLAN & PROFILE
LAGUNA POINT RECREATION AREA
WILLACY COUNTY NAVIGATION DISTRICT
WILLACY COUNTY, TEXAS

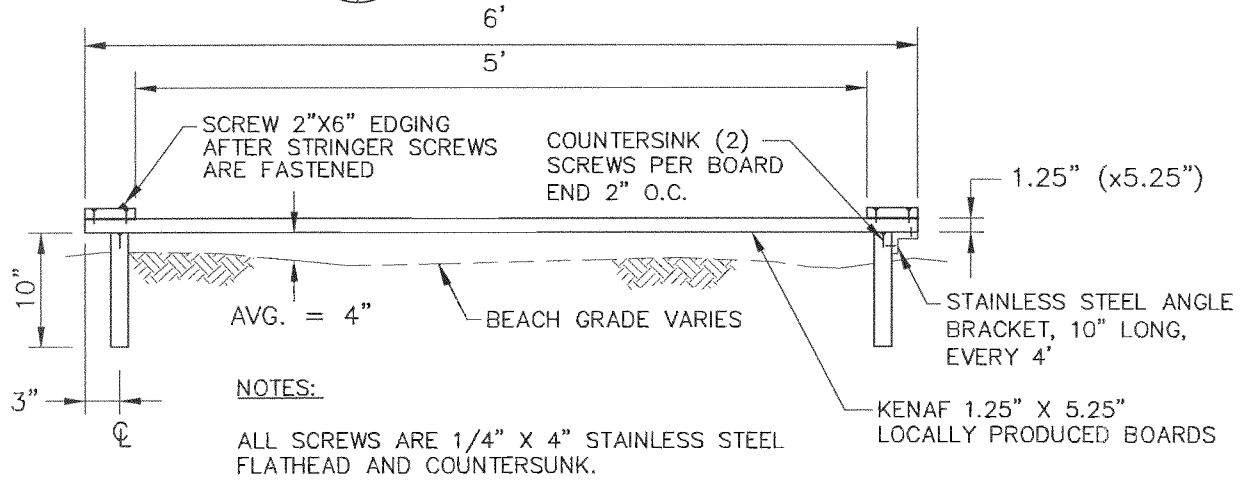
Dwg. File: 8713-TYP-SEC

11

Sheet 11 Of 15



2 OBSERVATION KIOSK ELEVATION
 SCALE: N.T.S.



NOTES:
 ALL SCREWS ARE 1/4" X 4" STAINLESS STEEL FLATHEAD AND COUNTERSUNK.
 ALL AT-GRADE BOARDWALKS TO BE <5% GRADE, WITHOUT HANDRAILS, AND OTHERWISE MEET ALL TEXAS ACCESSIBILITY STANDARDS.

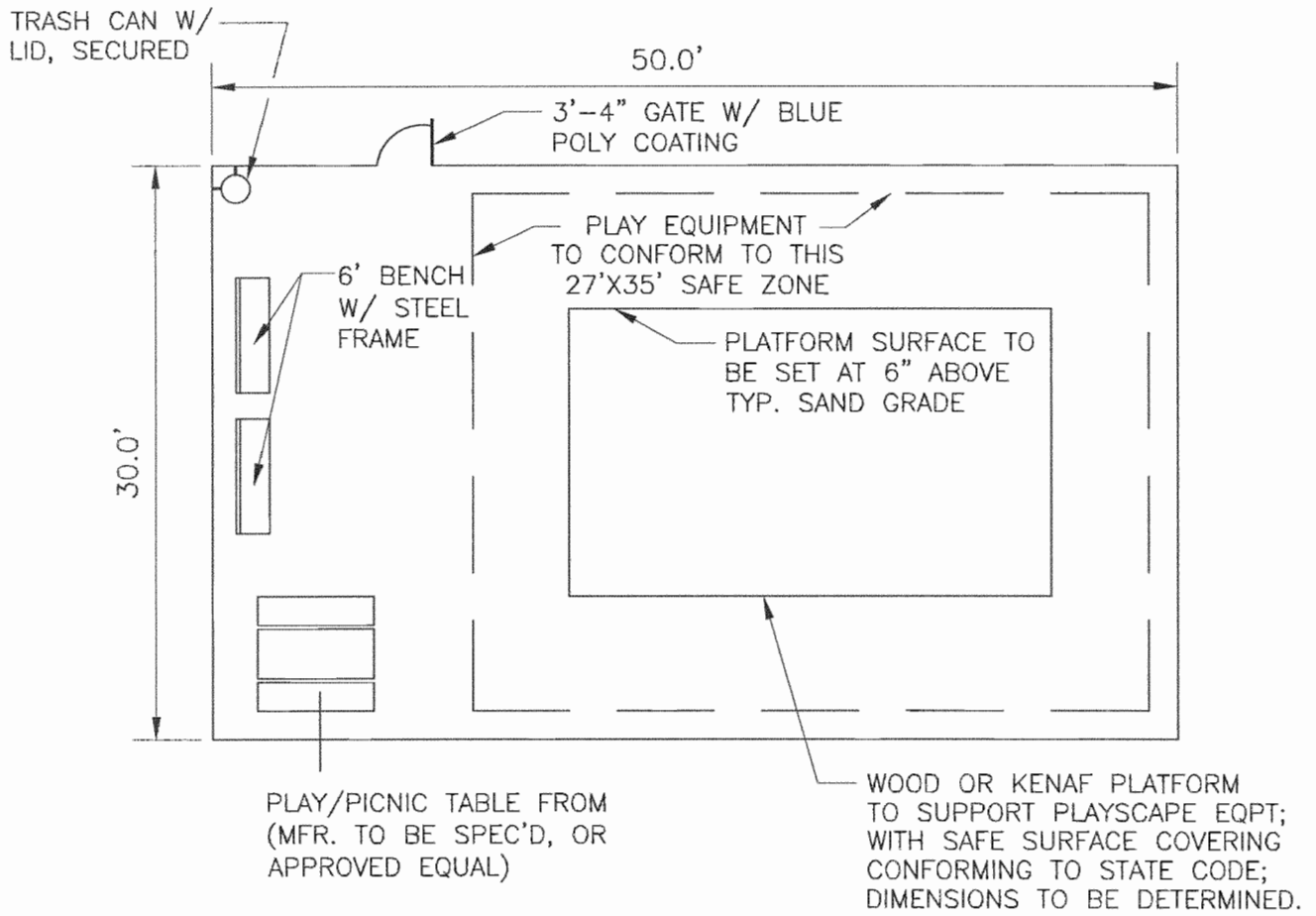
3 TYPICAL ON-GRADE BOARDWALK CROSS-SECTION
 SCALE: N.T.S.

Drawn By	: TS
Checked By	: JG
Approved By	: DES
Project No.	: 8713
Scale	: AS SHOWN
Date	: 08/2012
Revision	: 0

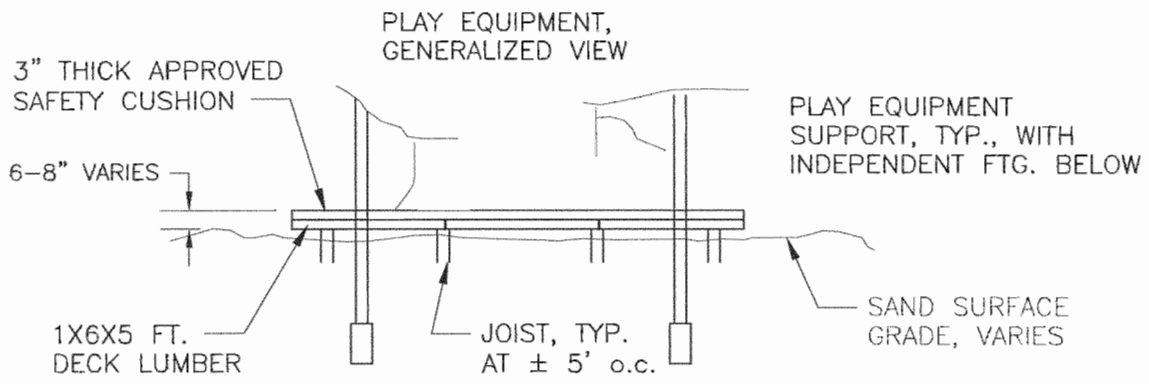
OFFICE LOCATION :
 4501 Gollifor Rd.
 Corpus Christi, Texas 78411
 P.O. Box 3099
 Corpus Christi, Texas 78463
 (361)-814-9900



OBSERVATION KIOSK AND ON-GRADE BOARDWALK DETAILS
LAGUNA POINT RECREATION AREA
WILLACY COUNTY NAVIGATION DISTRICT
 WILLACY COUNTY, TEXAS



1 **PLAYSCAPE, PLAN**
SCALE: N.T.S.



2 **PLAYSCAPE, SECTION**
SCALE: N.T.S.

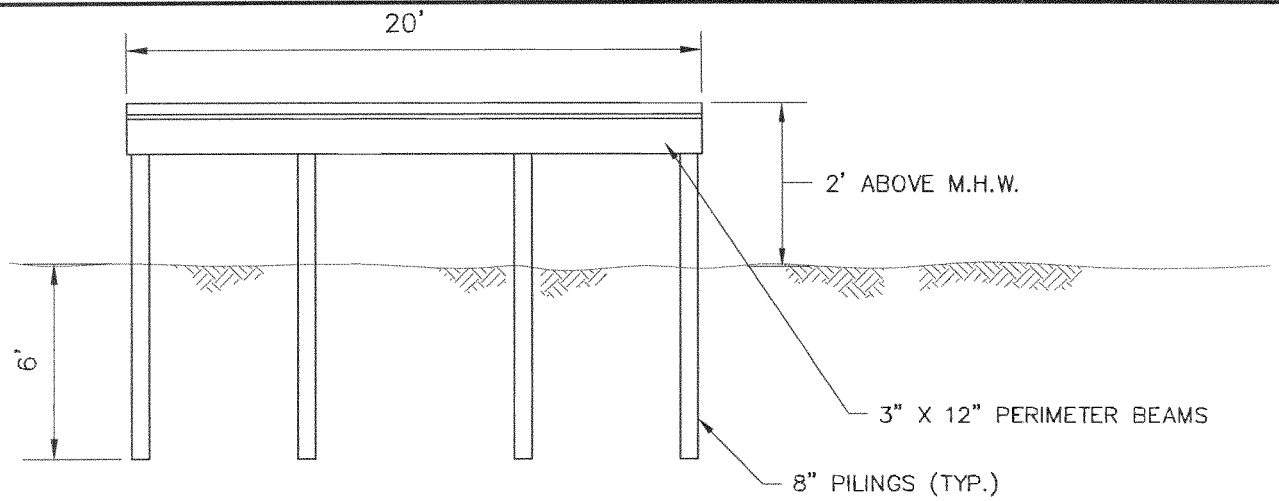
Drawn By	: TS
Checked By	: JG
Approved By	: DES
Project No.	: 8713
Scale	: AS SHOWN
Date	: 08/2012
Revision	: 0

OFFICE LOCATION :

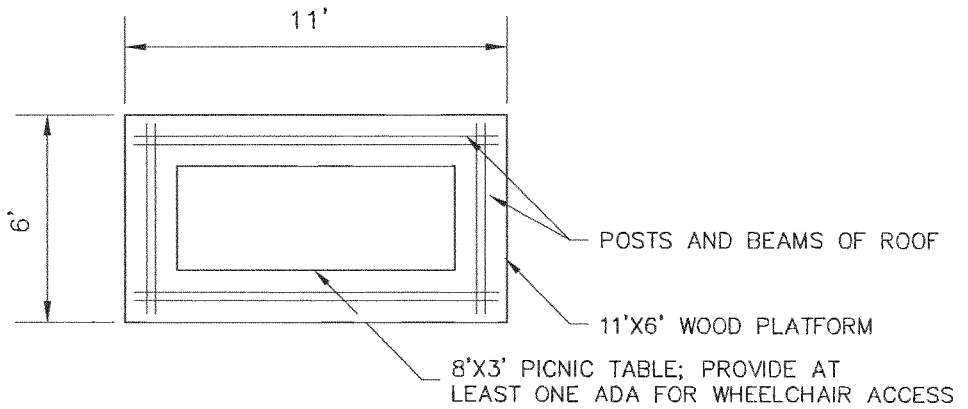
4501 Collihar Rd.
Corpus Christi, Texas 78411
P.O. Box 3099
Corpus Christi, Texas 78463
(361)-814-9900



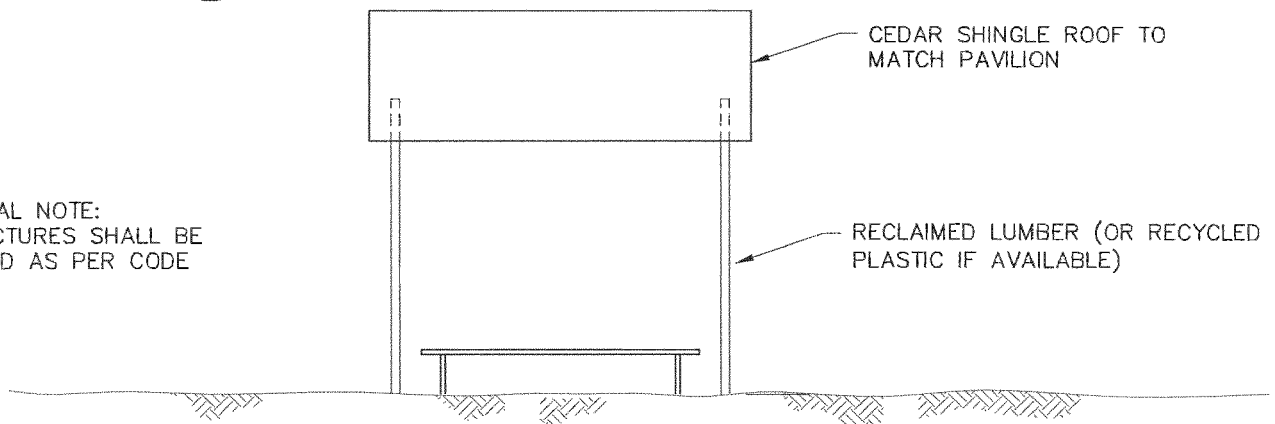
PLAYSCAPE PLAN AND PROFILE
LAGUNA POINT RECREATION AREA
WILLACY COUNTY NAVIGATION DISTRICT
WILLACY COUNTY, TEXAS



1 20'X20' DOCK
SCALE: N.T.S.



2 PICNIC TABLE - PLAN VIEW
SCALE: N.T.S.



3 PICNIC TABLE - SECTION VIEW
SCALE: N.T.S.

STRUCTURAL NOTE:
ALL STRUCTURES SHALL BE
ENGINEERED AS PER CODE

Drawn By	: TS
Checked By	: JG
Approved By	: DES
Project No.	: 8713
Scale	: AS SHOWN
Date	: 08/2012
Revision	: 0

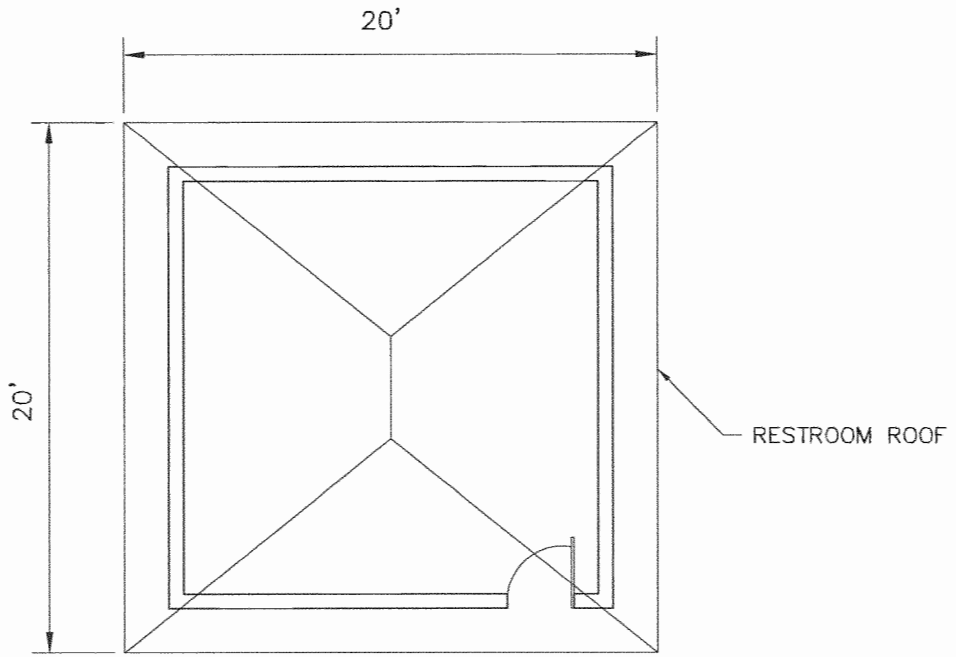
OFFICE LOCATION :

4501 Goliath Rd.
Corpus Christi, Texas 78411
P.O. Box 3099
Corpus Christi, Texas 78463
(361)-814-9900

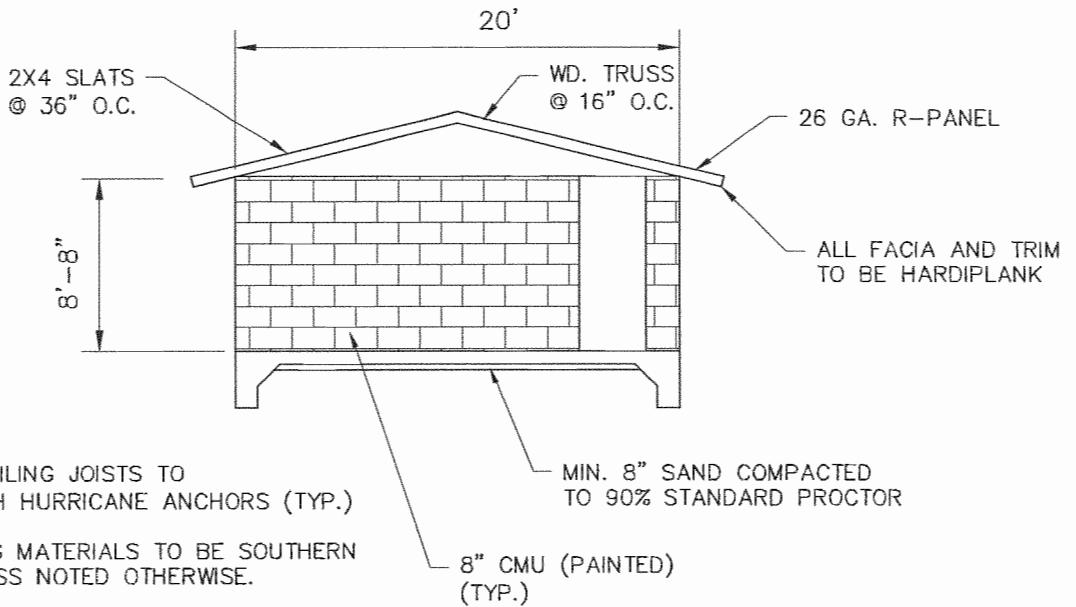


**20' 20' DOCK AND
PICNIC TABLE DETAILS**
LAGUNA POINT RECREATION AREA
WILLACY COUNTY NAVIGATION DISTRICT
WILLACY COUNTY, TEXAS

Dwg. File:	8713-TYP-SEC-2
14	
Sheet	14 Of 15



1 20'X20' RESTROOM - PLAN VIEW
SCALE: N.T.S.



- NOTE:
1. ALL RAFTERS & CEILING JOISTS TO BE CONNECTED WITH HURRICANE ANCHORS (TYP.)
 2. ALL WOOD FRAMING MATERIALS TO BE SOUTHERN YELLOW PINE, UNLESS NOTED OTHERWISE.

2 20'X20' RESTROOM - SECTION VIEW
SCALE: N.T.S.

Drawn By	: TS
Checked By	: JG
Approved By	: DES
Project No.	: 8713
Scale	: AS SHOWN
Date	: 08/2012
Revision	: 0

OFFICE LOCATION :
4501 Gollihar Rd.
Corpus Christi, Texas 78411
P.O. Box 3099
Corpus Christi, Texas 78463
(361)-814-9900



RESTROOM DETAILS
LAGUNA POINT RECREATION AREA
WILLACY COUNTY NAVIGATION DISTRICT
WILLACY COUNTY, TEXAS

Dwg. File:
8713-TYP-SEC-3

15

Sheet 15 Of 15