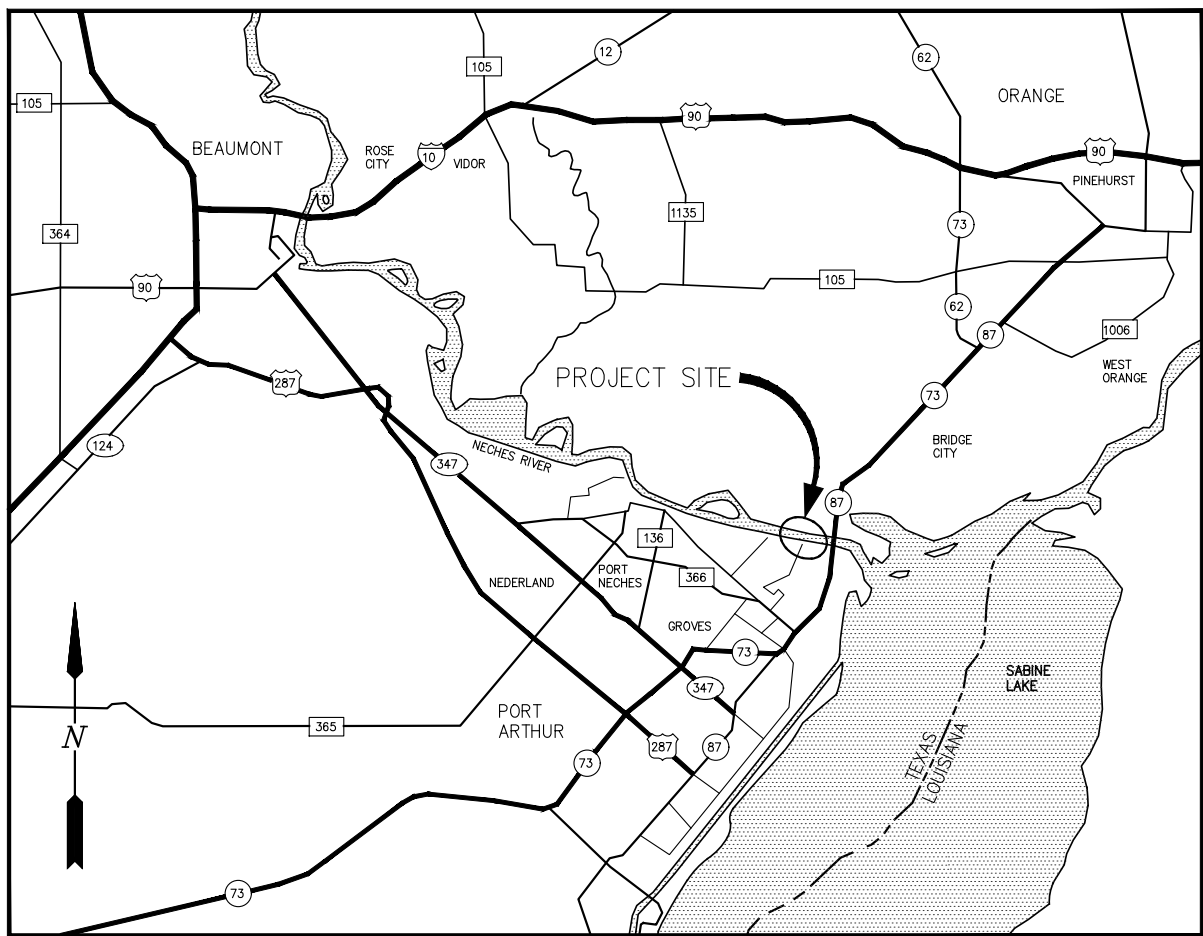
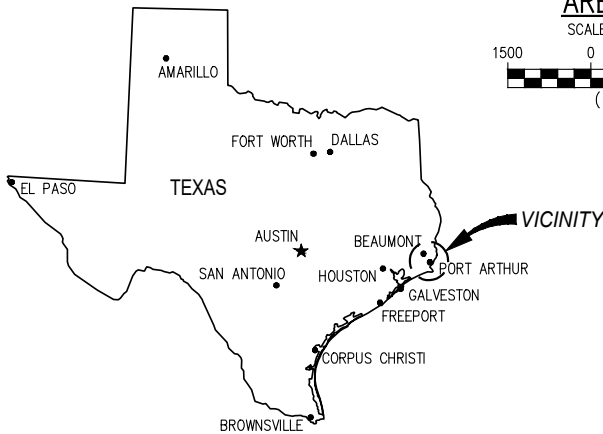
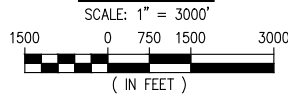


9/19/2024 10:10 AM



**AREA MAP**



**VICINITY MAP**

LAT: 29°58'50"N  
LONG: 93°52'55"W

CHRIS O'BRIEN P.E.  
TX PE #108174

**PRELIMINARY - FOR PERMITTING PURPOSES ONLY, NOT FOR CONSTRUCTION**

REV  
A



**LANIER & ASSOCIATES**  
CONSULTING ENGINEERS, INC.

LA: EF-1120 TX: F-2981  
VF-185 LSF-10194817

NEW ORLEANS • BEAUMONT • CORPUS CHRISTI • HOUSTON • MANDEVILLE

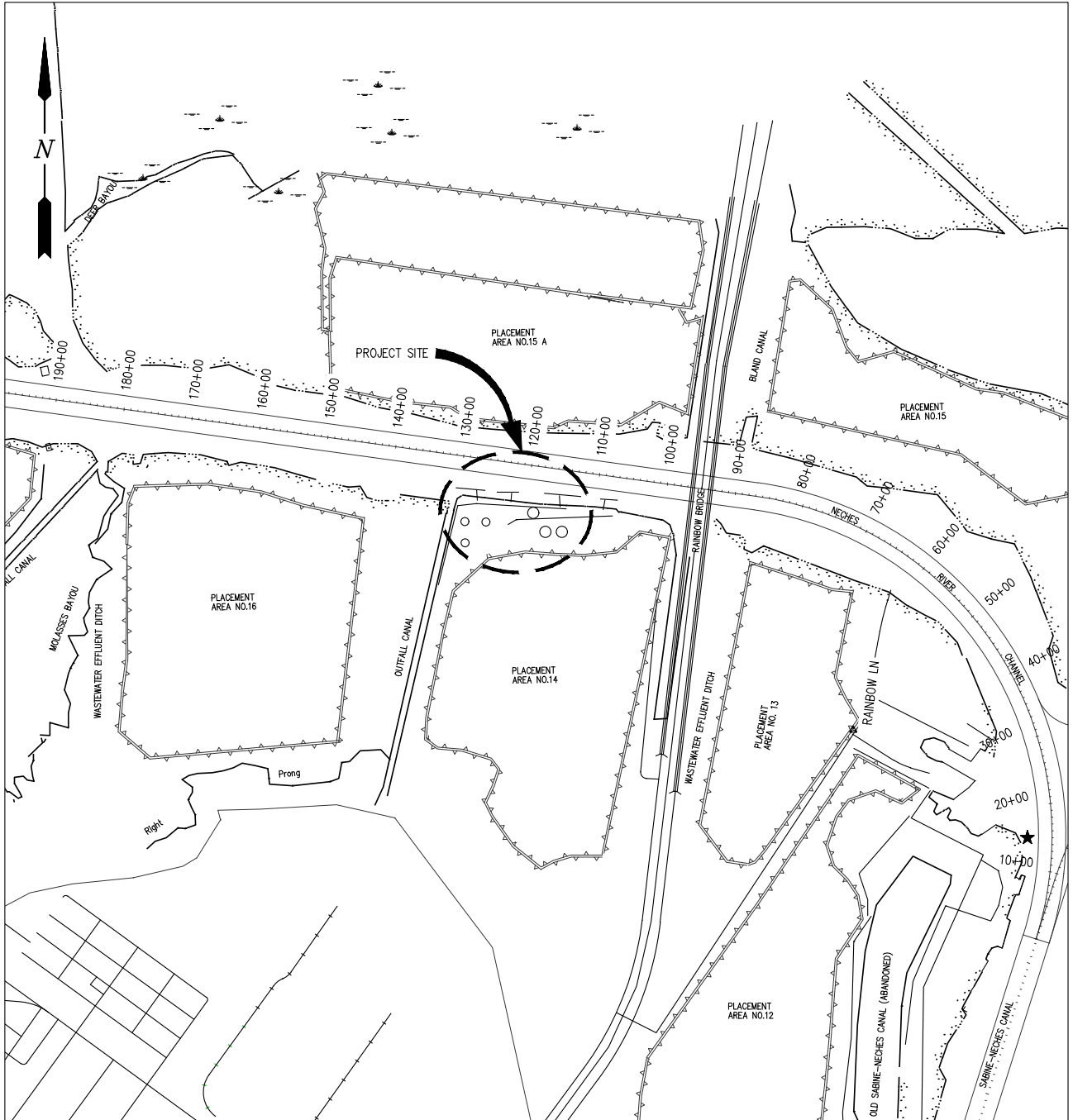
**TOTALENERGIES PETROCHEMICALS & REFINING USA, INC.**  
PORT ARTHUR TEXAS

**PROPOSED MOORING WINCHES**  
**VICINITY MAP**

DATE	SEPT. '24
DESIGN	CLO
DRAWN	SWF
CHECK	CLO
JOB NO.	12921-1
SHEET No.	1 OF 6

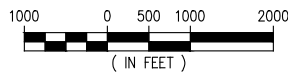
J:\2000S\12921 TOTAL PORT ARTHUR DOCK 1&3 ERC DRAWINGS\PERMIT\12921-1-P1.DWG

9/19/2024 1:30 PM



**LOCATION MAP**

SCALE: 1" = 2000'



J:\2000S\12921 TOTAL PORT ARTHUR DOCK 1&3 ERC DRAWINGS\PERMIT\12921-1-P2.DWG

CHRIS O'BRIEN P.E.  
TX PE #108174

PRELIMINARY - FOR PERMITTING PURPOSES ONLY, NOT FOR CONSTRUCTION

REV  
A



**LANIER & ASSOCIATES**  
CONSULTING ENGINEERS, INC.

LA: EF-1120 TX: F-2981  
VF-185 LSF-10194817

NEW ORLEANS • BEAUMONT • CORPUS CHRISTI • HOUSTON • MANDEVILLE

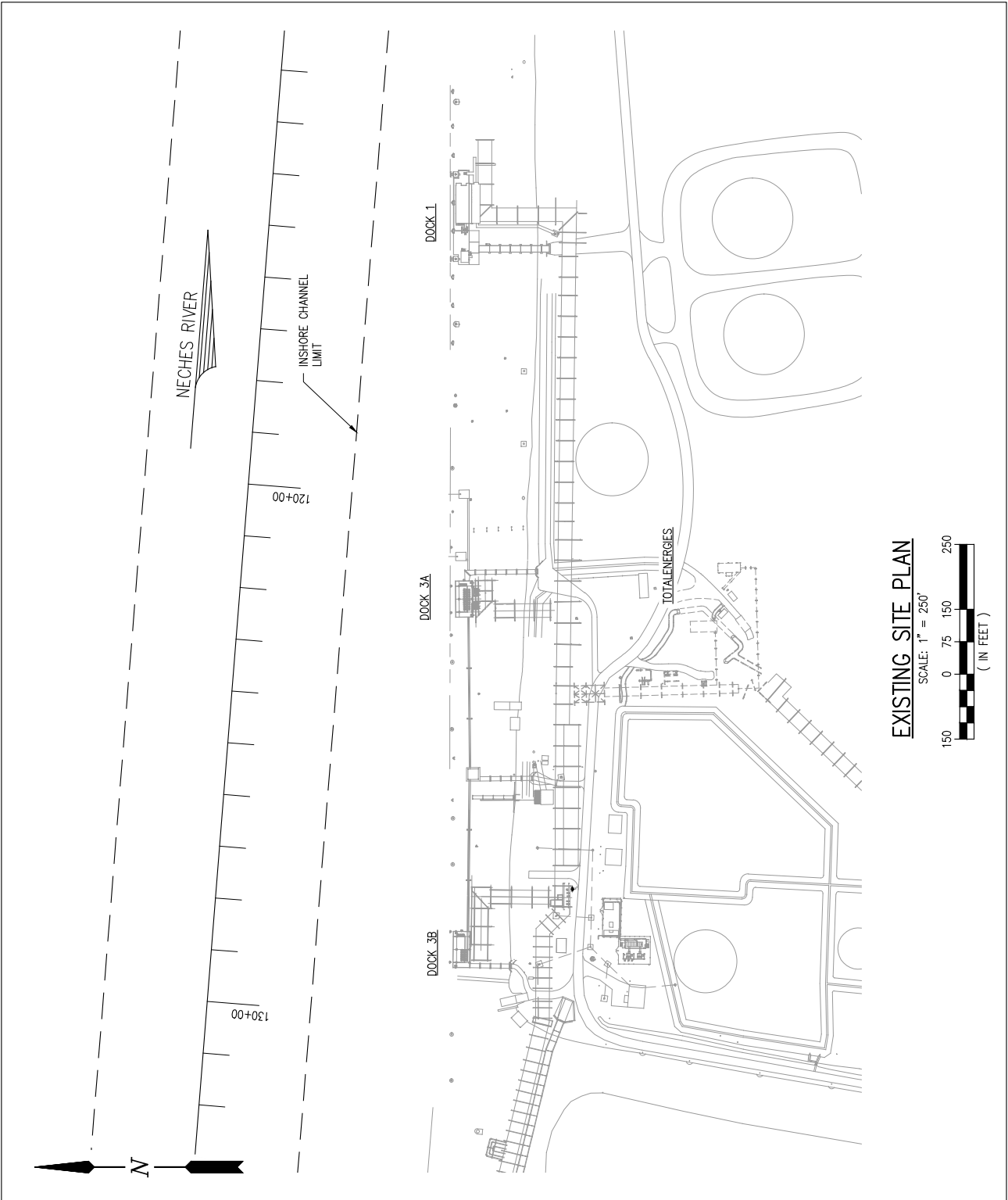
**TOTALENERGIES PETROCHEMICALS & REFINING USA, INC.**  
PORT ARTHUR TEXAS

**PROPOSED MOORING WINCHES  
LOCATION MAP**

DATE	SEPT '24
DESIGN	CLO
DRAWN	SWF
CHECK	CLO
JOB NO.	12921-1
SHEET No.	2 OF 6

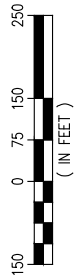
9/19/2024 1:47 PM

J:\2000S\12921 TOTAL PORT ARTHUR DOCK 1&3 ERC DRAWINGS\PERMIT\12921-1-P.3.DWG



**EXISTING SITE PLAN**

SCALE: 1" = 250'



CHRIS O'BRIEN P.E.  
TX PE #108174

PRELIMINARY - FOR PERMITTING PURPOSES ONLY, NOT FOR CONSTRUCTION

REV  
A



**LANIER & ASSOCIATES**  
CONSULTING ENGINEERS, INC.

LA: EF-1120 TX: F-2981  
VF-185 LSF-10194817

NEW ORLEANS • BEAUMONT • CORPUS CHRISTI • HOUSTON • MANDEVILLE

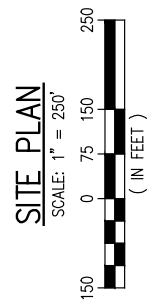
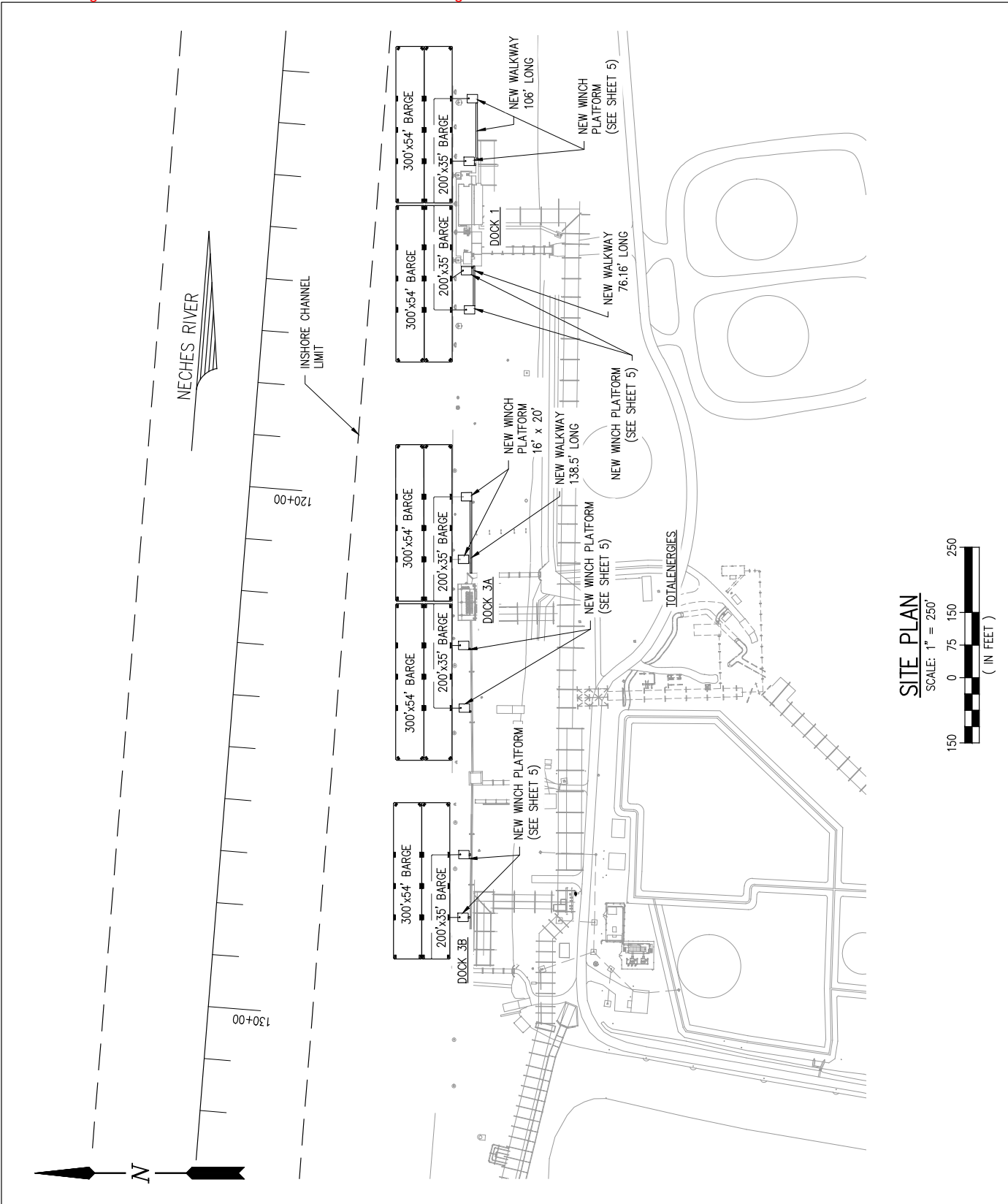
**TOTALENERGIES PETROCHEMICALS & REFINING USA, INC.**  
PORT ARTHUR TEXAS


**PROPOSED MOORING WINCHES**  
**EXISTING SITE PLAN**

DATE	SEPT '24
DESIGN	CLO
DRAWN	SWF
CHECK	CLO
JOB NO	12921-1
SHEET No.	
	3 OF 6

3/5/2025 2:11 PM

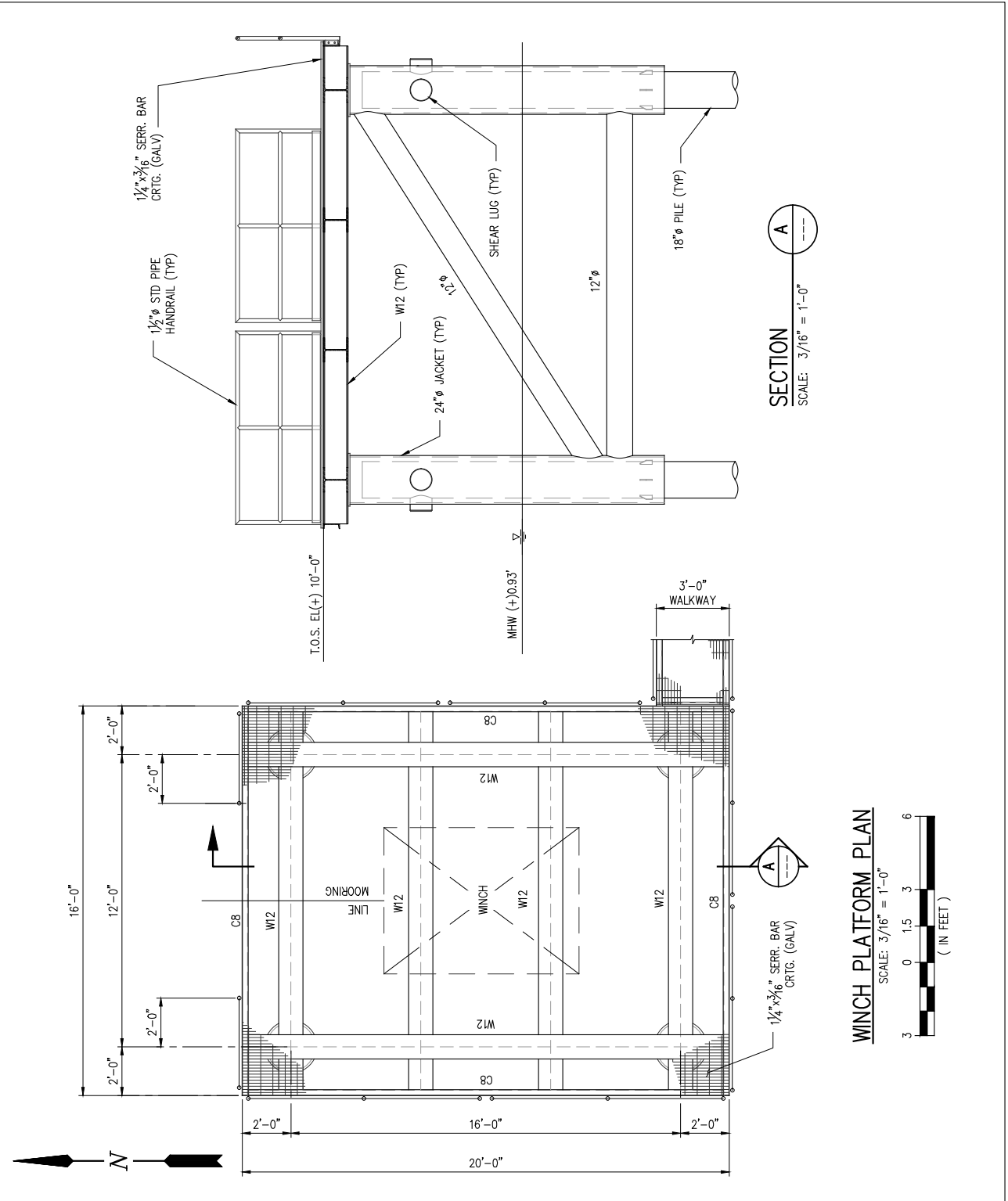
J:\120005\12921 TOTAL PORT ARTHUR DOCK 1&3 ERC\DRAWINGS\PERMIT\12921-1-P4.DWG




<p>CHRIS O'BRIEN P.E. TX PE #108174</p>	<p><b>PRELIMINARY - FOR PERMITTING PURPOSES ONLY, NOT FOR CONSTRUCTION</b></p>	<p>REV A</p>
 <p><b>LANIER &amp; ASSOCIATES</b> CONSULTING ENGINEERS, INC.</p> <p>LA: EF-1120 TX: F-2981 VF-185 LSF-10194817</p> <p>NEW ORLEANS • BEAUMONT • CORPUS CHRISTI • HOUSTON • MANDEVILLE</p>	<p>TOTALENERGIES PETROCHEMICALS &amp; REFINING USA, INC. PORT ARTHUR TEXAS</p> <p><b>PROPOSED MOORING WINCHES SITE PLAN</b></p>	<p>DATE <u>SEPT '24</u> DESIGN <u>CLO</u> DRAWN <u>SWF</u> CHECK <u>CLO</u> JOB NO <u>12921-1</u> SHEET No. <b>4 OF 6</b></p>

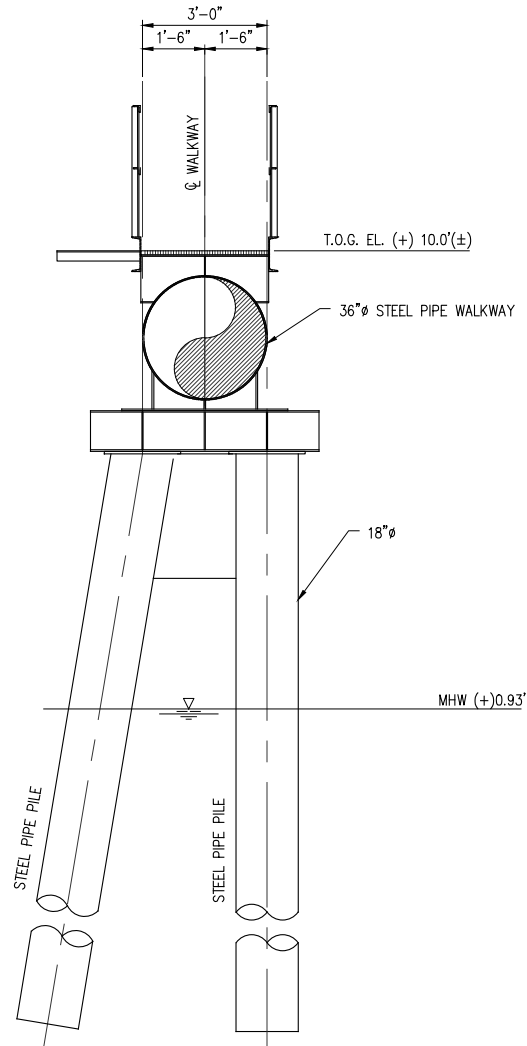
9/19/2024 10:14 AM

J:\2000S\12921 TOTAL PORT ARTHUR DOCK 1&3 ERC DRAWINGS\PERMIT\12921-1-P5.DWG



<p>CHRIS O'BRIEN P.E. TX PE #108174</p>	<p><b>PRELIMINARY - FOR PERMITTING PURPOSES ONLY, NOT FOR CONSTRUCTION</b></p>	<p>REV A</p>
 <p><b>LANIER &amp; ASSOCIATES</b> CONSULTING ENGINEERS, INC.</p> <p>LA: EF-1120 TX: F-2981 VF-185 LSF-10194817</p> <p>NEW ORLEANS • BEAUMONT • CORPUS CHRISTI • HOUSTON • MANDEVILLE</p>	<p><b>TOTALENERGIES PETROCHEMICALS &amp; REFINING USA, INC.</b> PORT ARTHUR TEXAS</p> <p><b>PROPOSED MOORING WINCHES WINCH PLATFORM AND SECTION</b></p>	<p>DATE <u>SEPT '24</u> DESIGN <u>CLO</u> DRAWN <u>SWF</u> CHECK <u>CLO</u> JOB NO <u>12921-1</u> SHEET No. <b>5</b> OF <b>6</b></p>

9/19/2024 1:50 PM



**TYPICAL WALKWAY SUPPORT**

SCALE: 1/4" = 1'-0"



J:\2000S\12921 TOTAL PORT ARTHUR DOCK 1&3 ERC DRAWINGS\PERMIT\12921-1-P6.DWG

CHRIS O'BRIEN P.E.  
TX PE #108174

PRELIMINARY - FOR PERMITTING PURPOSES ONLY, NOT FOR CONSTRUCTION

REV  
A



**LANIER & ASSOCIATES**  
CONSULTING ENGINEERS, INC.

LA: EF-1120 TX: F-2981  
VF-185 LSF-10194817

NEW ORLEANS • BEAUMONT • CORPUS CHRISTI • HOUSTON • MANDEVILLE

**TOTALENERGIES PETROCHEMICALS & REFINING USA, INC.**  
PORT ARTHUR TEXAS

**PROPOSED MOORING WINCHES**  
**TYPICAL WALKWAY SECTION**

DATE SEPT '24  
DESIGN CLO  
DRAWN SWF  
CHECK CLO  
JOB NO 12921-1  
SHEET No.

**6** OF **6**