

### VICINITY MAP

GALVESTON COUNTY  
KEY MAP PAGE 775

## PROJECT SITE

# PELICAN ISLAND TERMINAL BULKHEAD EXPANSION

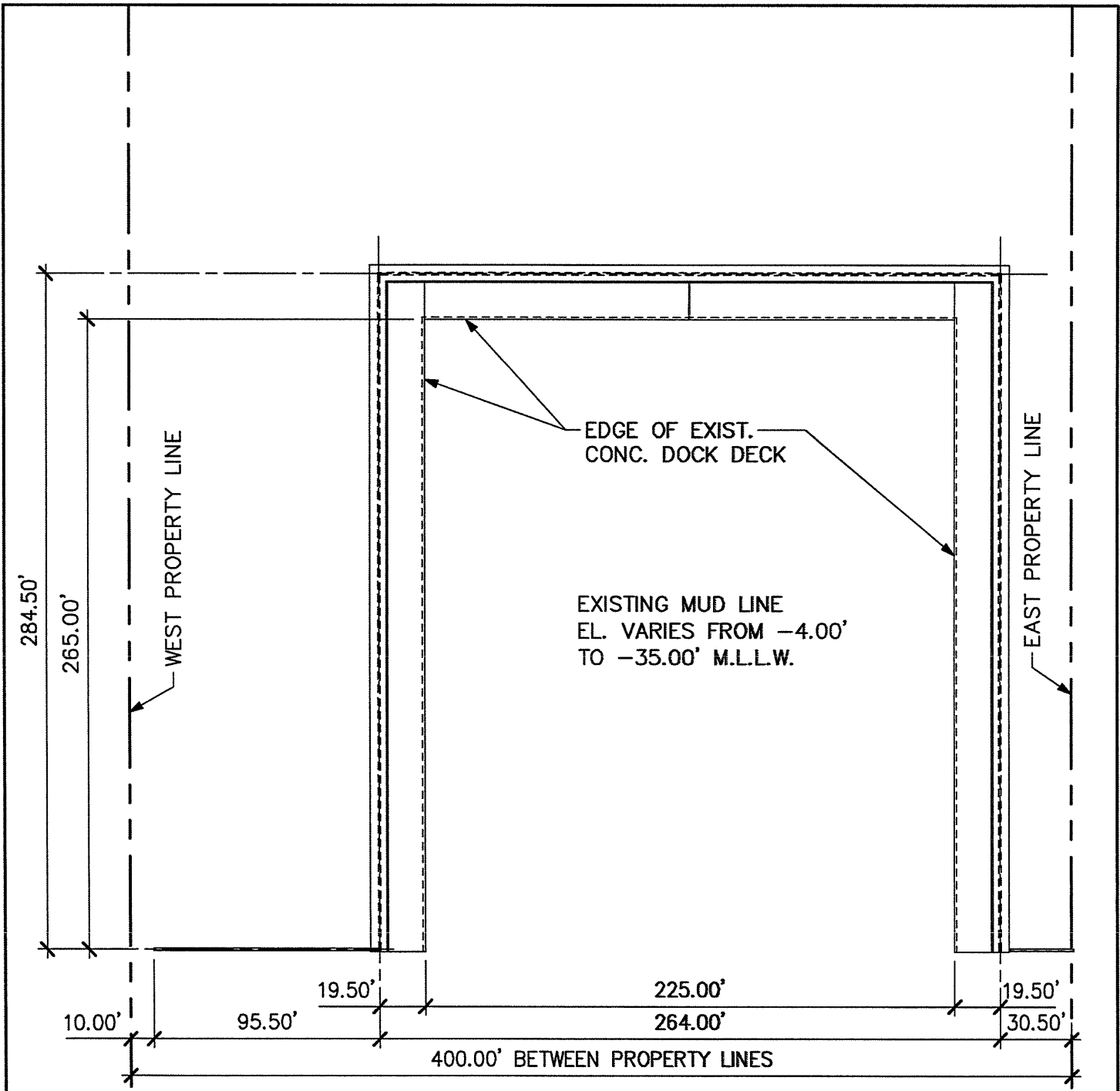
**SH** STANLEY SPURLING & HAMILTON, INC.  
Consulting Engineering Services  
T.B.P.E. REGISTRATION # F-000175

3301 Edloe Street, Suite 200 Houston, Texas 77027  
Phone 713-776-9433 Fax 713-776-2439

SCALE:     N.T.S.     DWN. BY:     KD      
 DATE:     12-07-17     APP. BY:     LH      
 JOB NO.:     0695-0012     DWG. NO.:     0695-0012 SK-1    

11/20/2017 1:49 PM

Q:\0600\0695\0695-0012\STRUCTURAL DWGS\CORP PERMIT\0695-0012 SK-1.DWG KANYON DOBBINS



**EXISTING TERMINAL PLAN**   
 SCALE: 1"=60'

SK-2

**PELICAN ISLAND TERMINAL  
 BULKHEAD EXPANSION**

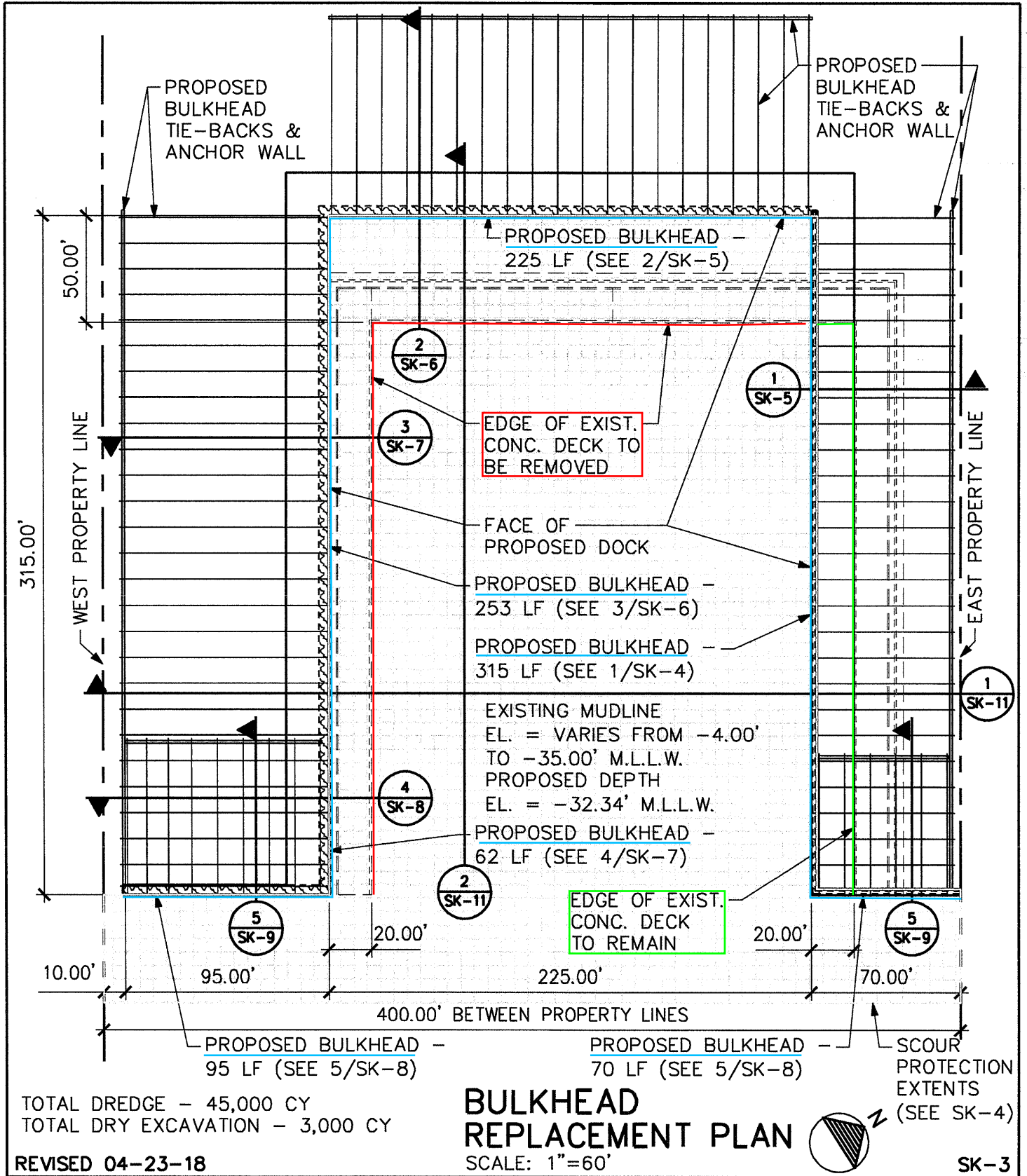


**STANLEY SPURLING & HAMILTON, INC.**

Consulting Engineering Services  
 T.B.P.E. REGISTRATION # F-000175

SCALE: 1"=60' DWN. BY: KD  
 DATE: 11-15-17 APP. BY: LH  
 JOB NO.: 0695-0012 DWG. NO.: SK-2

3301 Edloe Street, Suite 200 Houston, Texas 77027  
 Phone 713-776-9433 Fax 713-776-2439



PELICAN ISLAND TERMINAL BULKHEAD EXPANSION

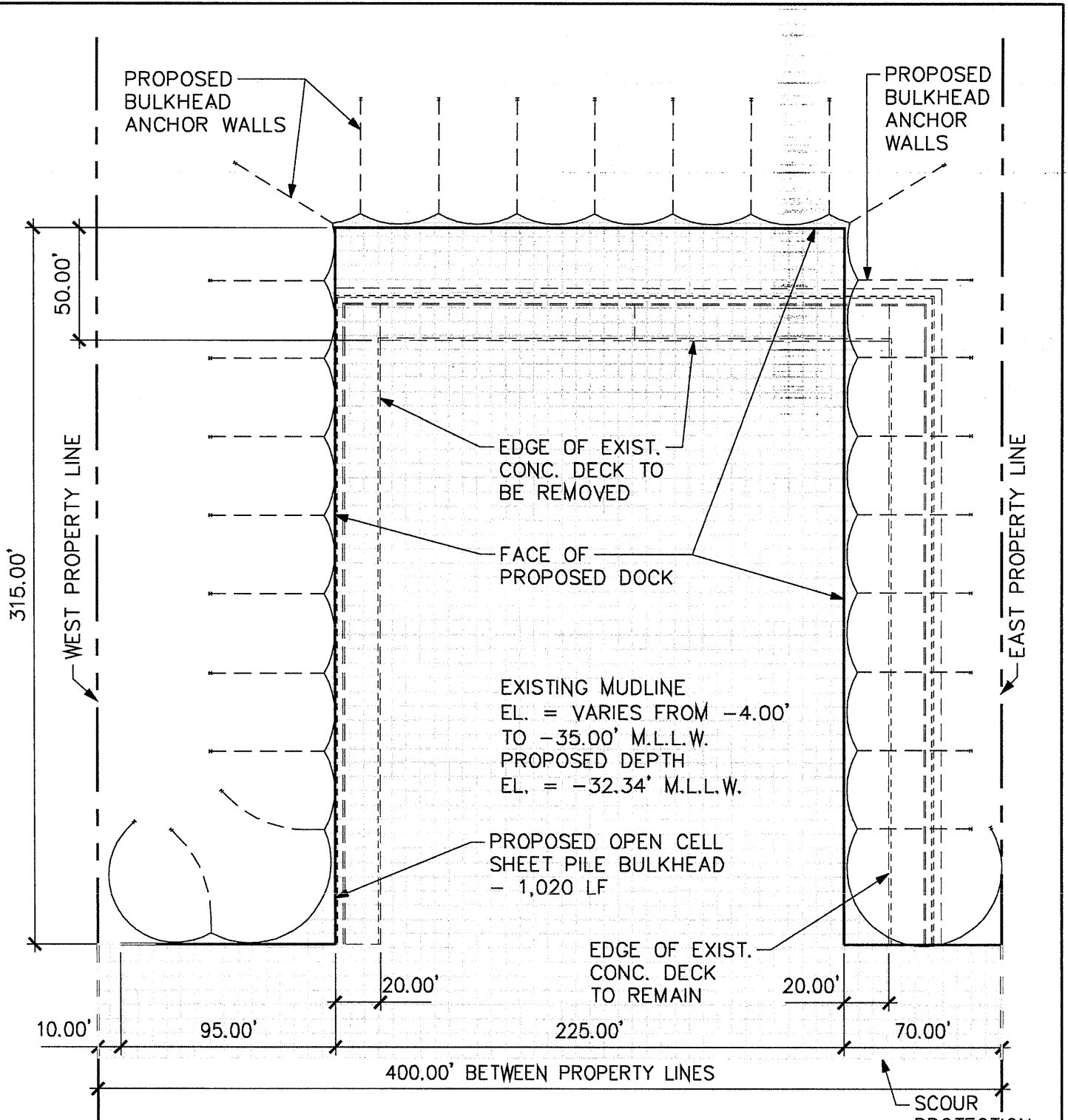


STANLEY SPURLING & HAMILTON, INC.

Consulting Engineering Services  
T.B.P.E. REGISTRATION #F-000175

3301 Edloe Street, Suite 200 Houston, Texas 77027  
Phone 713-776-9433 Fax 713-776-2439

SCALE: 1"=60' DWN. BY: KD  
DATE: 04-23-18 APP. BY: LH  
JOB NO.: 0695-0012 DWG. NO.: SK-3



TOTAL DREDGE - 45,000 CY  
 TOTAL DRY EXCAVATION - 3,000 CY

### ALTERNATE BULKHEAD REPLACEMENT PLAN

SCALE: 1"=60'



SCOUR PROTECTION EXTENTS (SEE SK-4, SIM.)

REVISED 04-23-18

SK-3A

## PELICAN ISLAND TERMINAL BULKHEAD EXPANSION

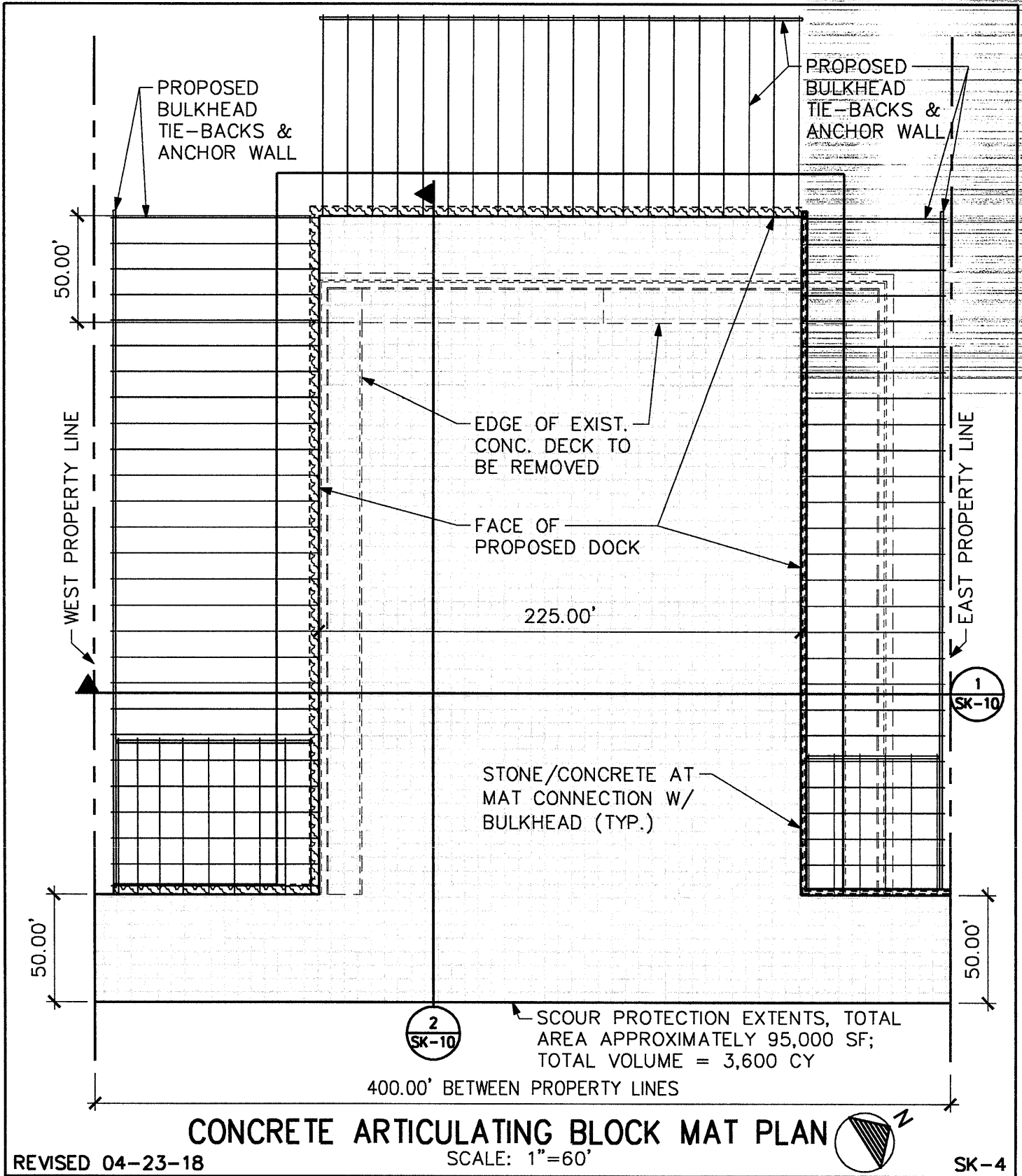


STANLEY SPURLING & HAMILTON, INC.

Consulting Engineering Services  
 T.B.P.E. REGISTRATION # F-000175

3301 Edloe Street, Suite 200 Houston, Texas 77027  
 Phone 713-776-9433 Fax 713-776-2439

SCALE: 1"=60' DWN. BY: KD  
 DATE: 04-23-18 APP. BY: LH  
 JOB NO.: 0695-0012 DWG. NO.: SK-3



### CONCRETE ARTICULATING BLOCK MAT PLAN

REVISED 04-23-18

SCALE: 1"=60'

SK-4

## PELICAN ISLAND TERMINAL BULKHEAD EXPANSION

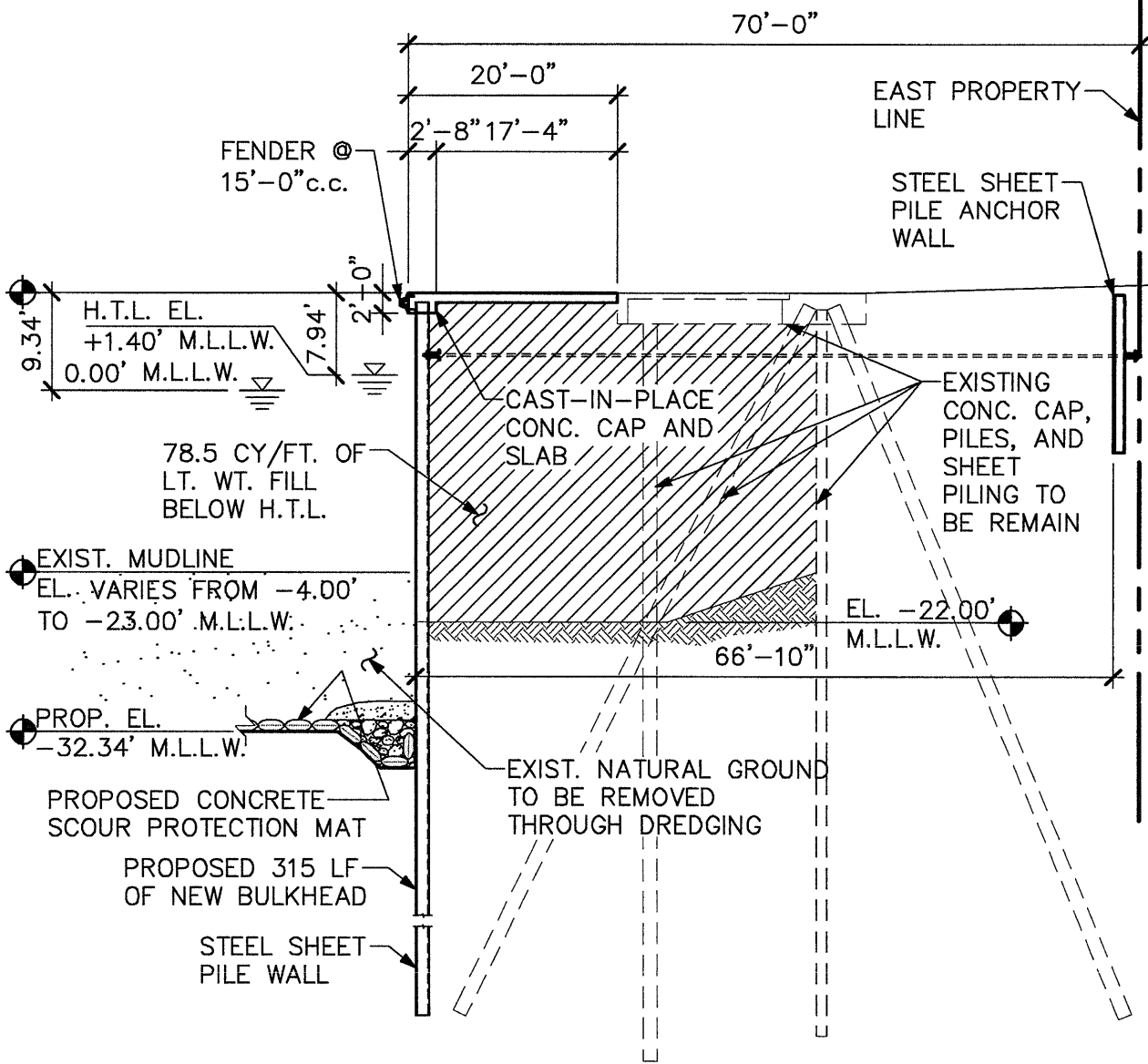


### STANLEY SPURLING & HAMILTON, INC.

Consulting Engineering Services  
T.B.P.E. REGISTRATION # F-000175

SCALE: 1"=60'	DWN. BY: KD
DATE: 04-23-18	APP. BY: LH
JOB NO.: 0695-0012	DWG. NO.: SK-4

3301 Edloe Street, Suite 200 Houston, Texas 77027  
Phone 713-776-9433 Fax 713-776-2439



1 Section  
SK-5 SCALE: 1/16"=1'-0"

REVISED 04-23-18

SK-5

**PELICAN ISLAND TERMINAL  
BULKHEAD EXPANSION**

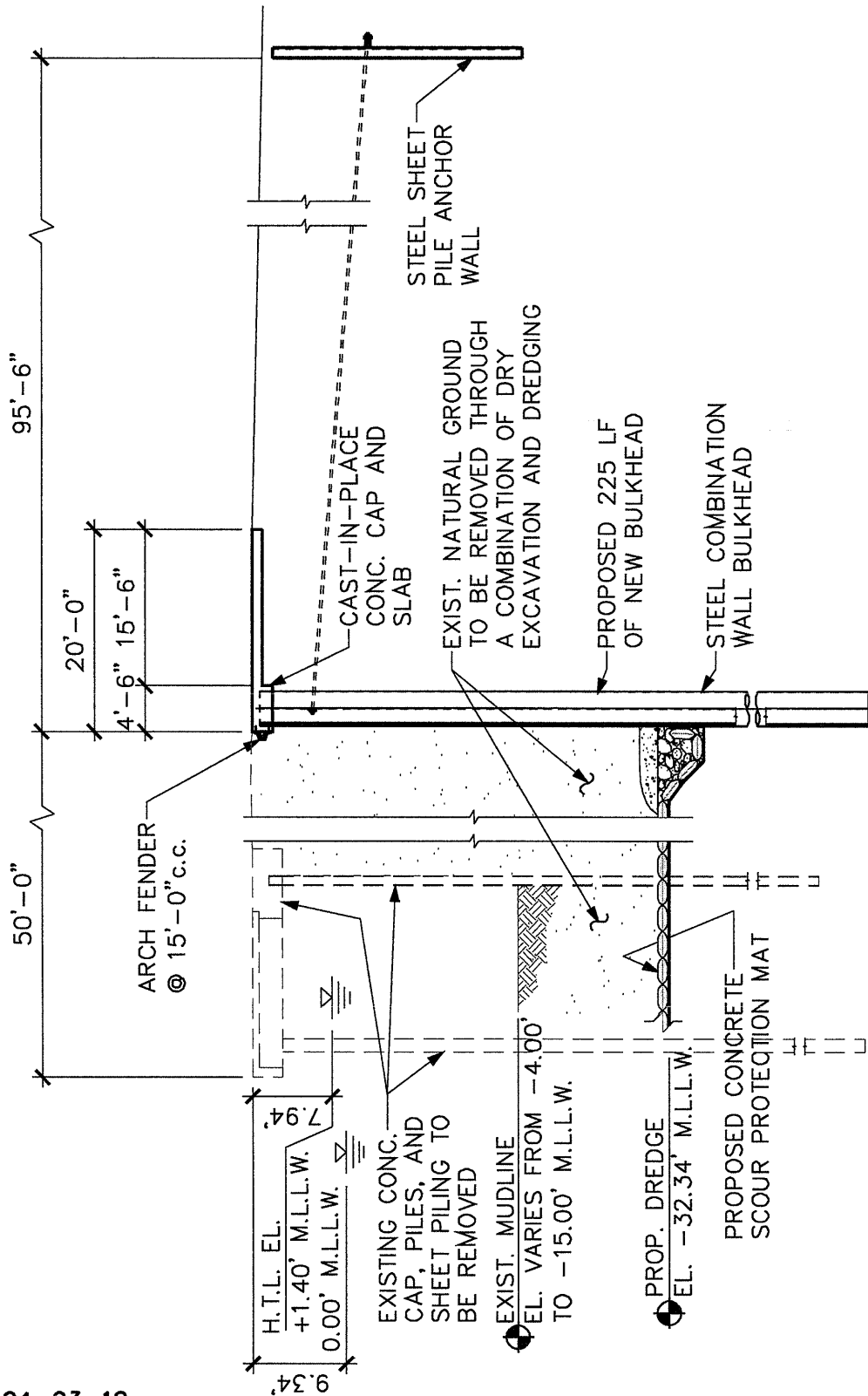


**STANLEY SPURLING & HAMILTON, INC.**

Consulting Engineering Services  
 T.B.P.E. REGISTRATION # F-000175

SCALE: 1/16"=1'-0"      DWN. BY: KD  
 DATE: 04-23-18      APP. BY: LH  
 JOB NO.: 0695-0012      DWG. NO.: SK-5

3301 Edloe Street, Suite 200 Houston, Texas 77027  
 Phone 713-776-9433      Fax 713-776-2439



2 Section  
 SK-6  
 SCALE: 1/16" = 1'-0"

REVISED 04-23-18

SK-6

**PELICAN ISLAND TERMINAL  
 BULKHEAD EXPANSION**

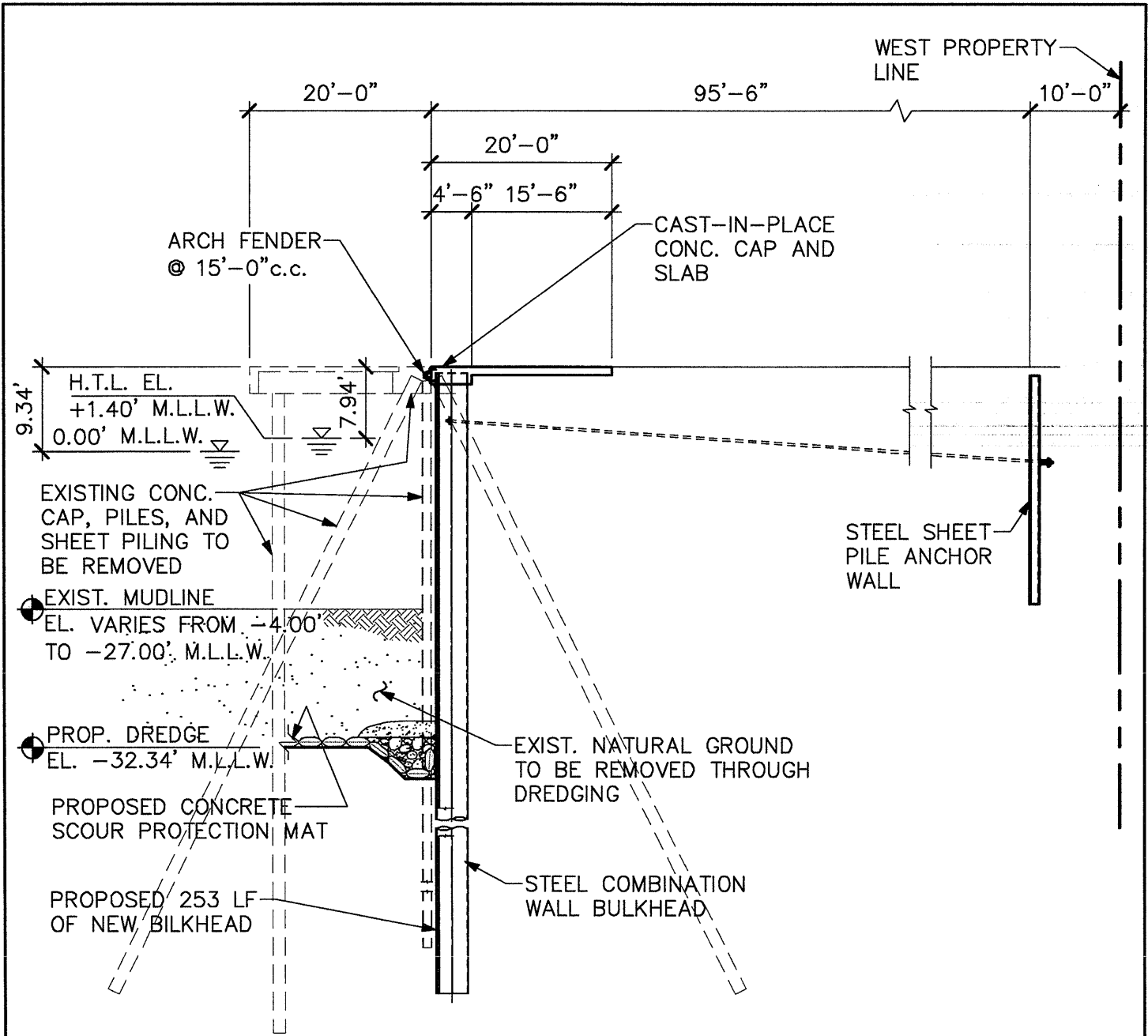


**STANLEY SPURLING & HAMILTON, INC.**

**Consulting Engineering Services**  
 T.B.P.E. REGISTRATION # F-000175

3301 Edloe Street, Suite 200 Houston, Texas 77027  
 Phone 713-776-9433 Fax 713-776-2439

SCALE: 1/16" = 1'-0" DWN. BY: KD  
 DATE: 04-23-18 APP. BY: LH  
 JOB NO.: 0695-0012 DWG. NO.: SK-6



3 Section  
SK-7 SCALE: 1/16"=1'-0"

REVISED 04-23-18

SK-7

**PELICAN ISLAND TERMINAL  
 BULKHEAD EXPANSION**

S  
SH

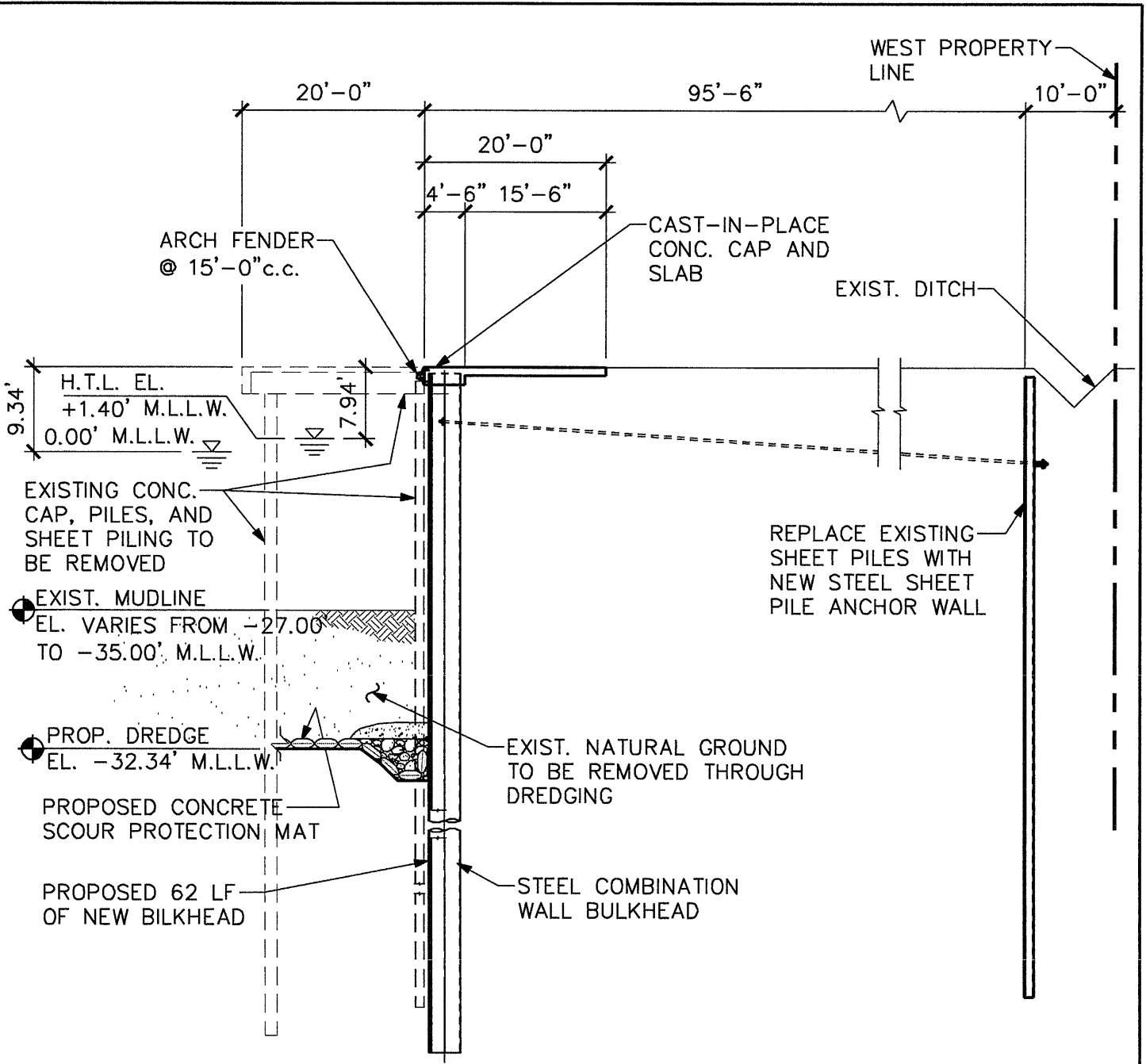
**STANLEY SPURLING & HAMILTON, INC.**

Consulting Engineering Services  
 T.B.P.E. REGISTRATION # F-000175

SCALE: 1/16"=1'-0"	DWN. BY: KD
DATE: 04-23-18	APP. BY: LH
JOB NO.: 0695-0012	DWG. NO.: SK-7

3301 Edloe Street, Suite 200 Houston, Texas 77027  
 Phone 713-776-9433 Fax 713-776-2439





4
Section  
SK-8
SCALE: 1/16"=1'-0"

REVISED 04-23-18

SK-8

PELICAN ISLAND TERMINAL  
 BULKHEAD EXPANSION

S  
SH

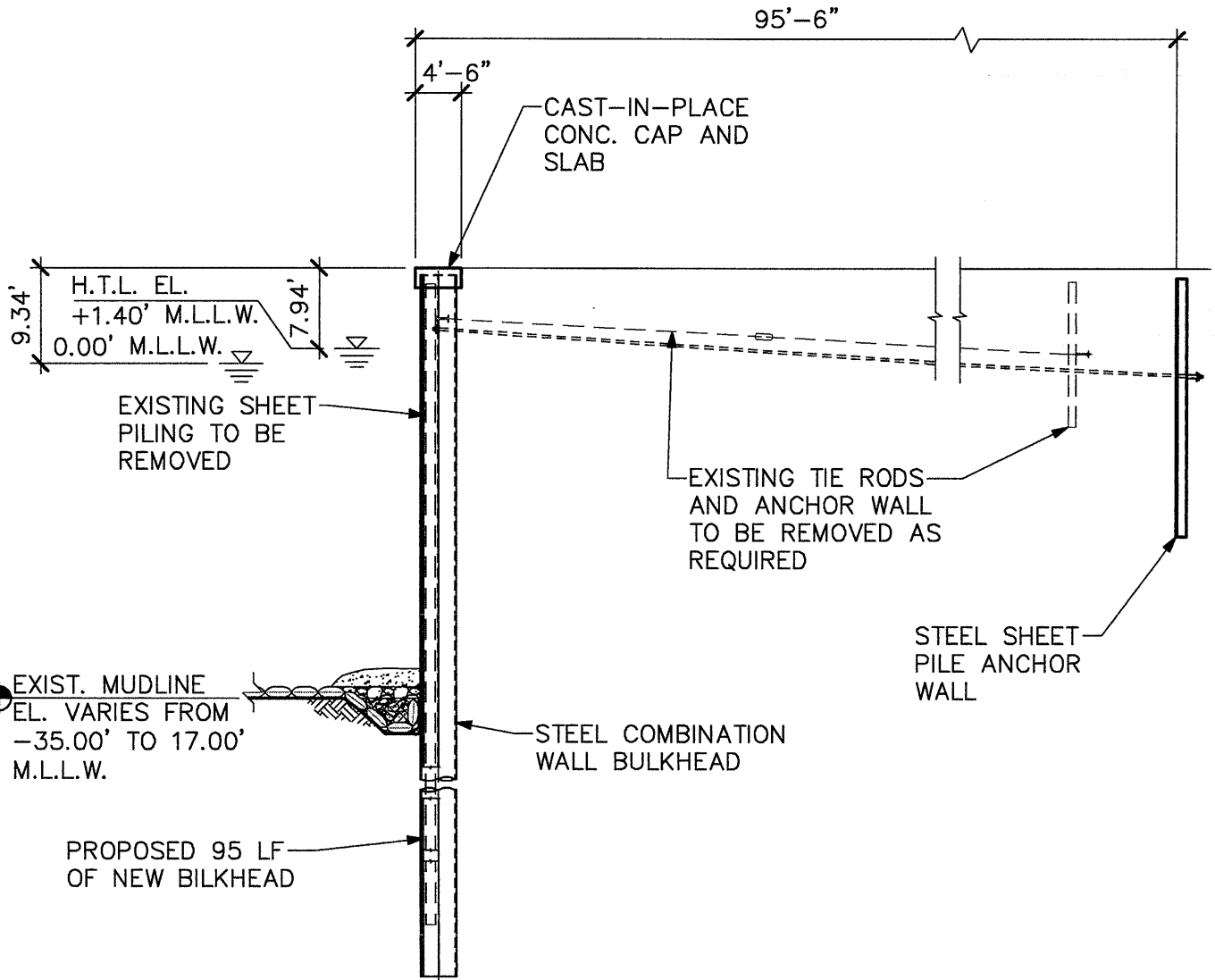
STANLEY SPURLING & HAMILTON, INC.

Consulting Engineering Services

T.B.P.E. REGISTRATION # F-000175

SCALE: <u>1/16"=1'-0"</u>	DWN. BY: <u>KD</u>
DATE: <u>04-23-18</u>	APP. BY: <u>LH</u>
JOB NO.: <u>0695-0012</u>	DWG. NO.: <u>SK-8</u>

3301 Edloe Street, Suite 200 Houston, Texas 77027  
 Phone 713-776-9433 Fax 713-776-2439



5 Section  
SK-9 SCALE: 1/16"=1'-0"

REVISED 04-23-18

SK-9

**PELICAN ISLAND TERMINAL  
BULKHEAD EXPANSION**

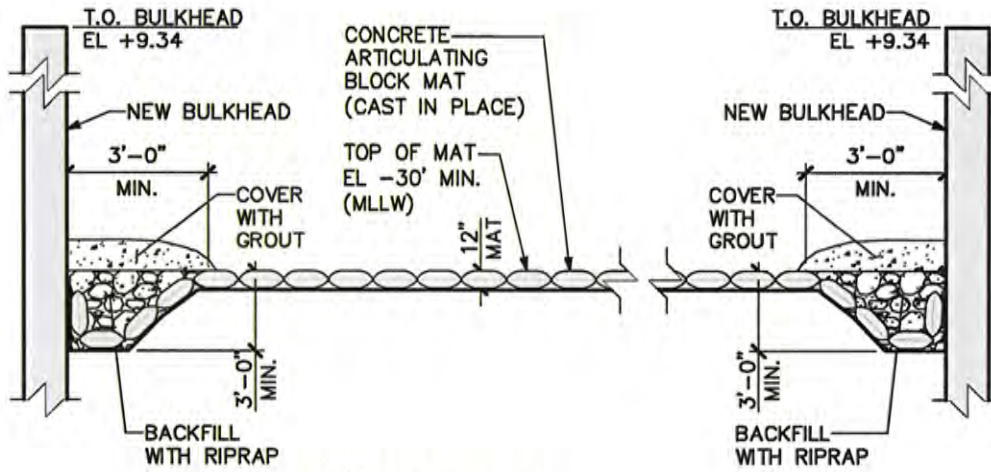


**STANLEY SPURLING & HAMILTON, INC.**

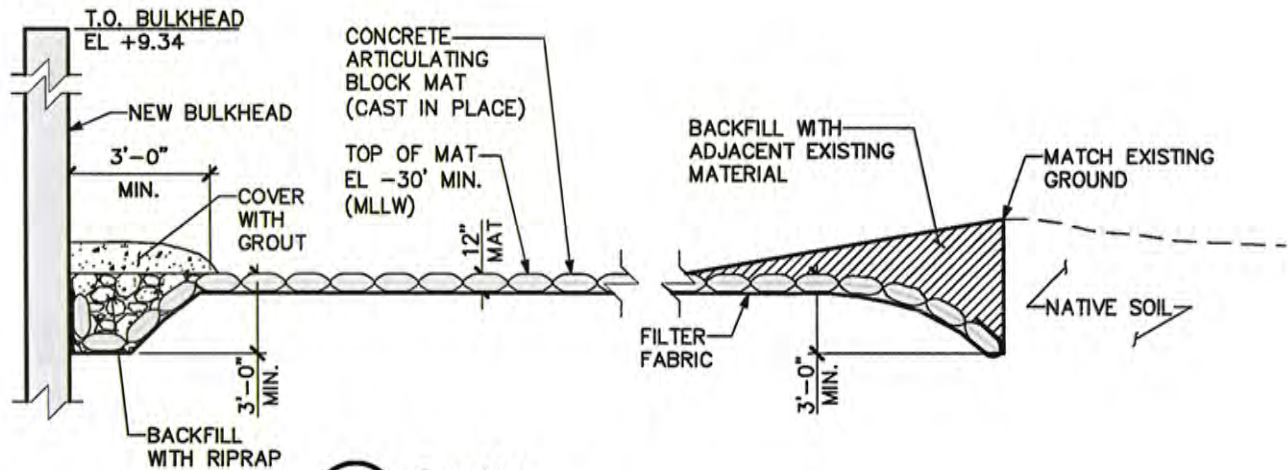
Consulting Engineering Services  
T.B.P.E. REGISTRATION # F-000175

SCALE: 1/16"=1'-0"      DWN. BY: KD  
 DATE: 04-23-18      APP. BY: LH  
 JOB NO.: 0695-0012      DWG. NO.: SK-9

3301 Edloe Street, Suite 200 Houston, Texas 77027  
 Phone 713-776-9433      Fax 713-776-2439



**1** Section  
 SK-10 SCALE: 3/32"=1'-0"



**2** Section  
 SK-10 SCALE: 3/32"=1'-0"

SK-10

**PELICAN ISLAND TERMINAL  
 BULKHEAD EXPANSION**

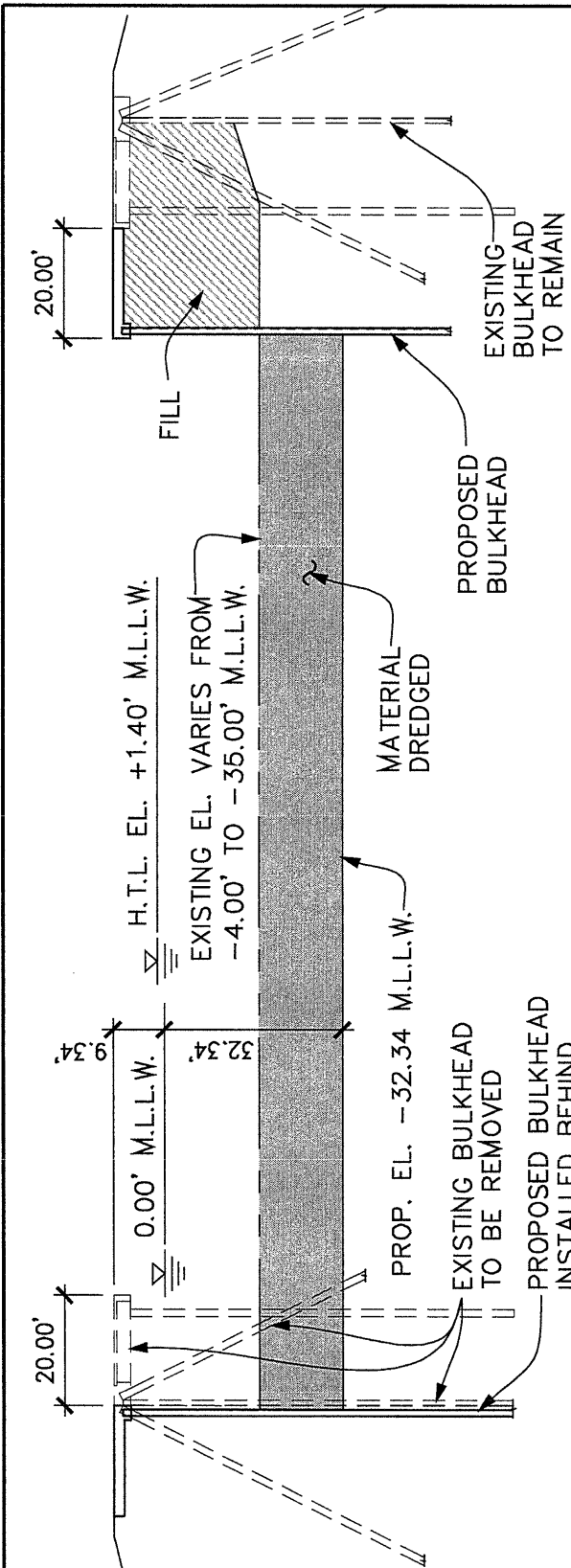


**STANLEY SPURLING & HAMILTON, INC.**

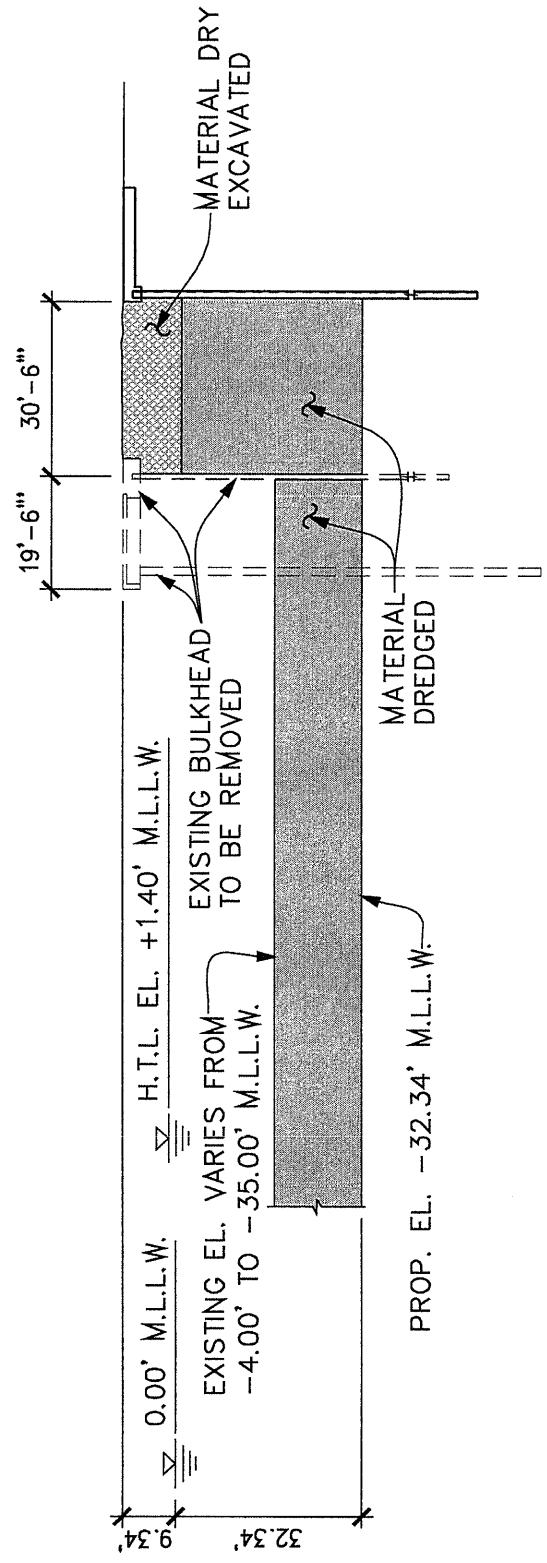
Consulting Engineering Services  
 T.B.P.E. REGISTRATION # F-000175

SCALE: 1/16"=1'-0" DWN. BY: KD  
 DATE: 11-15-17 APP. BY: LH  
 JOB NO.: 0695-0012 DWG. NO.: SK-10

3301 Edloe Street, Suite 200 Houston, Texas 77027  
 Phone 713-776-9433 Fax 713-776-2439



**DREDGING - SECTION 1**  
 SCALE: 1/32" = 1'-0"



**DREDGING - SECTION 2**  
 SCALE: 1/32" = 1'-0"

REVISED 04-23-18

SK-11

**PELICAN ISLAND TERMINAL  
 BULKHEAD EXPANSION**



**STANLEY SPURLING & HAMILTON, INC.**

Consulting Engineering Services  
 T.B.P.E. REGISTRATION # F-000175

3301 Edloe Street, Suite 200 Houston, Texas 77027  
 Phone 713-776-9433 Fax 713-776-2439

SCALE: AS NOTED DWN. BY: KD  
 DATE: 04-23-18 APP. BY: LH  
 JOB NO.: 0695-0012 DWG. NO.: SK-11



**DREDGE STORAGE  
LOCATION**  
SCALE: 1"=200'



SK-12

**PELICAN ISLAND TERMINAL  
BULKHEAD EXPANSION**



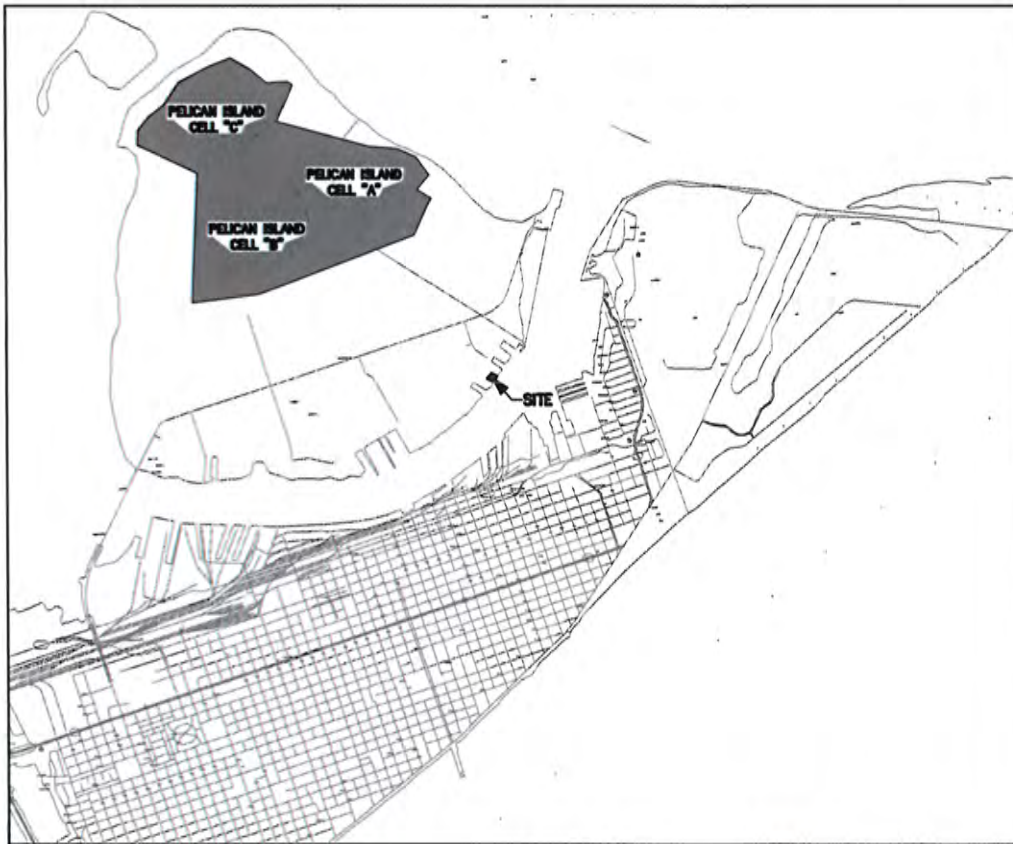
**STANLEY SPURLING & HAMILTON, INC.**

Consulting Engineering Services  
T.B.P.E. REGISTRATION # F-000175

SCALE: 1"=200'  
DATE: 12-07-17  
JOB NO.: 0695-0012

DWN. BY: KD  
APP. BY: LH  
DWG. NO.: SK-12

3301 Edloe Street, Suite 200 Houston, Texas 77027  
Phone 713-776-9433 Fax 713-776-2439



DREDGE PLACEMENT AREA LOCATIONS	
1.	PELICAN ISLAND
2.	ATKINSON ISLAND
3.	SPILMAN ISLAND
4.	ALEXANDER ISLAND
5.	PEGGY LAKE
6.	LOST LAKE
7.	HOUSTON SPOILS LLC (PRIVATE)
8.	GLANVILLE

SK-13

**PELICAN ISLAND TERMINAL BULKHEAD EXPANSION**



**STANLEY SPURLING & HAMILTON, INC.**

Consulting Engineering Services  
T.B.P.E. REGISTRATION # F-000175

SCALE:       N.T.S.       DWN. BY:       KD        
 DATE:       12-07-17       APP. BY:       LH        
 JOB NO.:       0695-0012       DWG. NO.:       SK-13      

3301 Edloe Street, Suite 200 Houston, Texas 77027  
 Phone 713-776-9433 Fax 713-776-2439