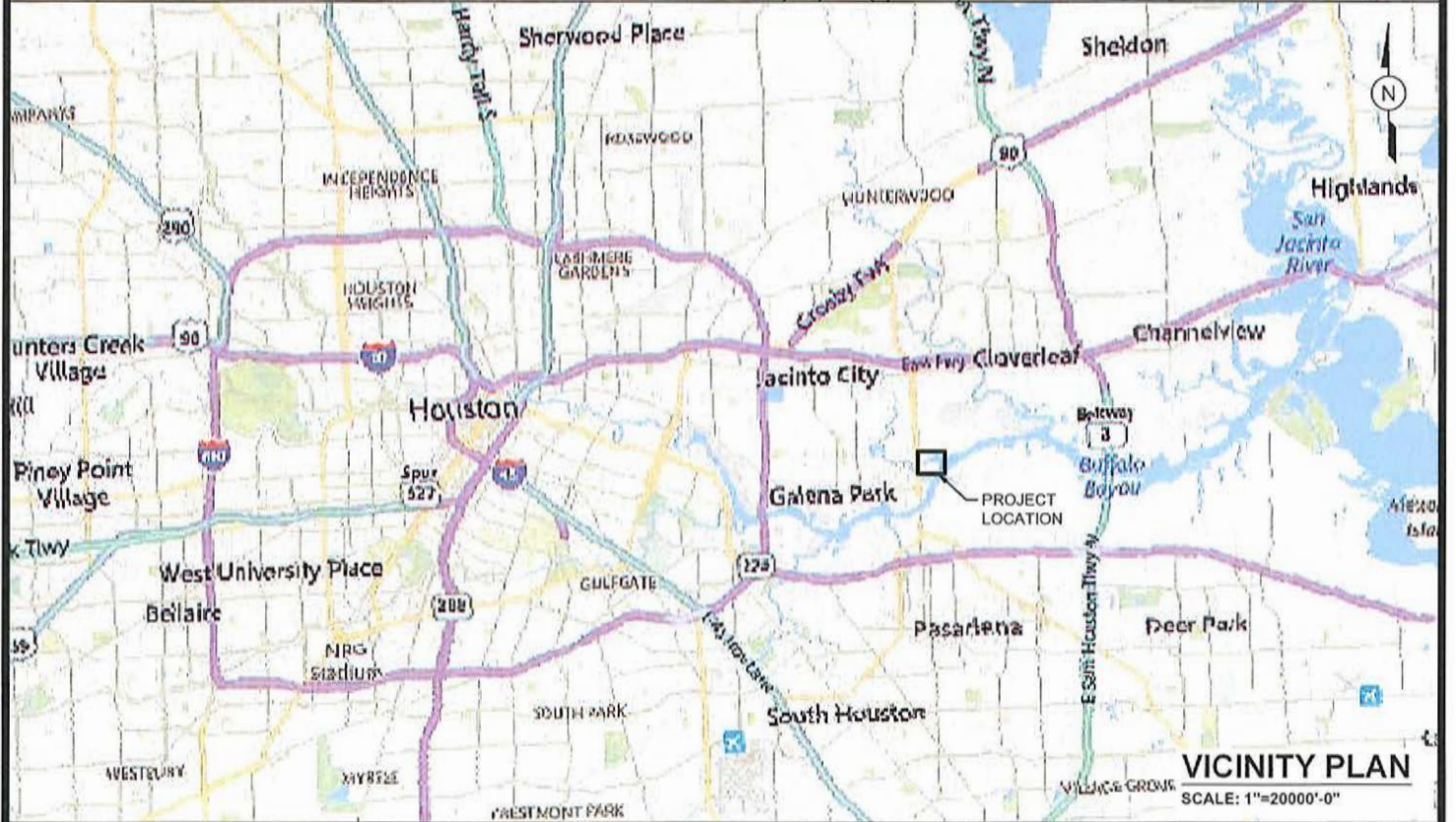



FILE NAME: L:\LEI Projects\Environmental\Targa Resources\Barge Dock 3\5.0 Drawings\Permits\1 COVER.dwg LAYOUT NAME: 1 COVER PLOTTED: Friday, March 20, 2020 - 3:39pm USER: em



LOCATION MAP
SCALE: 1"=500'-0"



VICINITY PLAN
SCALE: 1"=20000'-0"

PURPOSE:	BARGE DOCK 3 PROJECT MAINTENANCE DREDGING PROJECT	OWNER:	TARGA DOWNSTREAM, LLC.	 TARGA	DESIGN BY:	MW
	LOCATION:	GALENA PARK, TX	APPLIED BY:		LLOYD ENGINEERING, INC.	DRAWN BY:
			APPLIC. No:	SWG-1993-01995	SCALE:	AS NOTED
		COUNTY:	HARRIS	DATE:	03/17/20	SHEET No: 1
		WATER BODY:	HOUSTON SHIP CHANNEL			
		DATUM:	MLLW			

FILE NAME: L:\LEI Projects\Environmental\Targa Resources\Barge Dock 3\6.0 Drawings\Permits\2 EXISTING SITE PLAN.dwg LAYOUT NAME: 2 EXISTING SITE PLAN PLOTTED: Friday, March 20, 2020 - 3:46pm USER: em



PURPOSE:	BARGE DOCK 3 PROJECT
LOCATION:	GALENA PARK, TX

OWNER:	TARGA DOWNSTREAM, LLC.
APPLIED BY:	LLOYD ENGINEERING, INC.
APPLIC. No:	SWG-1993-01995
COUNTY:	HARRIS
WATER BODY:	HOUSTON SHIP CHANNEL
DATUM:	MLLW

TARGA

DESIGN BY:	MW
DRAWN BY:	ELM
SCALE:	AS NOTED
DATE:	03/17/20
SHEET No:	2

FILE NAME: L:\LEI Projects\Environmental\Targa Resources\Barge Dock 3\6.0 Drawings\Permits\3 PROPOSED SITE PLAN.dwg LAYOUT NAME: 2 EXISTING SITE PLAN PLOTTED: Friday, March 20, 2020 - 3:47pm USER: em



PURPOSE: BARGE DOCK 3 PROJECT

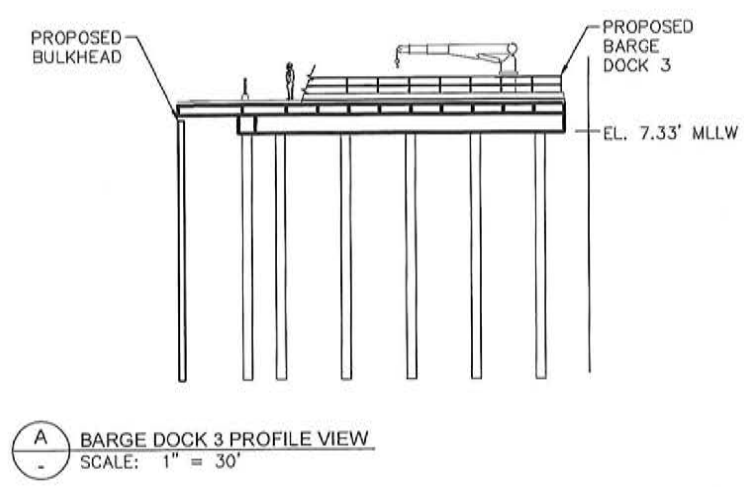
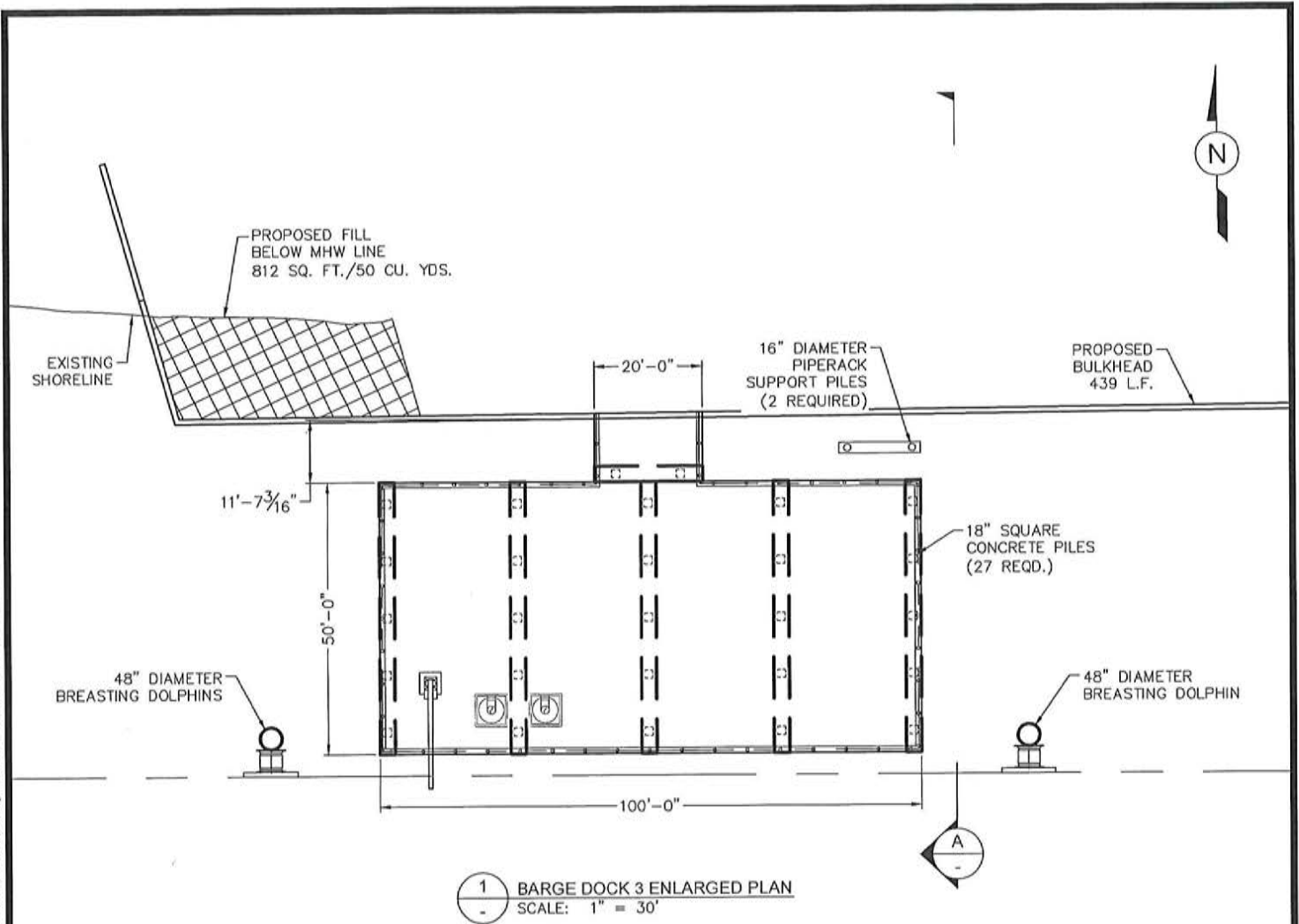
LOCATION: GALENA PARK, TX


OWNER: TARGA DOWNSTREAM, LLC.
 APPLIED BY: LLOYD ENGINEERING, INC.
 APPLIC. No: SWG-1993-01995
 COUNTY: HARRIS
 WATER BODY: HOUSTON SHIP CHANNEL
 DATUM: MLLW



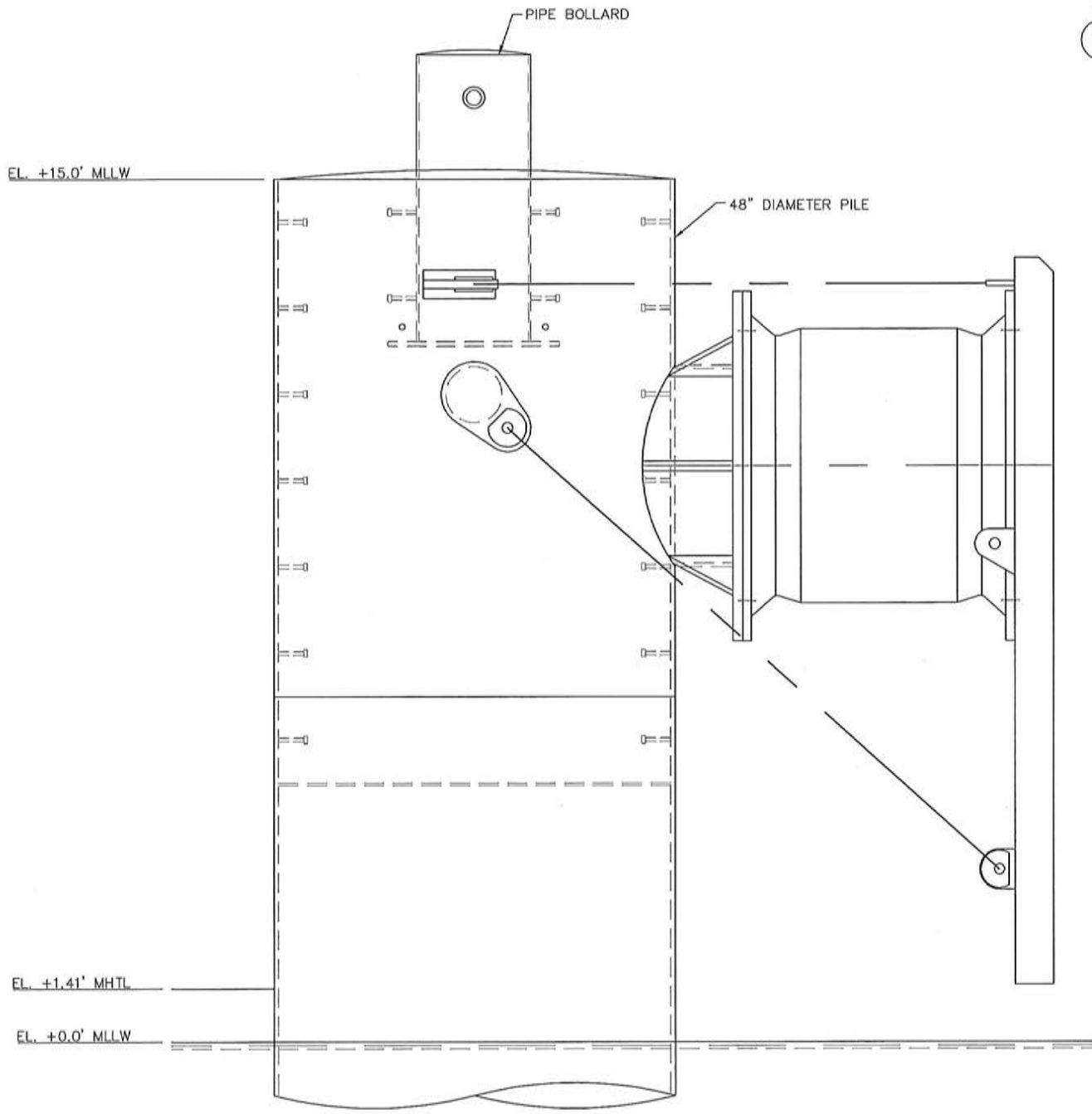
DESIGN BY: MW
 DRAWN BY: ELM
 SCALE: AS NOTED
 DATE: 03/17/20
 SHEET No: 3

FILE NAME: L:\LEI Projects\Environmental\Targa Resources\Barge Dock 3\6.0 Drawings\Permits\4 BARGE DOCK PLAN & PROFILE PLOTTED: Friday, March 20, 2020 - 3:48pm USER: em



PURPOSE:	BARGE DOCK 3 PROJECT	OWNER:	TARGA DOWNSTREAM, LLC.		DESIGN BY:	MW
	LOCATION:	GALENA PARK, TX	APPLIED BY:		LLOYD ENGINEERING, INC.	DRAWN BY:
APPLIC. No:			SWG-1993-01995	SCALE:	AS NOTED	
COUNTY:			HARRIS	DATE:	03/17/20	
WATER BODY:			HOUSTON SHIP CHANNEL	SHEET No:	4	
		DATUM:	MLLW			

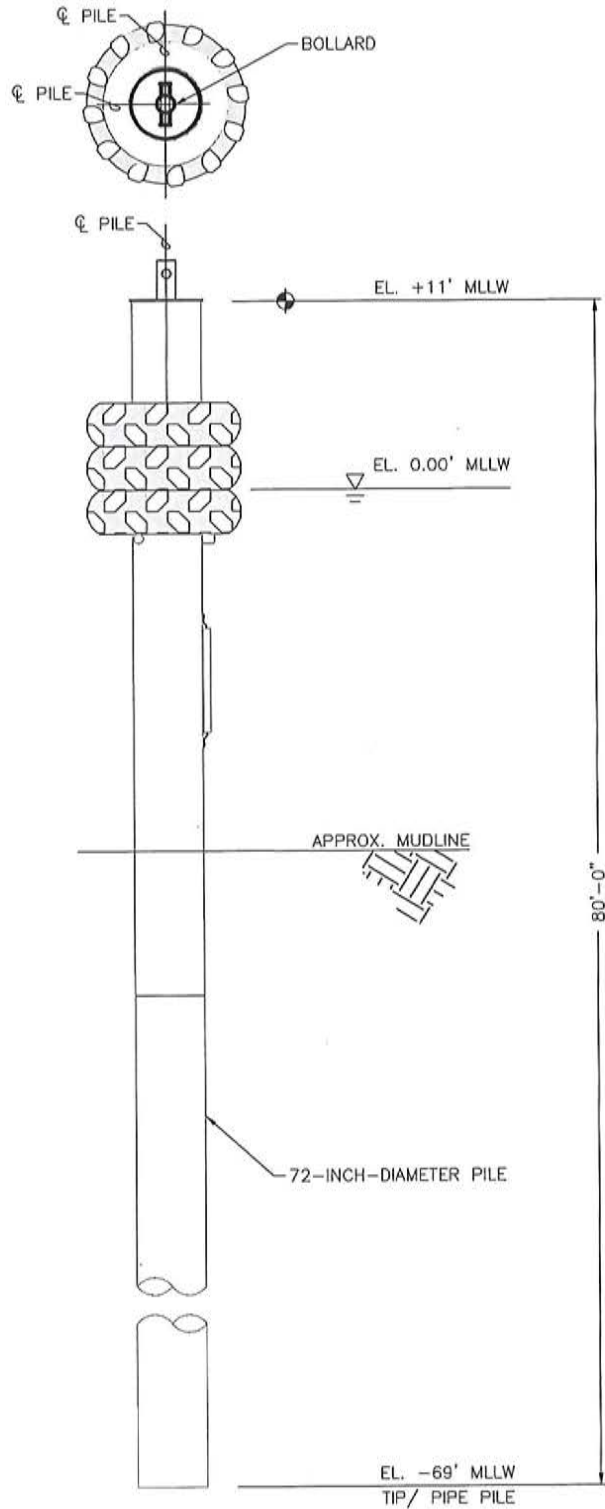
FILE NAME: L:\LEI Projects\Environmental\Targa Resources\Barge Dock 3\6.0 Drawings\Permits\5 TYPICAL BREASTING DOLPHIN.dwg LAYOUT NAME: 4 BARGE DOCK PLAN & PROFILE PLOTTED: Friday, March 20, 2020 - 3:49pm USER: em



○ TYPICAL BREASTING DOLPHIN
SCALE: N.T.S.

PURPOSE:	BARGE DOCK 3 PROJECT	OWNER:	TARGA DOWNSTREAM, LLC.	 TARGA	DESIGN BY:	MW	
		APPLIED BY:	LLOYD ENGINEERING, INC.		DRAWN BY:	ELM	
LOCATION:	GALENA PARK, TX	APPLIC. No:	SWG-1993-01995	SCALE:	AS NOTED	DATE:	03/17/20
		COUNTY:	HARRIS	SHEET No:	5		
		WATER BODY:	HOUSTON SHIP CHANNEL				
		DATUM:	MLLW				

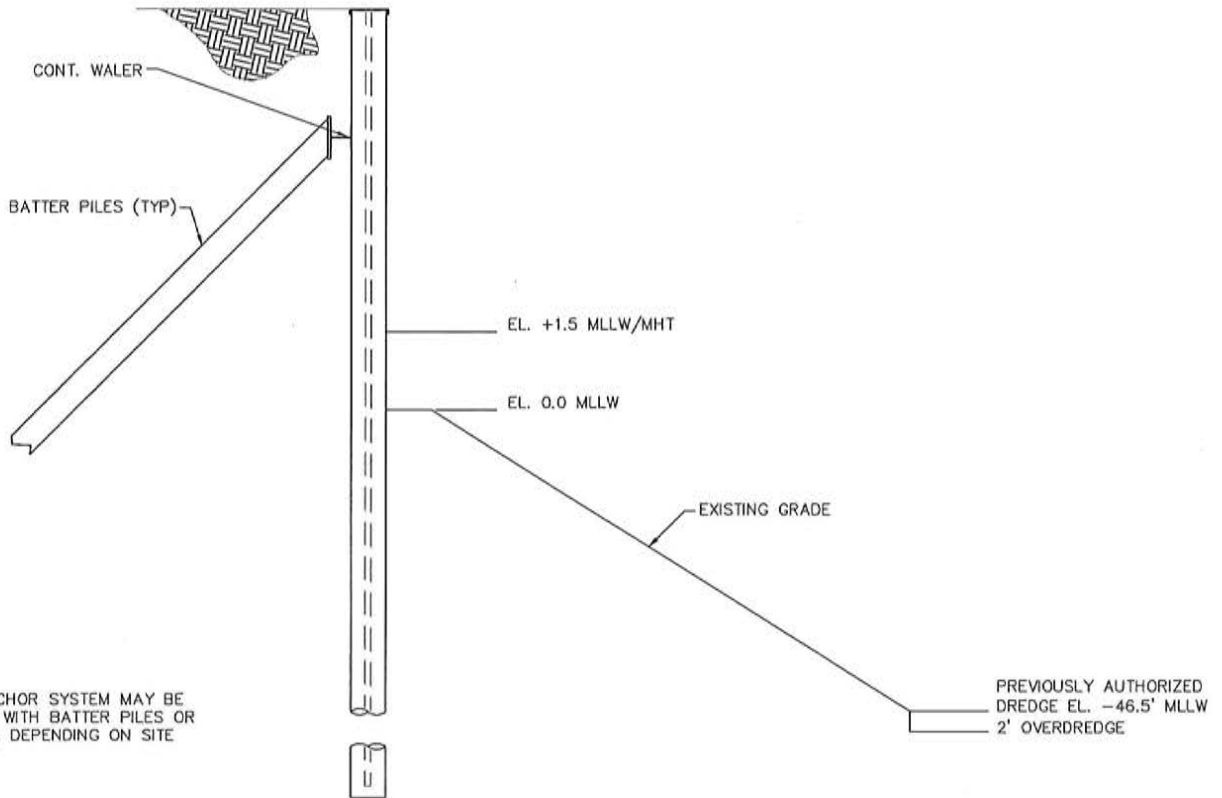
FILE NAME: L:\LEI Projects\Environmental\Targa Resources\Barge Dock 3\6.0 Drawings\Permits\6 TYPICAL MOORING DOLPHIN.dwg LAYOUT NAME: 6 TYPICAL MOORING DOLPHIN PLOTTED: Friday, March 20, 2020 - 3:50pm USER: em



RELOCATED MOORING DOLPHIN
SCALE: N.T.S.

PURPOSE:	BARGE DOCK 3 PROJECT	OWNER:	TARGA DOWNSTREAM, LLC.	 TARGA	DESIGN BY:	MW
	LOCATION:	GALENA PARK, TX	APPLIED BY:		LLOYD ENGINEERING, INC.	DRAWN BY:
APPLIC. No:			SWG-1993-01995	SCALE:	AS NOTED	
COUNTY:			HARRIS	DATE:	03/17/20	
WATER BODY:			HOUSTON SHIP CHANNEL	SHEET No:	6	
		DATUM:	MLLW			

FILE NAME: L:\LEI Projects\Environmental\Targa Resources\Barge Dock 3\6.0 Drawings\Permits\7 BULKHEAD WALL PROFILE.dwg LAYOUT NAME: 4 BARGE DOCK PLAN & PROFILE PLOTTED: Friday, March 20, 2020 - 3:51pm USER: em



NOTE:

BULKHEAD ANCHOR SYSTEM MAY BE CONSTRUCTED WITH BATTER PILES OR ANCHOR WALL, DEPENDING ON SITE GEOLOGY.

TYPICAL BULKHEAD SECTION
SCALE: N.T.S.

PURPOSE:	BARGE DOCK 3 PROJECT	OWNER:	TARGA DOWNSTREAM, LLC.		DESIGN BY:	MW
		APPLIED BY:	LLOYD ENGINEERING, INC.		DRAWN BY:	ELM
APPLIC. No:	SWG-1993-01995	SCALE:	AS NOTED			
LOCATION:	GALENA PARK, TX	COUNTY:	HARRIS		DATE:	03/17/20
		WATER BODY:	HOUSTON SHIP CHANNEL		SHEET No:	7
		DATUM:	MLLW			