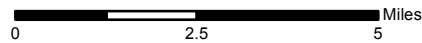


Project Location
Lat: 30.012288°
Long: -93.964532°

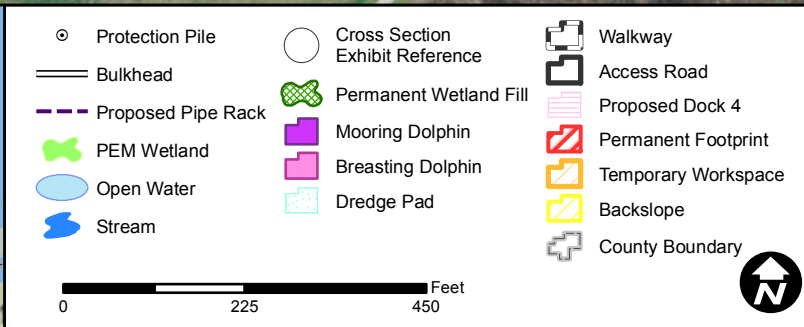
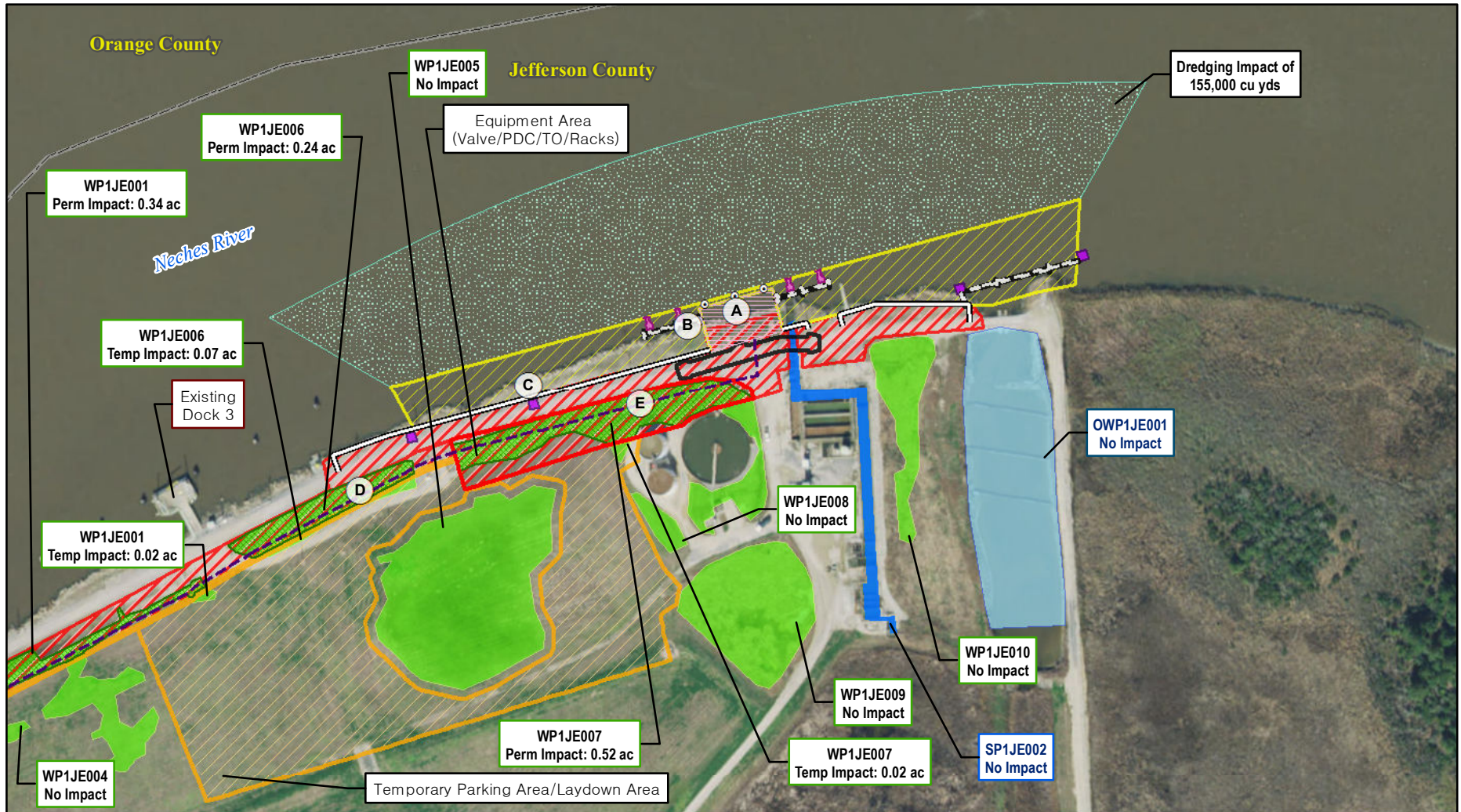


 Project Workspace

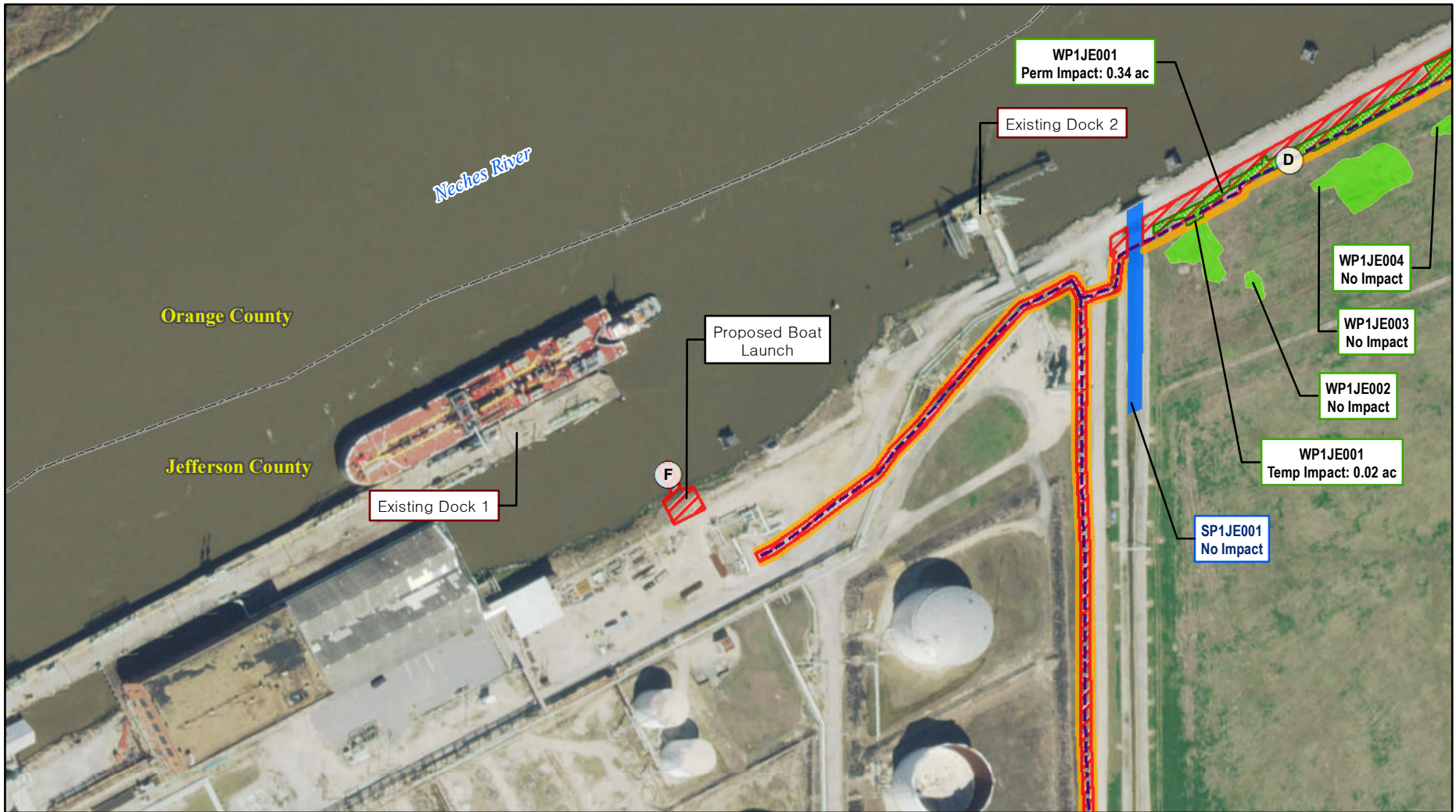


Vicinity Map
Beaumont Terminal Ship Dock 4 Project
Phillips 66 Pipeline LLC
Jefferson County, Texas

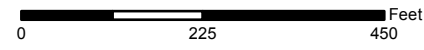
Page 1 of 1	Scale: 1:158,400
NAD83 StatePlane TX SC US ft	Date: September, 2018



Aerial Map Beaumont Terminal Ship Dock 4 Project Phillips 66 Pipeline LLC Jefferson County, Texas	
Page 1 of 4	Scale: 1:2,700
NAD83 StatePlane TX SC US ft	Date: September, 2018



- | | | |
|------------------------|-----------------------------------|-----------------------|
| ⊙ Protection Pile | ○ Cross Section Exhibit Reference | 🚶 Walkway |
| ══ Bulkhead | 🌿 Permanent Wetland Fill | 🛣 Access Road |
| --- Proposed Pipe Rack | 🦏 Mooring Dolphin | 🏗 Proposed Dock 4 |
| 🌿 PEM Wetland | 🛡 Breasting Dolphin | 🔴 Permanent Footprint |
| 🌊 Open Water | 🏠 Dredge Pad | 🟡 Temporary Workspace |
| 🌊 Stream | | 🟠 Backslope |
| | | 🗺 County Boundary |



Aerial Map
Beaumont Terminal Ship Dock 4 Project
Phillips 66 Pipeline LLC
Jefferson County, Texas

Page 2 of 4	Scale: 1:2,700
NAD83 StatePlane TX SC US ft	Date: September, 2018



⊙ Protection Pile	○ Cross Section Exhibit Reference	🚶 Walkway
══ Bulkhead	🌿 Permanent Wetland Fill	🚚 Access Road
--- Proposed Pipe Rack	🦏 Mooring Dolphin	🏗️ Proposed Dock 4
🌿 PEM Wetland	🚢 Breasting Dolphin	🔴 Permanent Footprint
🌊 Open Water	🏗️ Dredge Pad	🟡 Temporary Workspace
🌊 Stream		🟡 Backslope
		🗺️ County Boundary

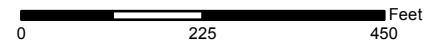
0 225 450 Feet

Aerial Map
Beaumont Terminal Ship Dock 4 Project
Phillips 66 Pipeline LLC
Jefferson County, Texas

Page 3 of 4	Scale: 1:2,700
NAD83 StatePlane TX SC US ft	Date: September, 2018

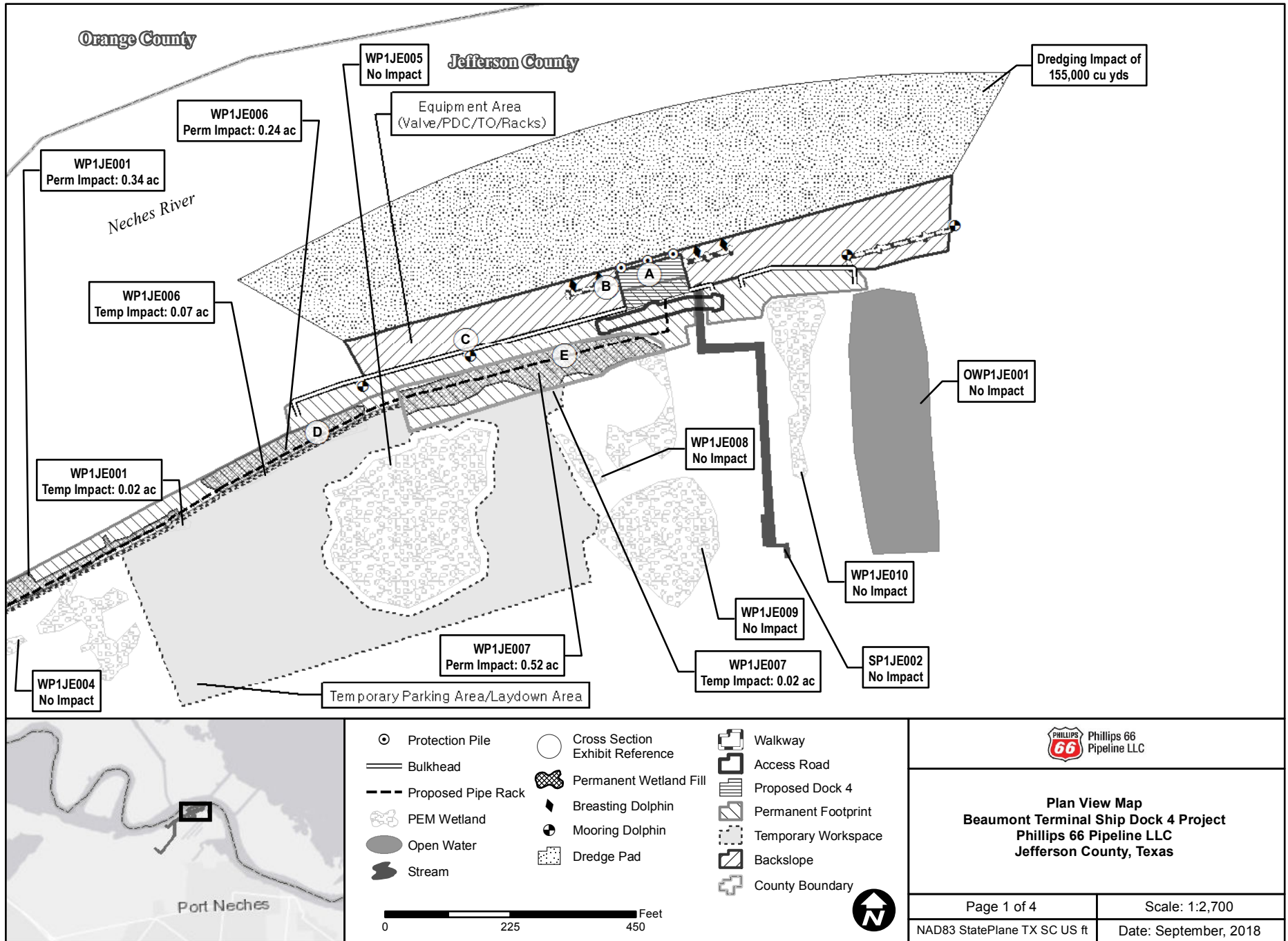


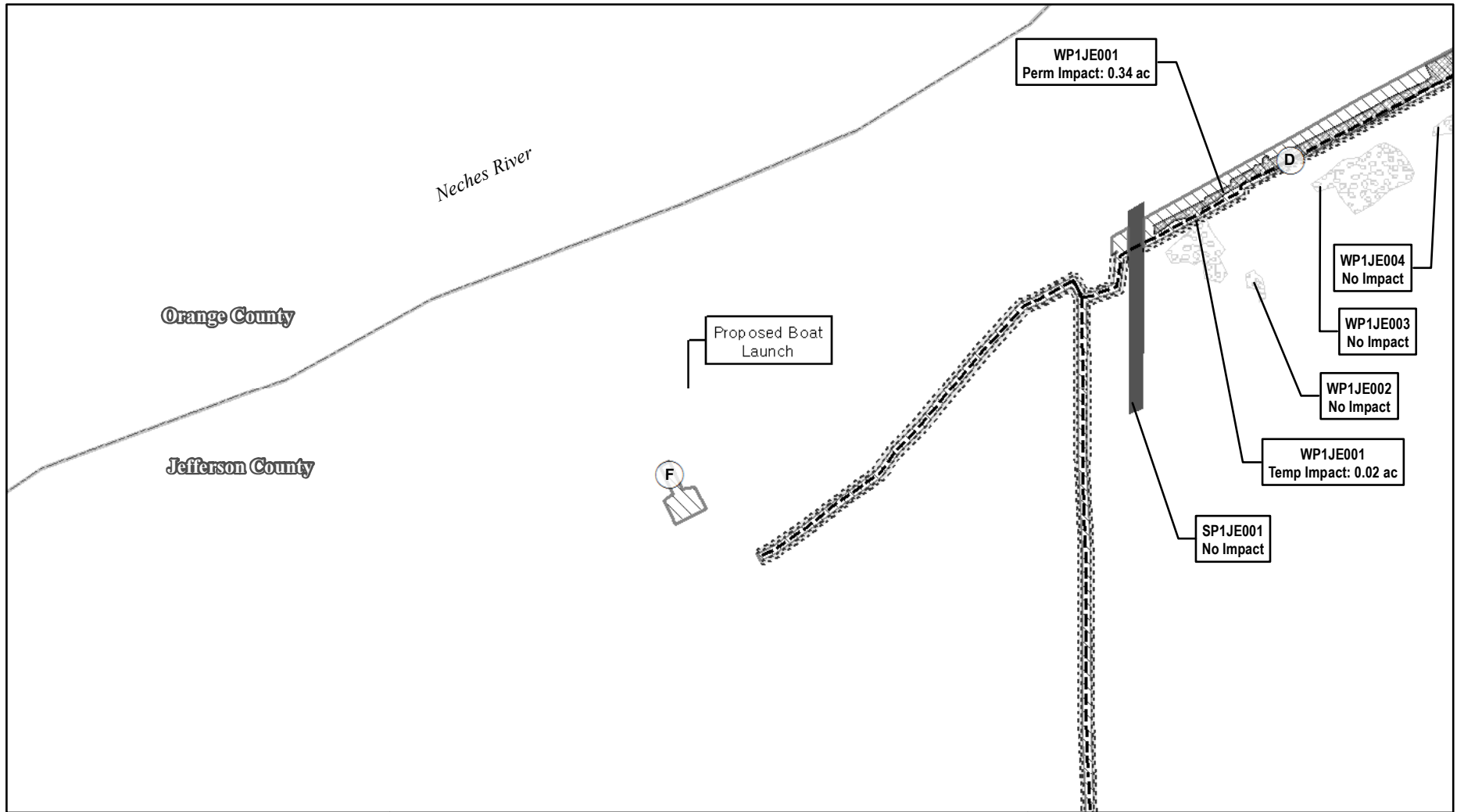
- | | | |
|------------------------|-----------------------------------|------------------------|
| ⊙ Protection Pile | ○ Cross Section Exhibit Reference | 🚶 Walkway |
| ══ Bulkhead | 🌿 Permanent Wetland Fill | 🚚 Access Road |
| --- Proposed Pipe Rack | 🦏 Mooring Dolphin | 🏗️ Proposed Dock 4 |
| 🌿 PEM Wetland | 🦏 Breasting Dolphin | 🚧 Permanent Footprint |
| 🌊 Open Water | 🏗️ Dredge Pad | 🏗️ Temporary Workspace |
| 🌊 Stream | | 🚧 Backslope |
| | | 🗺️ County Boundary |



Aerial Map
Beaumont Terminal Ship Dock 4 Project
Phillips 66 Pipeline LLC
Jefferson County, Texas

Page 4 of 4	Scale: 1:2,700
NAD83 StatePlane TX SC US ft	Date: September, 2018



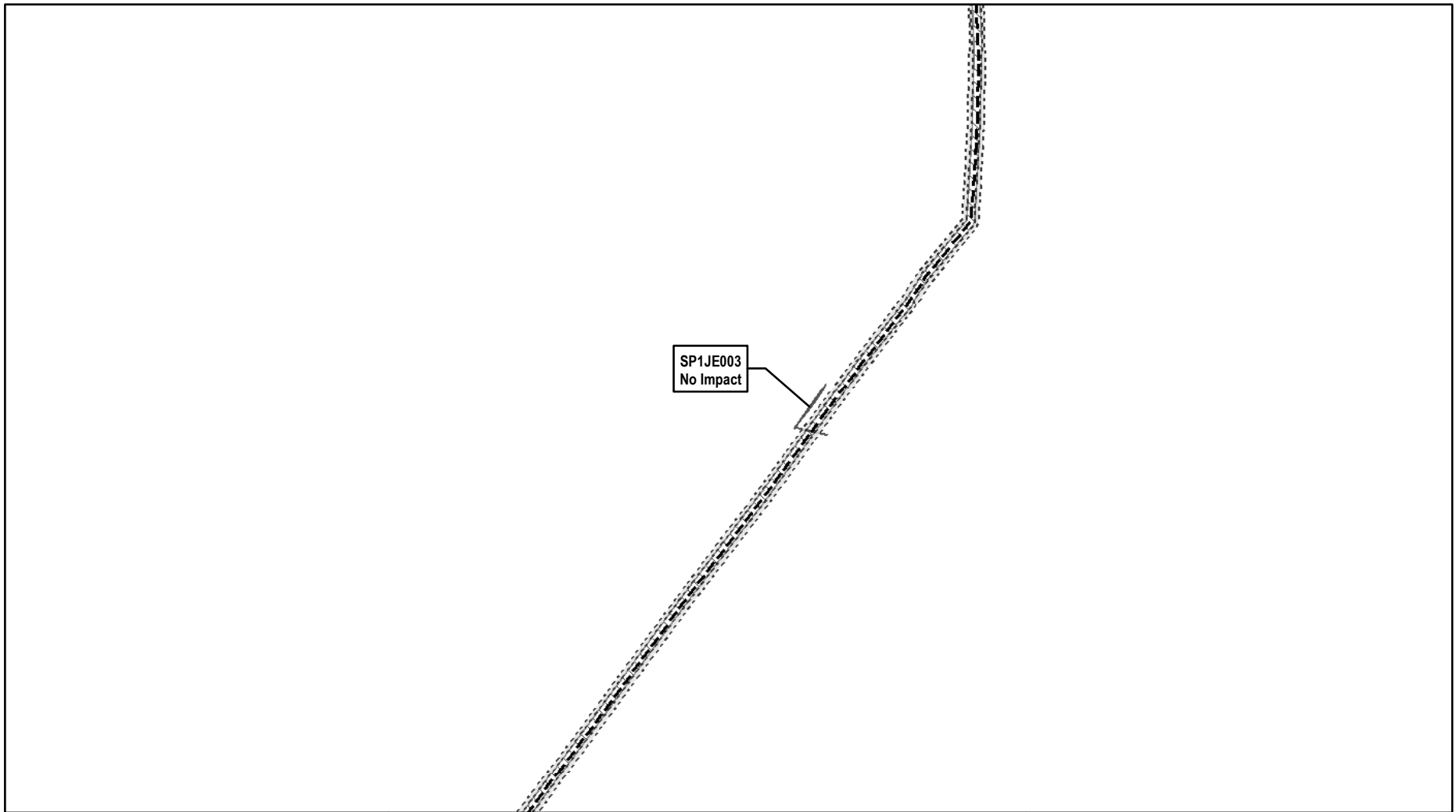


⊙ Protection Pile	○ Cross Section Exhibit Reference	▬ Walkway
▬ Bulkhead	▨ Permanent Wetland Fill	▬ Access Road
- - - Proposed Pipe Rack	◀ Breasting Dolphin	▨ Proposed Dock 4
◉ PEM Wetland	⊕ Mooring Dolphin	▨ Permanent Footprint
○ Open Water	▨ Dredge Pad	▨ Temporary Workspace
▬ Stream		▨ Backslope
		▬ County Boundary

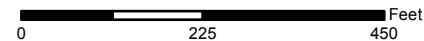
0 225 450 Feet

Plan View Map
Beaumont Terminal Ship Dock 4 Project
Phillips 66 Pipeline LLC
Jefferson County, Texas

Page 2 of 4	Scale: 1:2,700
NAD83 StatePlane TX SC US ft	Date: September, 2018



- | | | |
|--------------------------|-----------------------------------|-----------------------|
| ⊙ Protection Pile | ○ Cross Section Exhibit Reference | ▭ Walkway |
| ▬ Bulkhead | ▨ Permanent Wetland Fill | ▭ Access Road |
| - - - Proposed Pipe Rack | ▲ Breasting Dolphin | ▨ Proposed Dock 4 |
| ☁ PEM Wetland | ⊕ Mooring Dolphin | ▨ Permanent Footprint |
| ● Open Water | ▨ Dredge Pad | ▨ Temporary Workspace |
| ▬ Stream | | ▨ Backslope |
| | | ⊕ County Boundary |

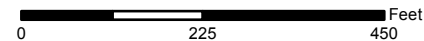


Plan View Map
Beaumont Terminal Ship Dock 4 Project
Phillips 66 Pipeline LLC
Jefferson County, Texas

Page 3 of 4	Scale: 1:2,700
NAD83 StatePlane TX SC US ft	Date: September, 2018

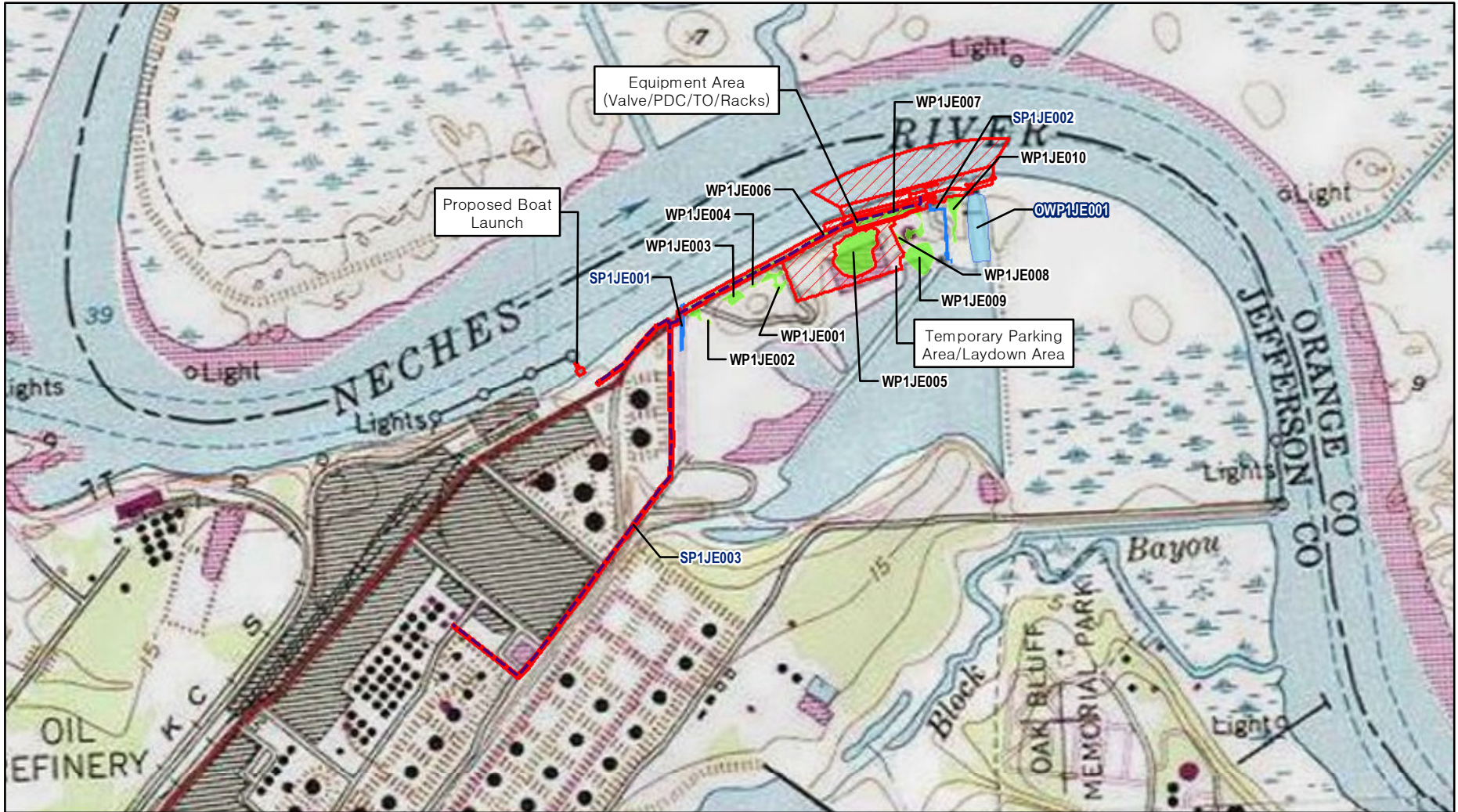


- | | | |
|--------------------------|-----------------------------------|-----------------------|
| ⊙ Protection Pile | ○ Cross Section Exhibit Reference | ▭ Walkway |
| ▬ Bulkhead | ▨ Permanent Wetland Fill | ▭ Access Road |
| - - - Proposed Pipe Rack | ◀ Breasting Dolphin | ▨ Proposed Dock 4 |
| ◉ PEM Wetland | ⊕ Mooring Dolphin | ▨ Permanent Footprint |
| ● Open Water | ▨ Dredge Pad | ▨ Temporary Workspace |
| ▬ Stream | | ▨ Backslope |
| | | ⊕ County Boundary |



Plan View Map
Beaumont Terminal Ship Dock 4 Project
Phillips 66 Pipeline LLC
Jefferson County, Texas

Page 4 of 4	Scale: 1:2,700
NAD83 StatePlane TX SC US ft	Date: September, 2018



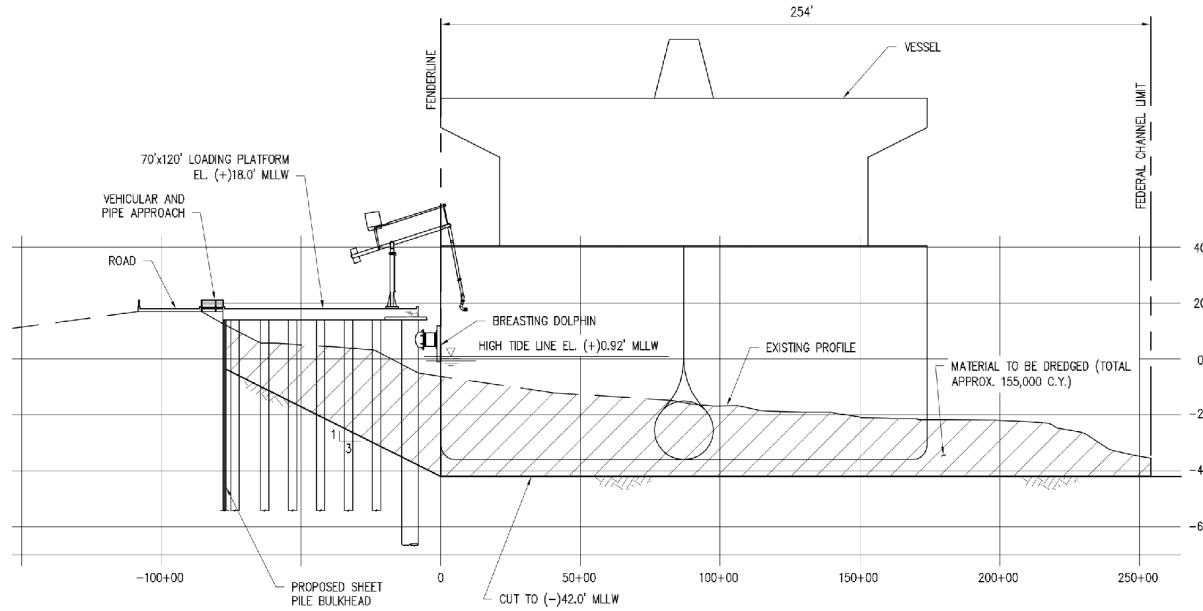
- Proposed Pipe Rack
- PEM Wetland
- Open Water
- Stream
- Limits of Disturbance

0 500 1,000 Feet

Phillips 66 Pipeline LLC

Topographic Map
Beaumont Terminal Ship Dock 4 Project
Phillips 66 Pipeline LLC
Jefferson County, Texas

Page 1 of 1	Scale: 1:12,000
NAD83 StatePlane TX SC US ft	Date: September, 2018



NOTE:
 THIS PROJECT DOES NOT REQUIRE
 FILL BELOW THE ORDINARY HIGH
 WATER MARK.

PROPOSED DOCK CROSS

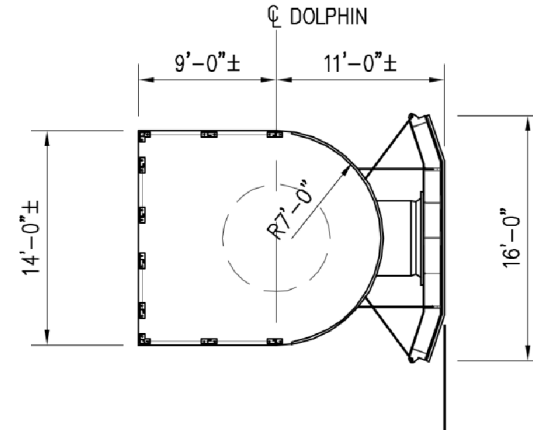
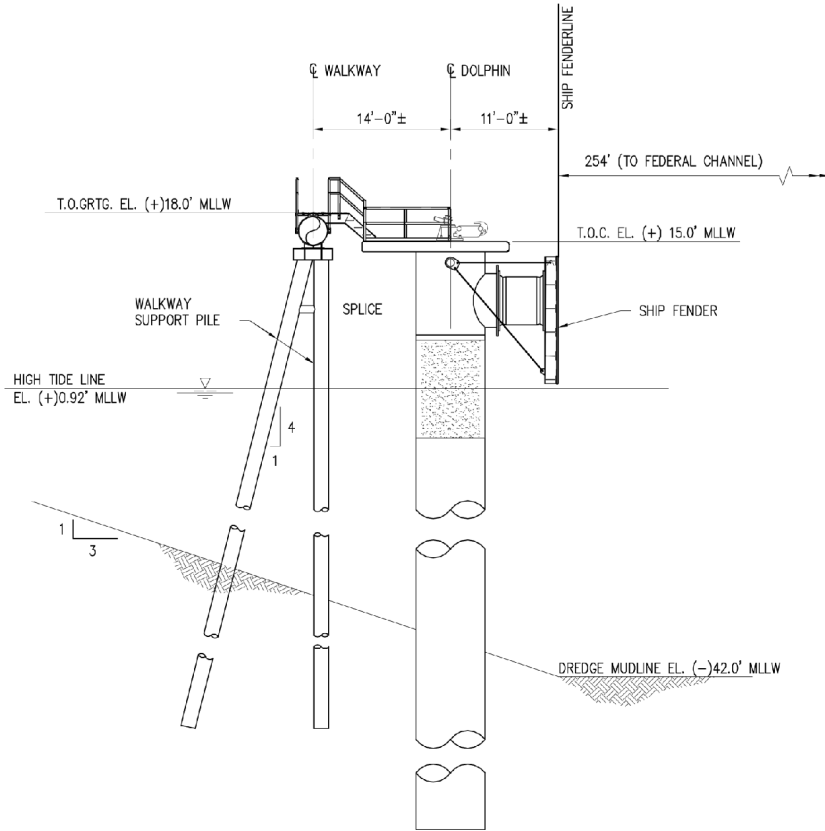


**Exhibit A
 Beaumont Terminal Ship Dock 4 Project
 Phillips 66 Pipeline LLC
 Jefferson County, Texas**



**Phillips 66
 Pipeline LLC**

Date: September, 2018



TYPICAL BREASTING DOLPHIN CROSS

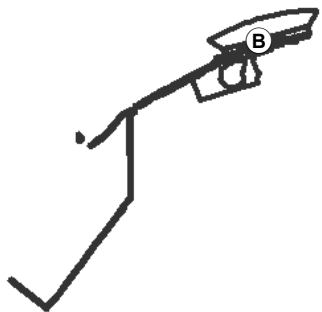


Exhibit B
Beaumont Terminal Ship Dock 4 Project
Phillips 66 Pipeline LLC
Jefferson County, Texas



Phillips 66
Pipeline LLC

Date: September, 2018

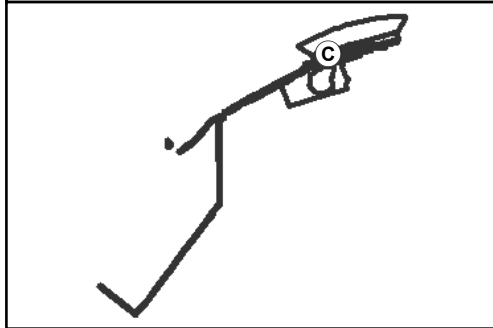
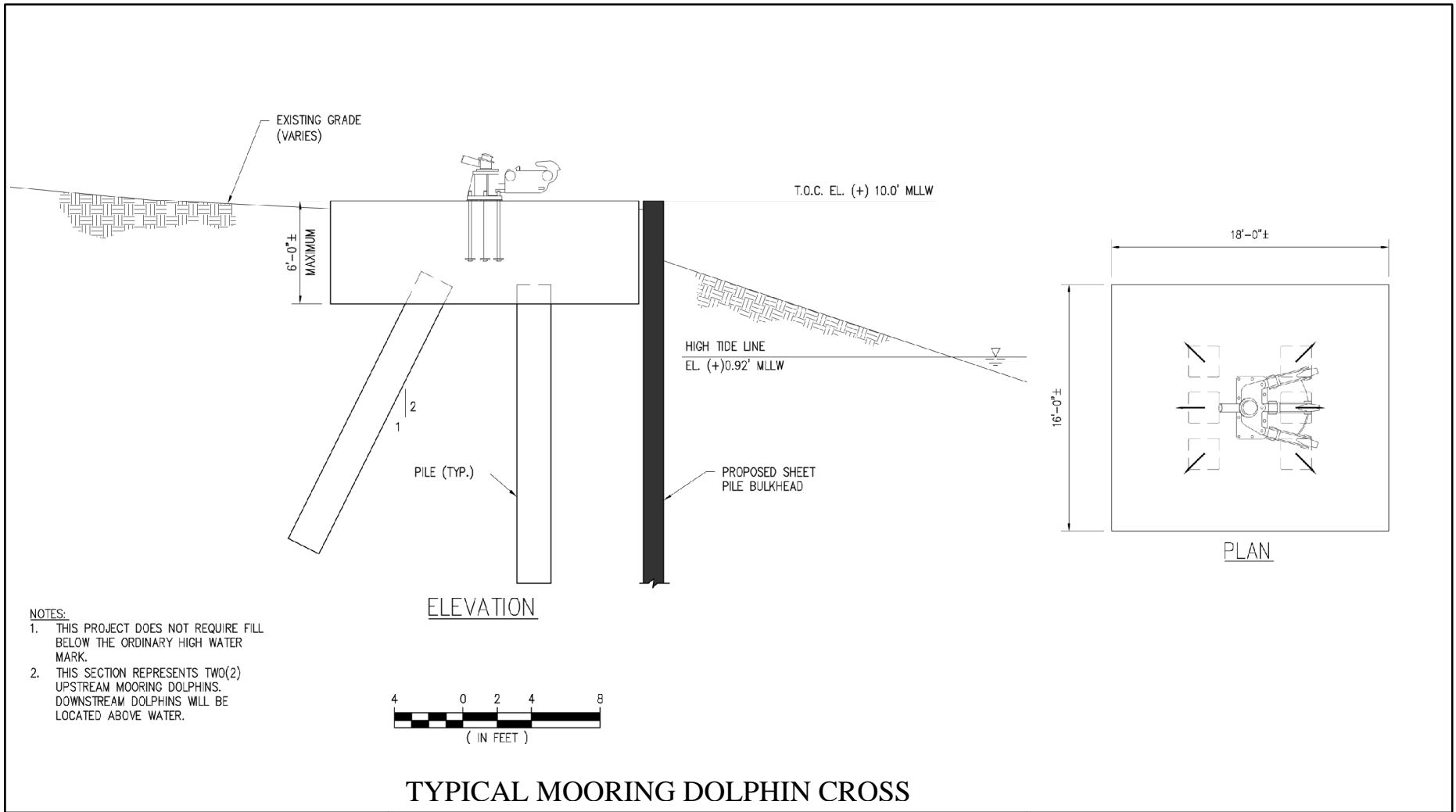


Exhibit C
Beaumont Terminal Ship Dock 4 Project
Phillips 66 Pipeline LLC
Jefferson County, Texas



Date: September, 2018

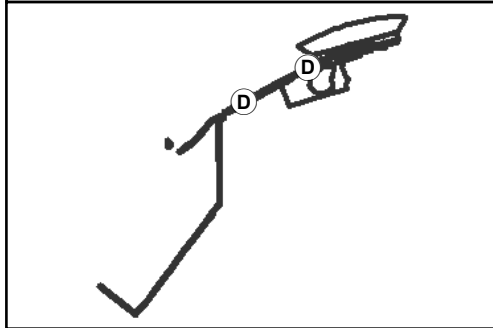
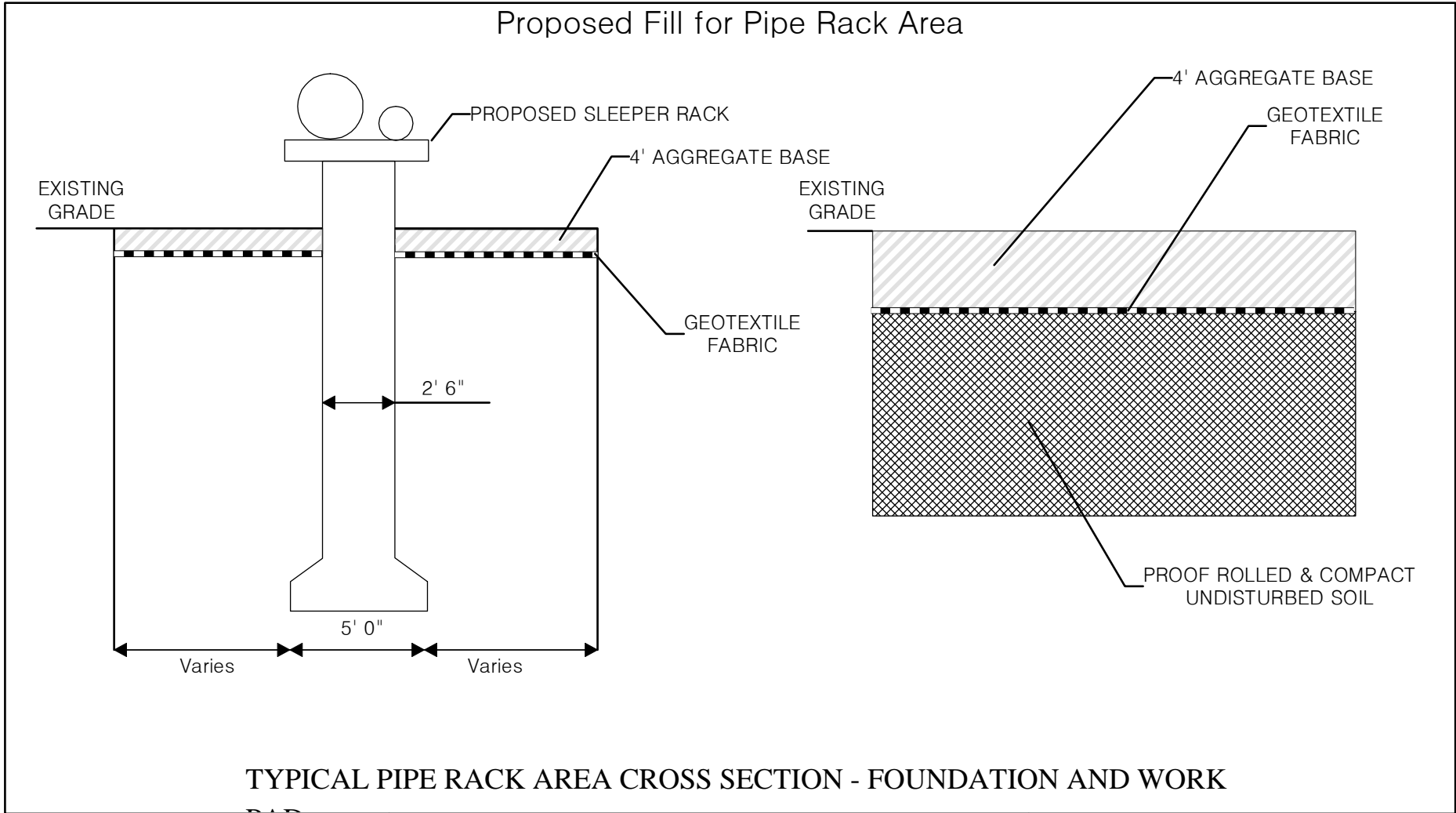



Exhibit D
Beaumont Terminal Ship Dock 4 Project
Phillips 66 Pipeline LLC
Jefferson County, Texas

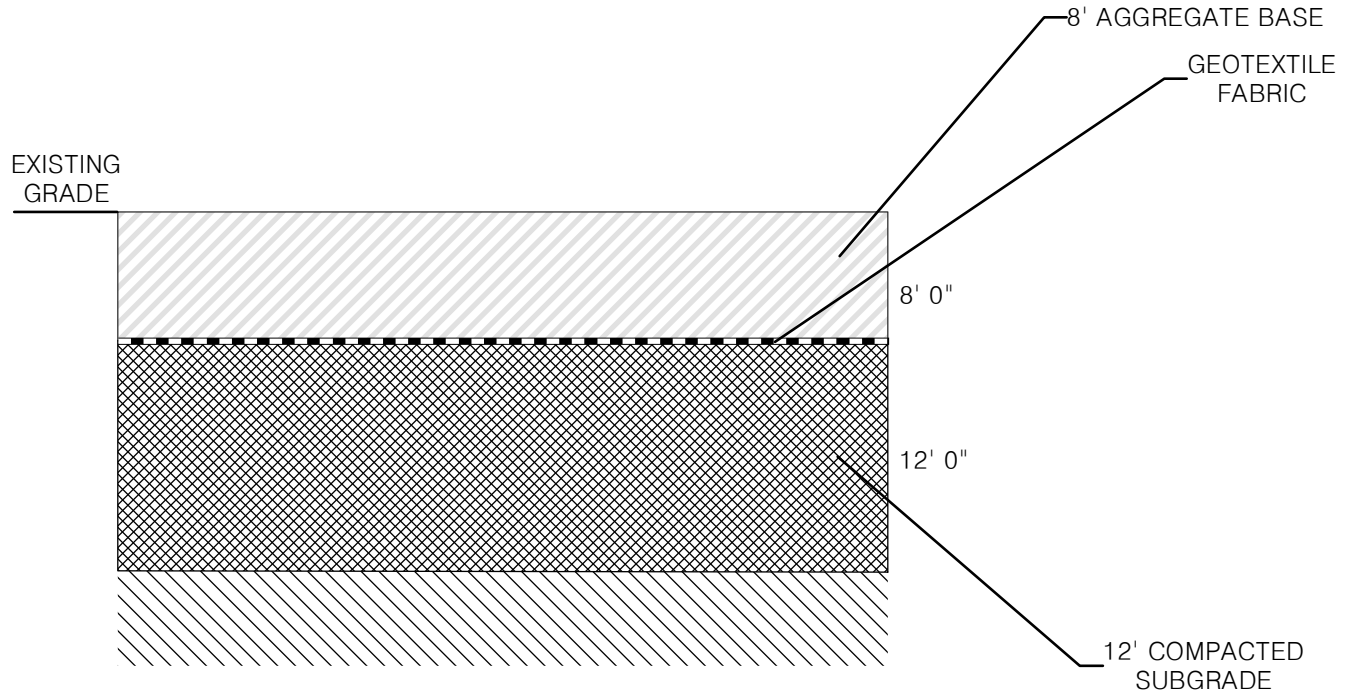


Phillips 66 Pipeline LLC

Not to scale

Date: September, 2018

Proposed Fill for Equipment Area (Valve/PDC/TO/Racks)



TYPICAL EQUIPMENT AREA CROSS SECTION - WORK

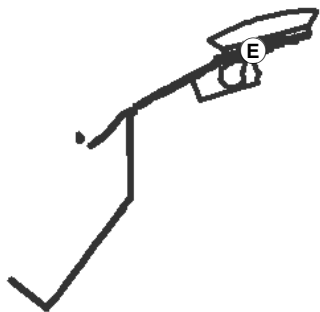


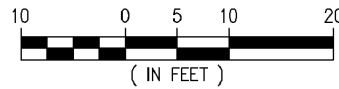
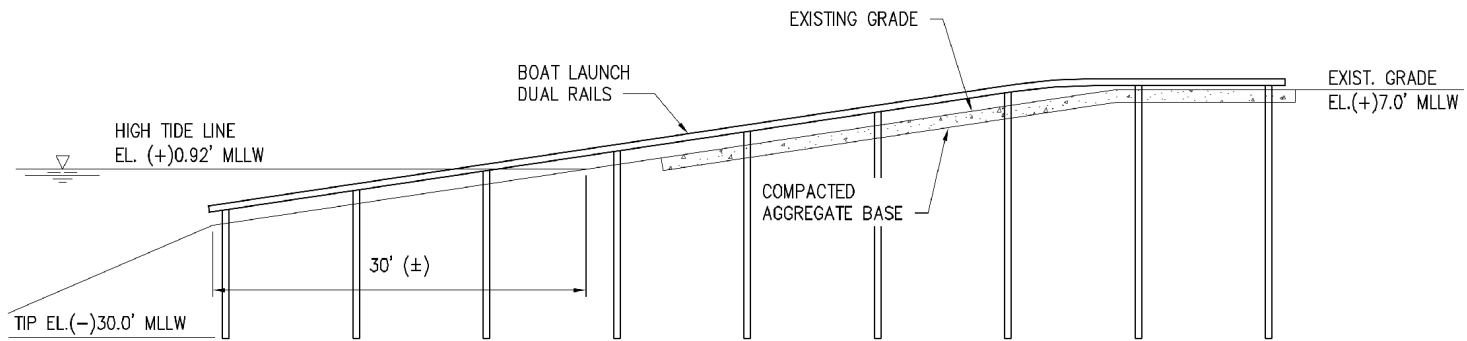
Exhibit E
Beaumont Terminal Ship Dock 4 Project
Phillips 66 Pipeline LLC
Jefferson County, Texas



Phillips 66
Pipeline LLC

Not to scale

Date: September, 2018



TYPICAL BOAT LAUNCH CROSS

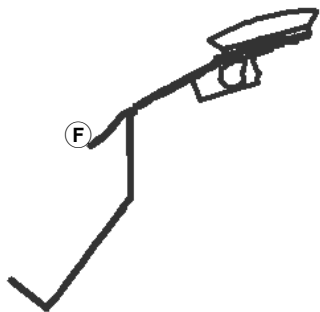
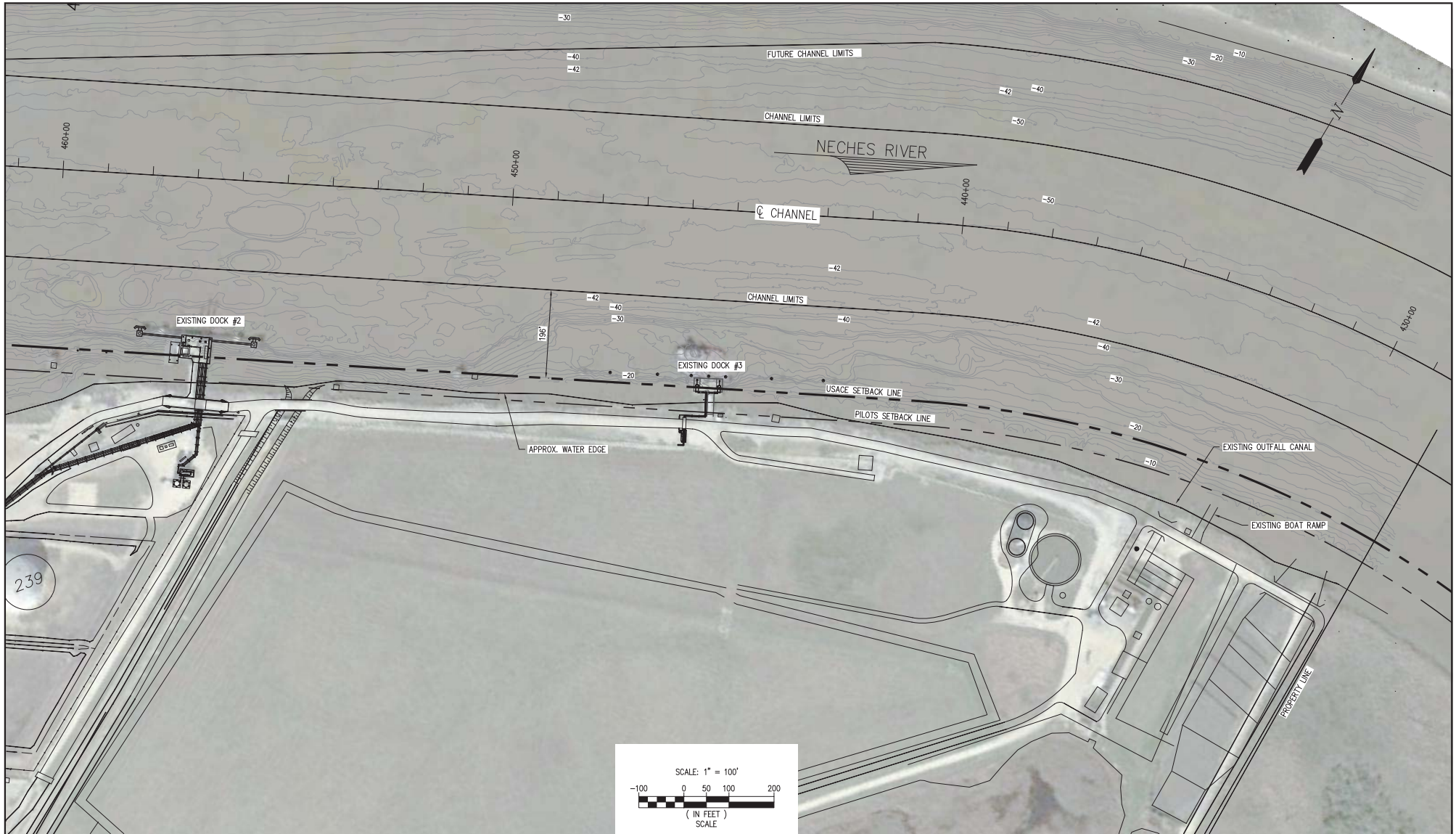


Exhibit F
Beaumont Terminal Ship Dock 4 Project
Phillips 66 Pipeline LLC
Jefferson County, Texas



Phillips 66
Pipeline LLC

Date: September, 2018



LANIER & ASSOCIATES
CONSULTING ENGINEERS
INCORPORATED
F-2981
NEW ORLEANS, LA • BEAUMONT, TX

THIS DESIGN AND DRAWING IS THE EXCLUSIVE PROPERTY OF LANIER AND ASSOCIATES CONSULTING ENGINEERS, INC.. REPRODUCTION OF THIS DRAWING IN WHOLE OR IN PART WITHOUT THE WRITTEN CONSENT OF LANIER AND ASSOCIATES IS EXPRESSLY FORBIDDEN.

REV.	DATE	BY	DESCRIPTION

THIS PLAN HAS BEEN PREPARED UNDER MY CLOSE PERSONAL SUPERVISION. TO THE BEST OF MY KNOWLEDGE IT COMPLIES WITH ALL REQUIREMENTS.

DATE: APR. 18
SCALE: NOTED
DESIGN: *
DRAWN: *
CHECK: *
APPR'D: *
CAD: NO. 10207.SPI

PHILLIPS 66	
NEderland	TEXAS
BEAUMONT TERMINAL	
NEW SHIP DOCK #4 HYDROGRAPHIC SURVEY	
EXISTING SITE PLAN	

SHEET NO.
10707-18



LANIER & ASSOCIATES
CONSULTING ENGINEERS
INCORPORATED
LA:C-1120
NEW ORLEANS, LA F-2981
BEAUMONT, TX

PRELIMINARY - FOR PERMIT PURPOSES

NEDERLAND

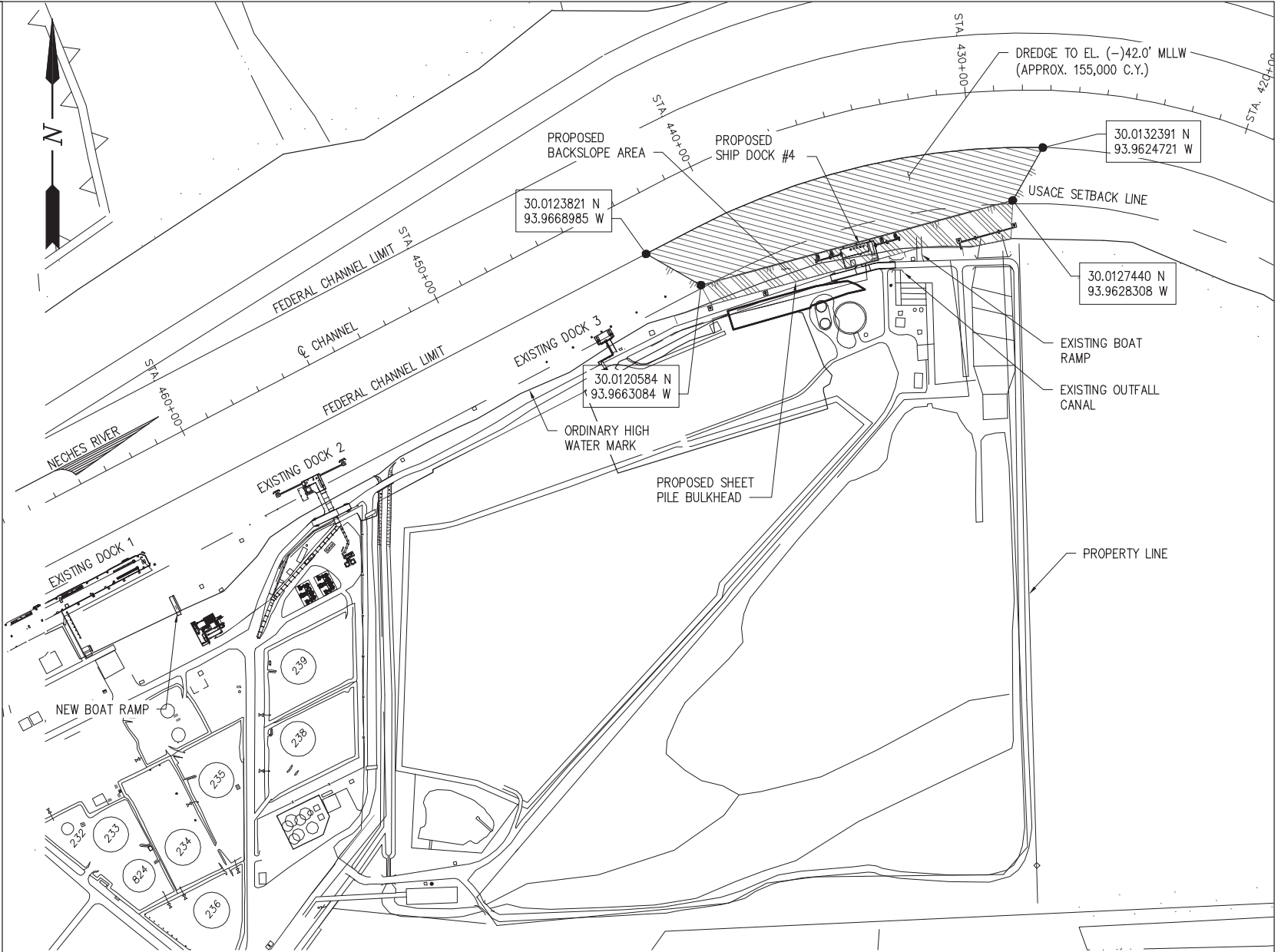
PHILLIPS 66

TEXAS

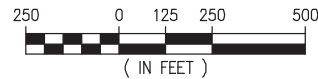
**BEAUMONT TERMINAL
PROPOSED SHIP DOCK 4
DREDGE PLAN**

DATE JUL '18
DESIGN MJS
DRAWN JDM
CHECK BNF
CONTRACT 10707
SHEET NO.

10707-P11



DREDGE PLAN





LANIER & ASSOCIATES
CONSULTING ENGINEERS
INCORPORATED
LA: C-1120
NEW ORLEANS, LA
F-2981
BEAUMONT, TX

PRELIMINARY - FOR PERMIT PURPOSES

NEBERLAND

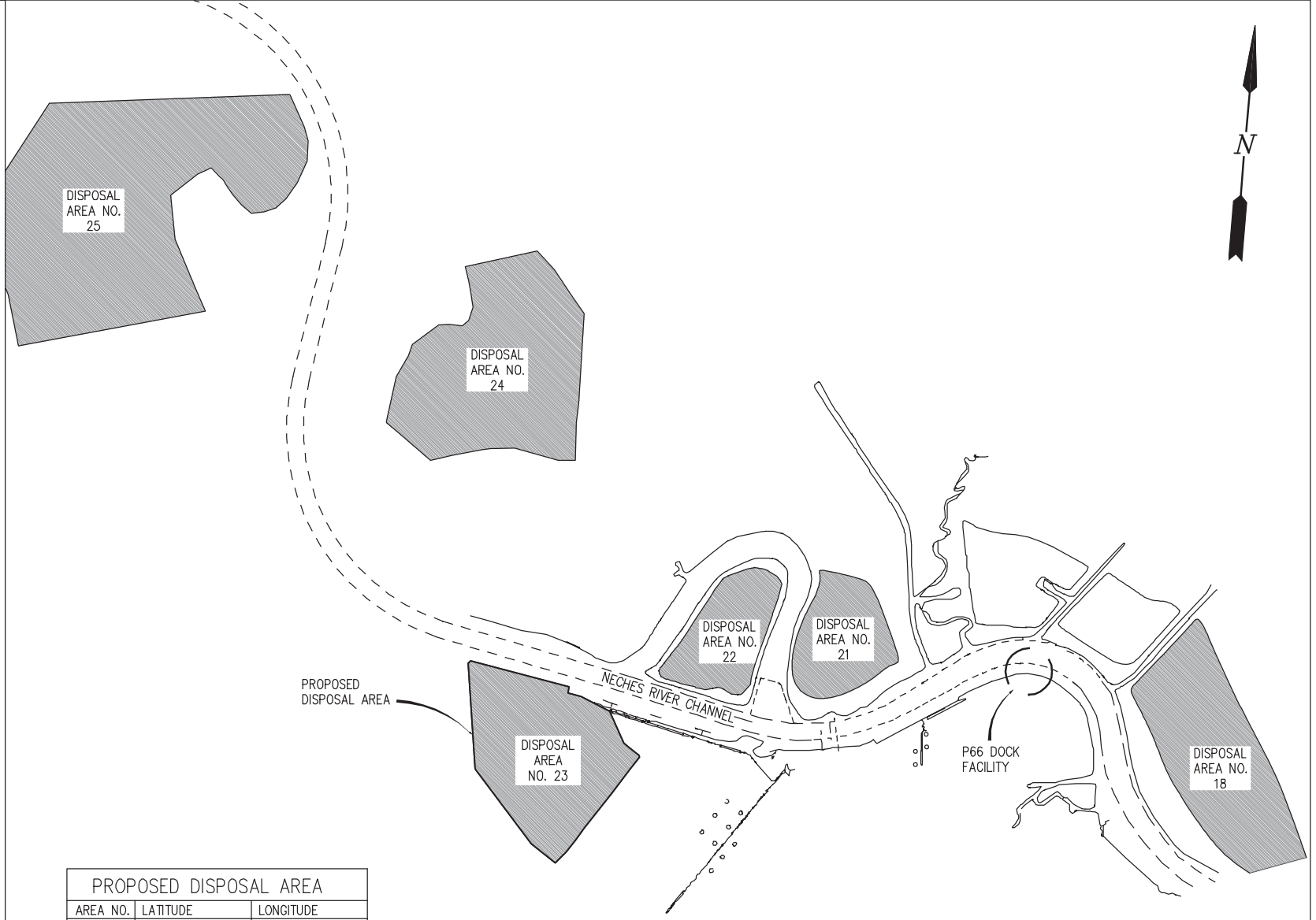
PHILLIPS 66

TEXAS

**BEAUMONT TERMINAL
PROPOSED SHIP DOCK 4
DREDGE PLACEMENT AREAS**

10707-P12

DATE JUL '18
DESIGN MJS
DRAWN JDM
CHECK BNF
CONTRACT 10707
SHEET No.



PROPOSED DISPOSAL AREA		
AREA NO.	LATITUDE	LONGITUDE
18	30.00661° N	93.94722° W
21	30.01451° N	93.97743° W
22	30.01627° N	93.98724° W
23	30.01037° N	94.00139° W
24	30.03738° N	94.01653° W
25	30.05061° N	94.04477° W

DREDGE PLACEMENT AREAS

