



AREA MAP



VICINITY MAP

LAT: 29°49'55.71"N
LONG: 93°57'52.98"W

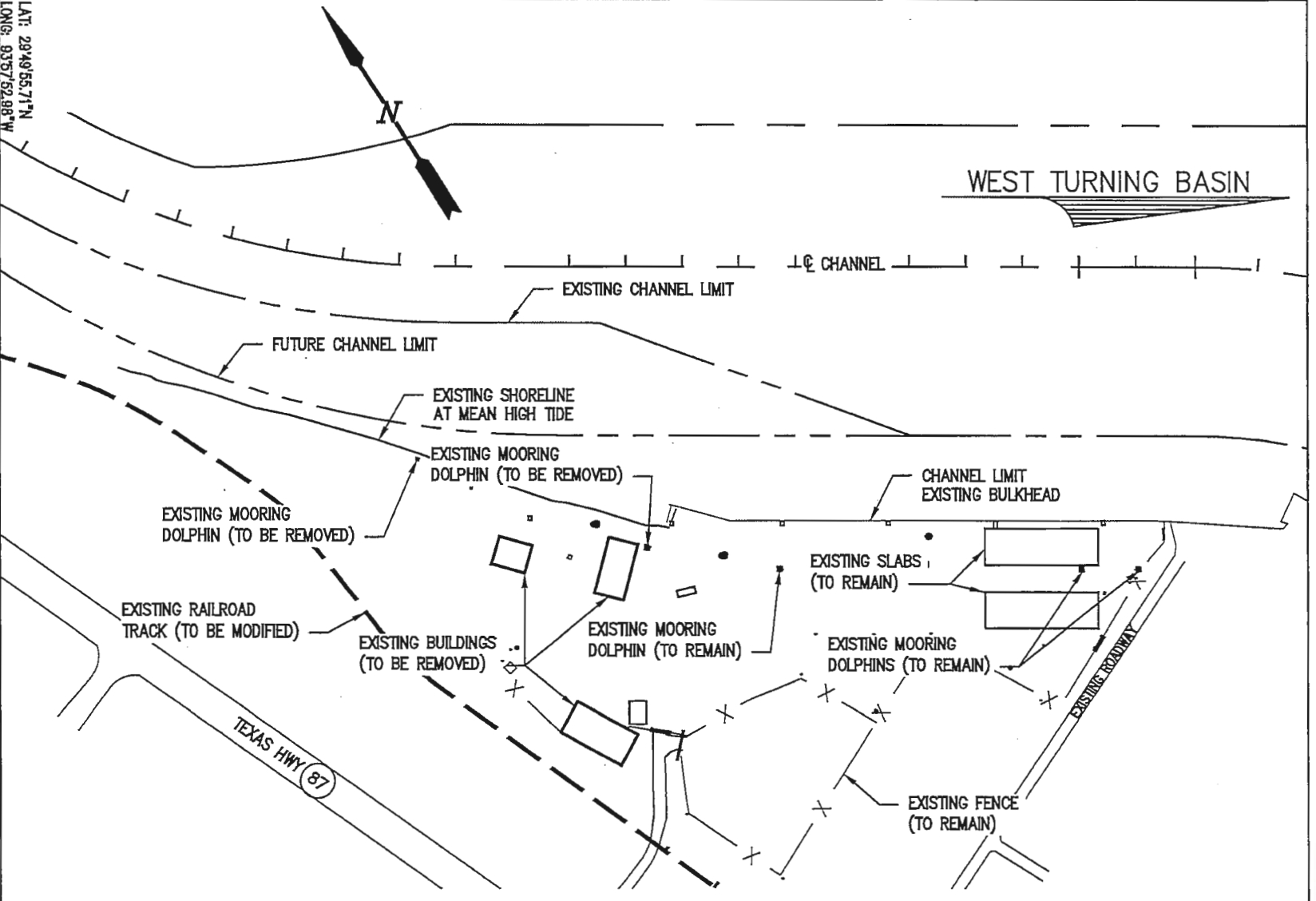
10735-P01

LANIER & ASSOCIATES
CONSULTING ENGINEERS
INCORPORATED
F-2981
NEW ORLEANS, LA · BEAUMONT, TX

PORT ARTHUR G.T. LOGISTICS TEXAS

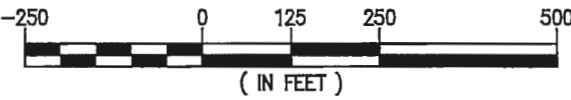
**DEEP WATER FACILITY
PROPOSED NEW SHIP DOCK
VICINITY MAP**

DATE OCT. '15
DESIGN RRM
DRAWN SLB
CHECK DLC
CONTRACT 10735
SHEET No.
1 OF 13



EXISTING SITE PLAN

GRAPHIC SCALE



LANIER & ASSOCIATES
 CONSULTING ENGINEERS
 INCORPORATED
 P-2981
 NEW ORLEANS, LA • BEAUMONT, TX

NEW ORLEANS
G.T. LOGISTICS

**DEEP WATER FACILITY
 PROPOSED NEW SHIP DOCK
 EXISTING SITE PLAN**

LOUISIANA

LAT: 29°49'55.71"N
 LONG: 93°57'52.98"W

10735-P02

DATE	OCT '15
DESIGN	RRM
DRAWN	SLB
CHECK	DLG
CONTRACT	10735
SHEET No.	2 OF 13

LANIER & ASSOCIATES
 CONSULTING ENGINEERS
 INCORPORATED
 F-2981
 NEW ORLEANS, LA BEAUMONT, TX

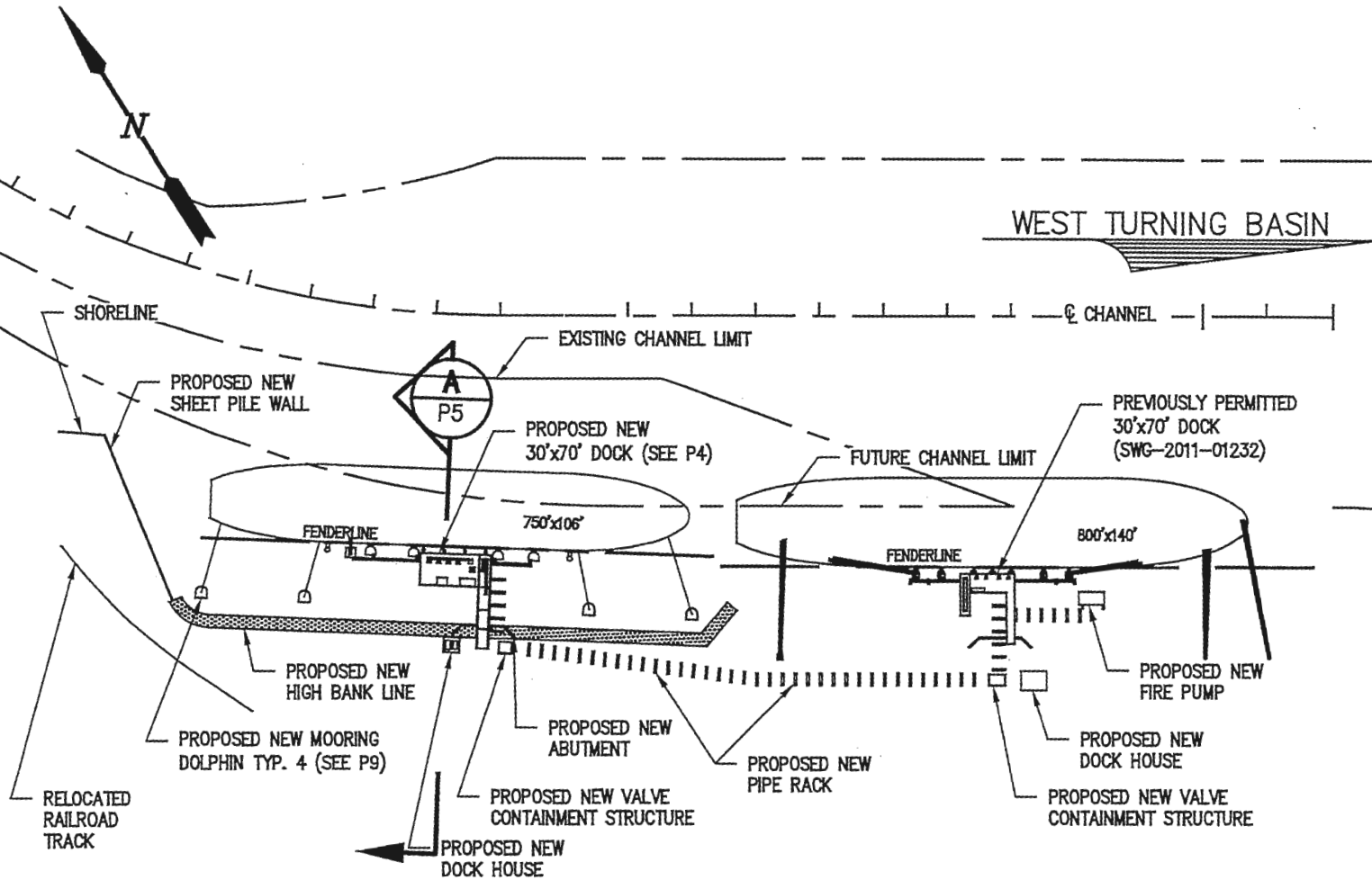
**DEEP WATER FACILITY
 PROPOSED NEW SHIP DOCK
 PROPOSED NEW SITE PLAN**

G.T. LOGISTICS
 NEW ORLEANS LOUISIANA

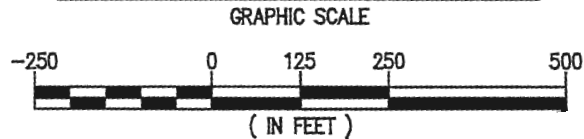
DATE: OCT '15
 DESIGN: RRM
 DRAWN: SLB
 CHECK: DLG
 CONTRACT: 10735
 SHEET No. **3**
 OF **13**

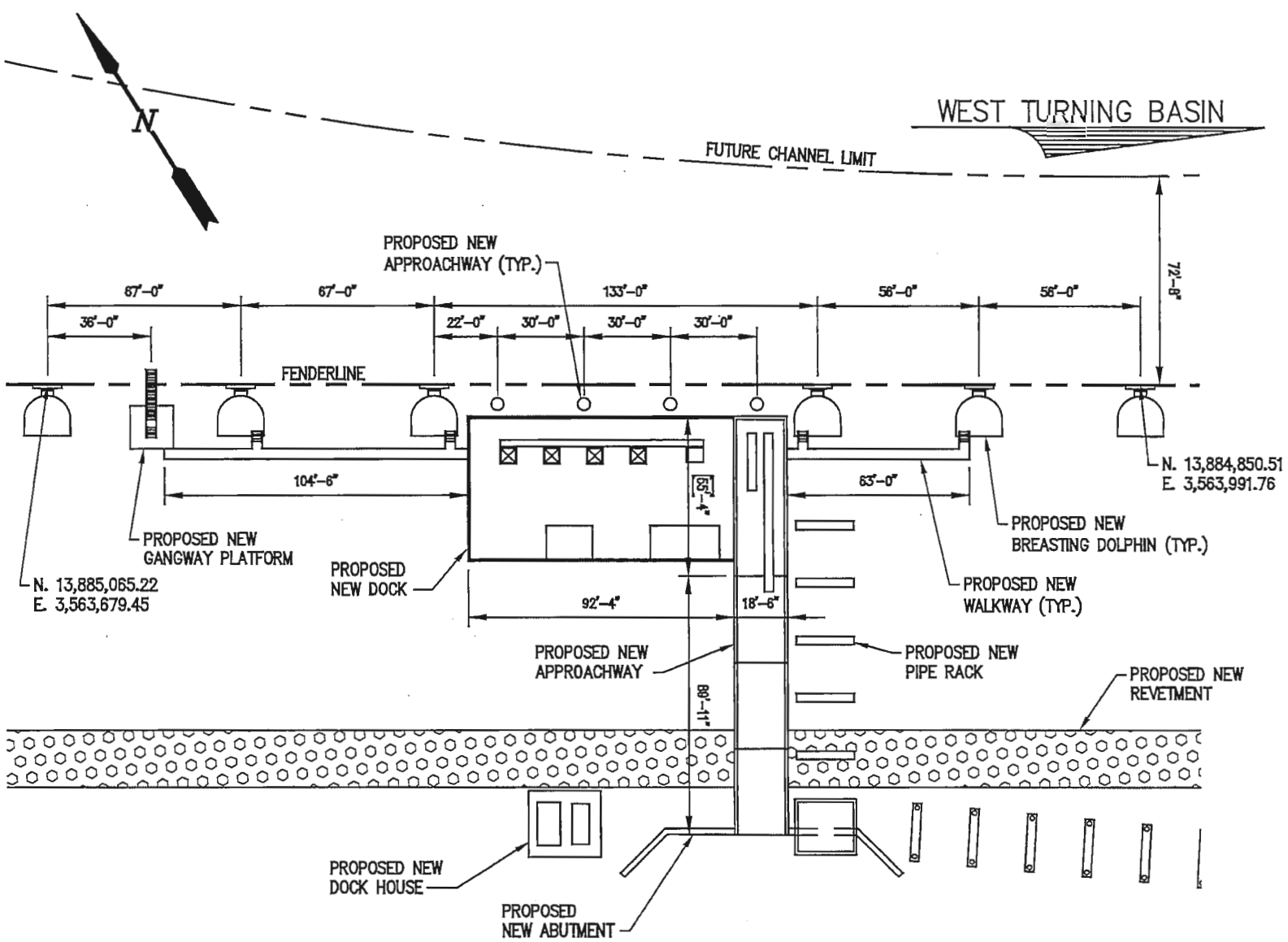
LAT: 29°49'55.71"N
 LONG: 93°57'52.98"W

10735-P03



PROPOSED NEW SITE PLAN





ENLARGED NEW DOCK PLAN
SCALE: 1" = 50'

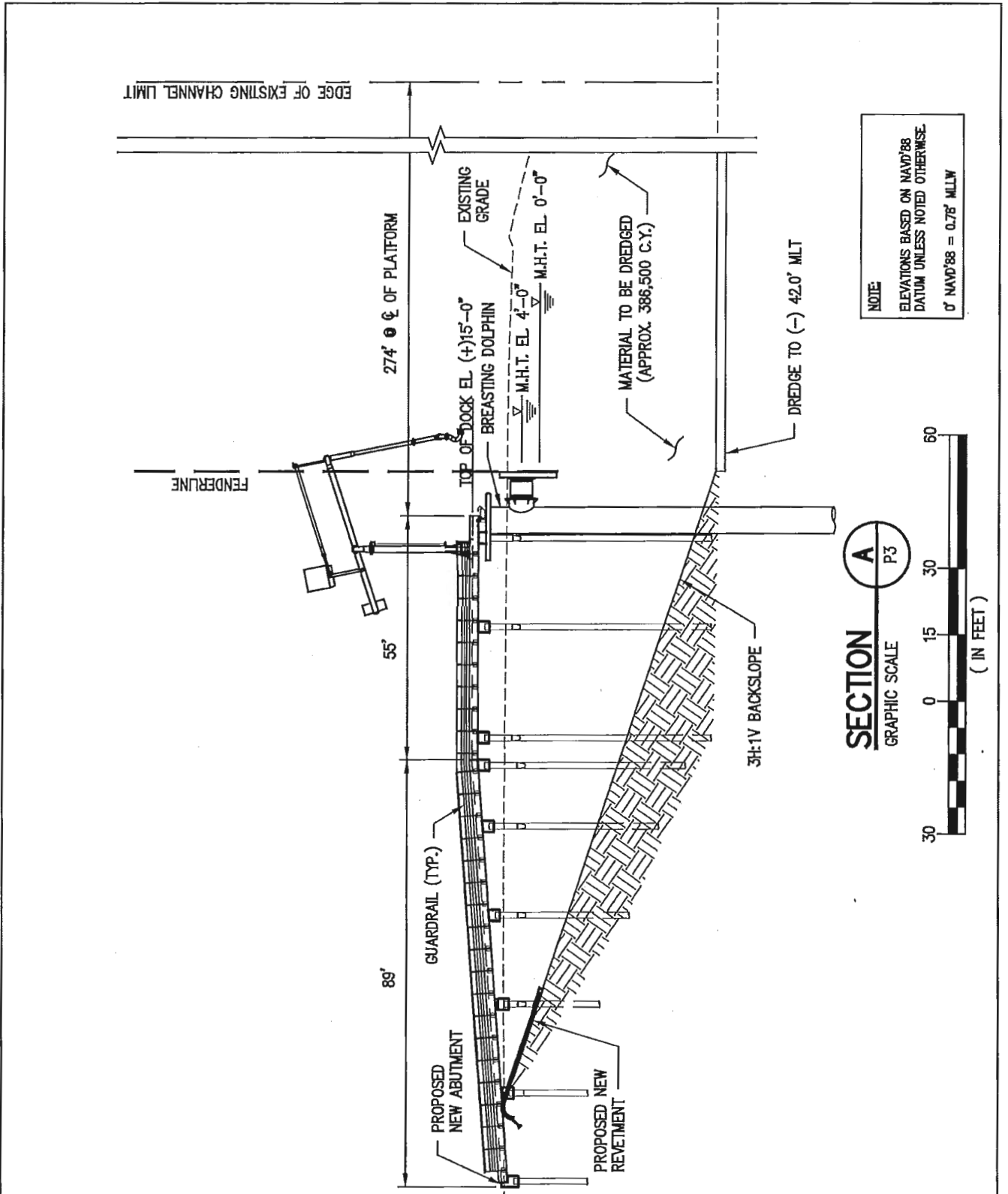
LAT: 29°49'55.71"N
LONG: 93°57'52.98"W

10736-P04

LANIER & ASSOCIATES
CONSULTING ENGINEERS
INCORPORATED
F-2981
NEW ORLEANS, LA · BEAUMONT, TX

NEW ORLEANS
G.T. LOGISTICS
LOUISIANA
DEEP WATER FACILITY
PROPOSED NEW SHIP DOCK
ENLARGED NEW DOCK PLAN

DATE	OCT. '10
DESIGN	RRM
DRAWN	SLB
CHECK	DLC
CONTRACT	0735
SHEET No.	4
	OF 13



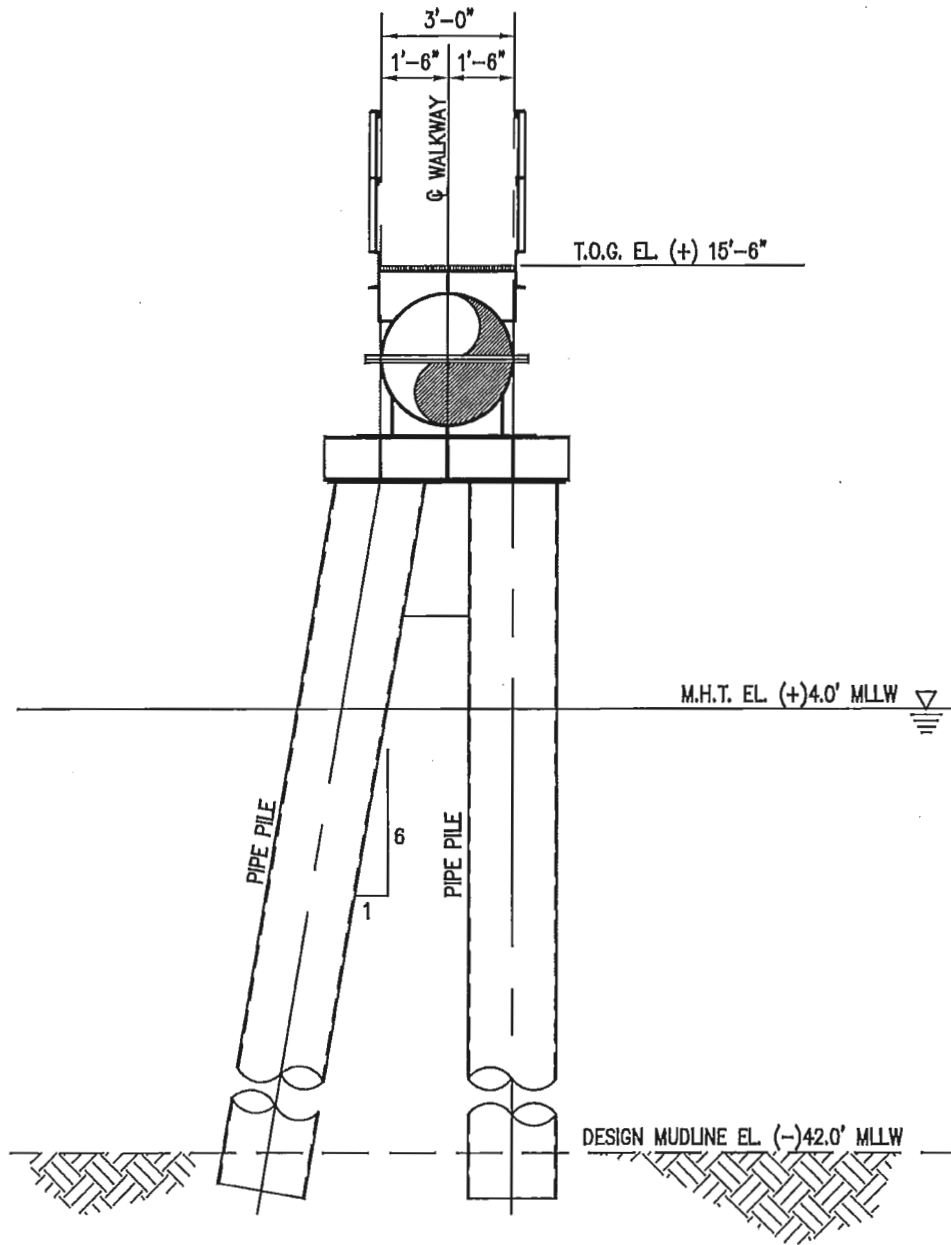
LAT: 29°49'55.71"N
 LONG: 93°57'52.98"W

10735-P05

LANIER & ASSOCIATES
 CONSULTING ENGINEERS
 INCORPORATED
 F-2981
 NEW ORLEANS, LA · BEAUMONT, TX

PORT ARTHUR **G.T. LOGISTICS** TEXAS
DEEP WATER FACILITY
PROPOSED NEW SHIP DOCK
SECTION A

DATE OCT. '15
 DESIGN
 DRAWN SLB
 CHECK DLC
 CONTRACT 10735
 SHEET No.
5 OF **13**



NOTE:
 ELEVATIONS BASED ON NAVD'88
 DATUM UNLESS NOTED OTHERWISE.
 0' NAVD'88 = 0.78' MLLW

TYPICAL WALKWAY SUPPORT

N.T.S. (3 REQ'D)

LAT: 29°49'55.71"N
 LONG: 93°57'52.98"W

10735-P06

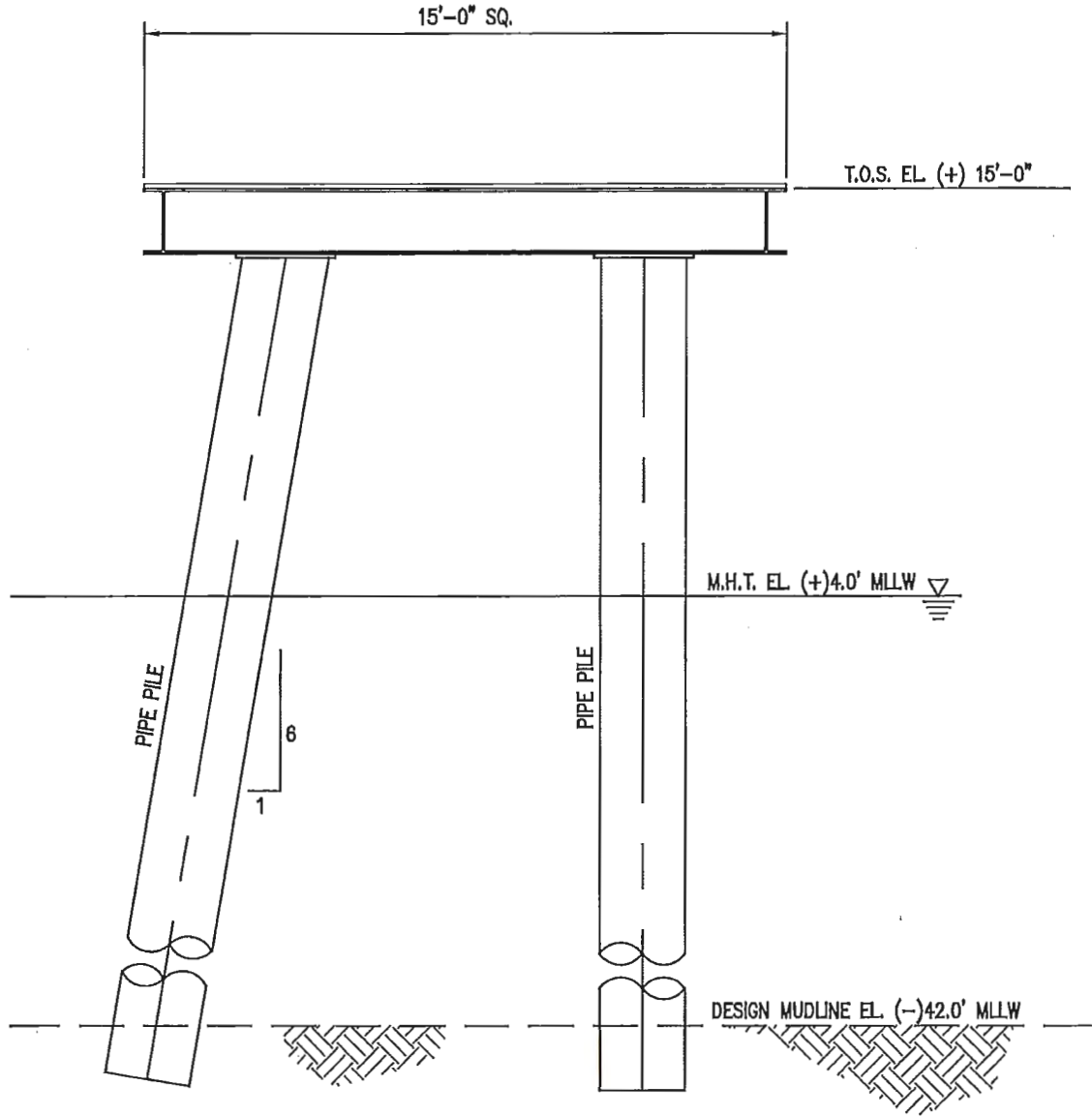


LANIER & ASSOCIATES
 CONSULTING ENGINEERS
 INCORPORATED
 F-2981
 NEW ORLEANS, LA · BEAUMONT, TX

G.T. LOGISTICS
 PORT ARTHUR TEXAS

**DEEP WATER FACILITY
 PROPOSED NEW SHIP DOCK
 TYPICAL WALKWAY SUPPORT**

DATE OCT. '15
 DESIGN
 DRAWN SLB
 CHECK DLG
 CONTRACT 10735
 SHEET No.
6 OF **13**



NOTE:
 ELEVATIONS BASED ON NAVD'88
 DATUM UNLESS NOTED OTHERWISE.
 0' NAVD'88 = 0.78' MLLW

GANGWAY SUPPORT

N.T.S. (1 REQ'D)

LAT: 29°49'55.71"N
 LONG: 93°57'52.98"W

10735-P07



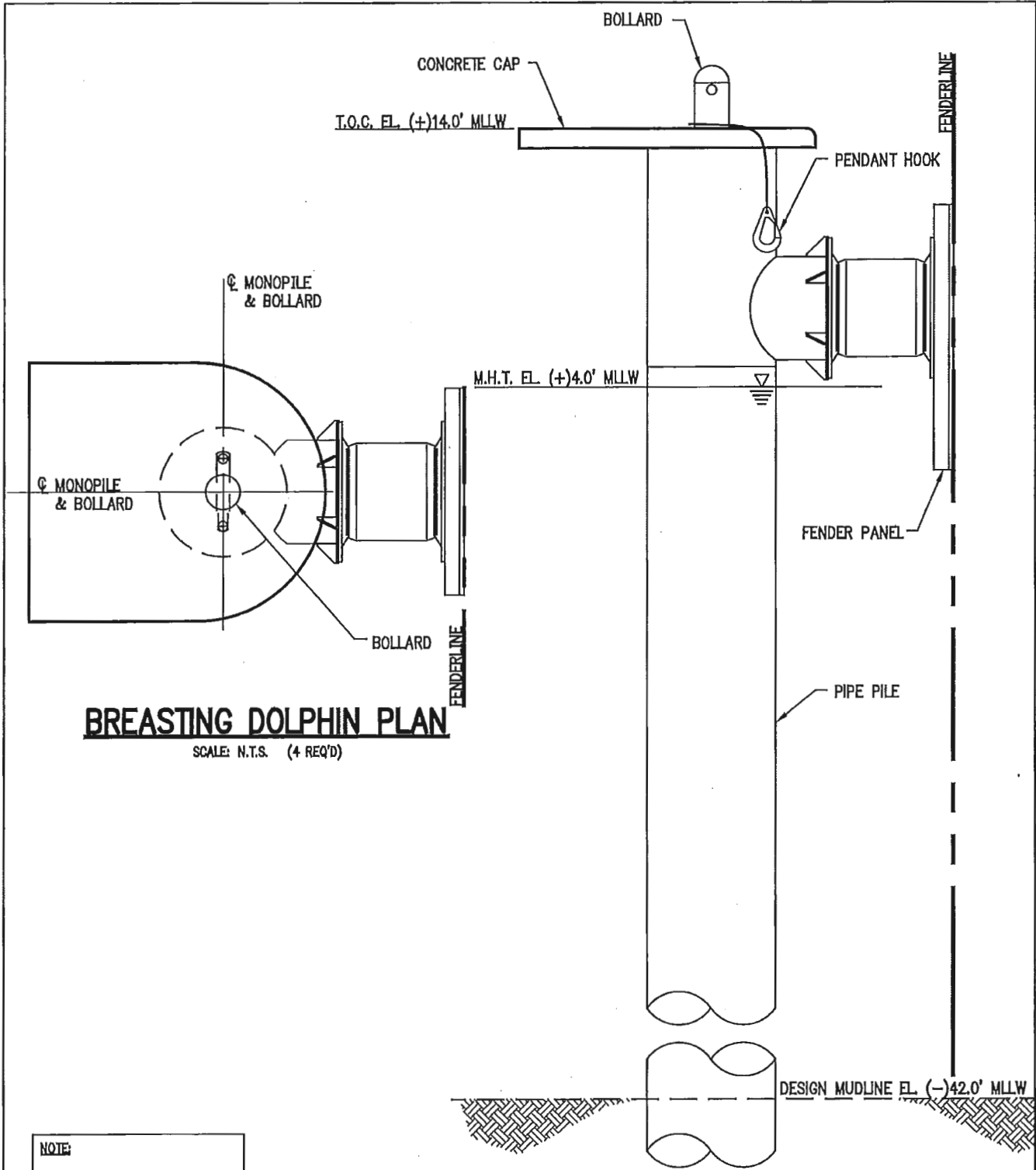
LANIER & ASSOCIATES
 CONSULTING ENGINEERS
 INCORPORATED
 F-2981
 NEW ORLEANS, LA · BEAUMONT, TX

PORT ARTHUR **G.T. LOGISTICS** TEXAS

**DEEP WATER FACILITY
 PROPOSED NEW SHIP DOCK
 TYPICAL WALKWAY SUPPORT**

DATE MAY '18
 DESIGN AJE
 DRAWN JDM
 CHECK AJE
 CONTRACT 10735
 SHEET No.

7 OF 13



BREASTING DOLPHIN PLAN

SCALE: N.T.S. (4 REQ'D)

BREASTING DOLPHIN ELEVATION

N.T.S. (4 REQ'D)

NOTE:
 ELEVATIONS BASED ON NAVD'88 DATUM UNLESS NOTED OTHERWISE.
 0' NAVD'88 = 0.78' MLLW

LAT: 29°49'55.71"N
 LONG: 93°57'52.98"W

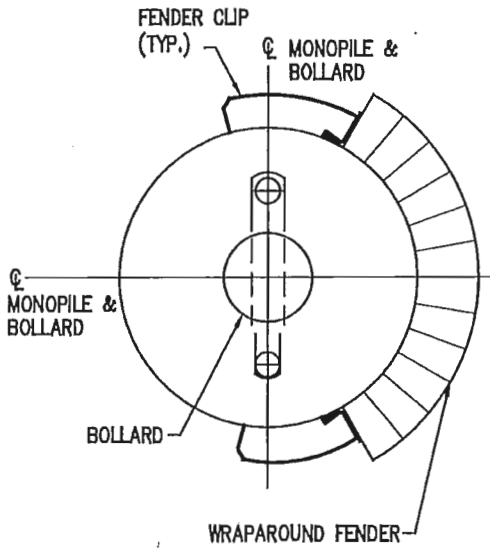
10735-P08

LANIER & ASSOCIATES
 CONSULTING ENGINEERS
 INCORPORATED
 F-2981
 NEW ORLEANS, LA · BEAUMONT, TX

G.T. LOGISTICS
 PORT ARTHUR TEXAS

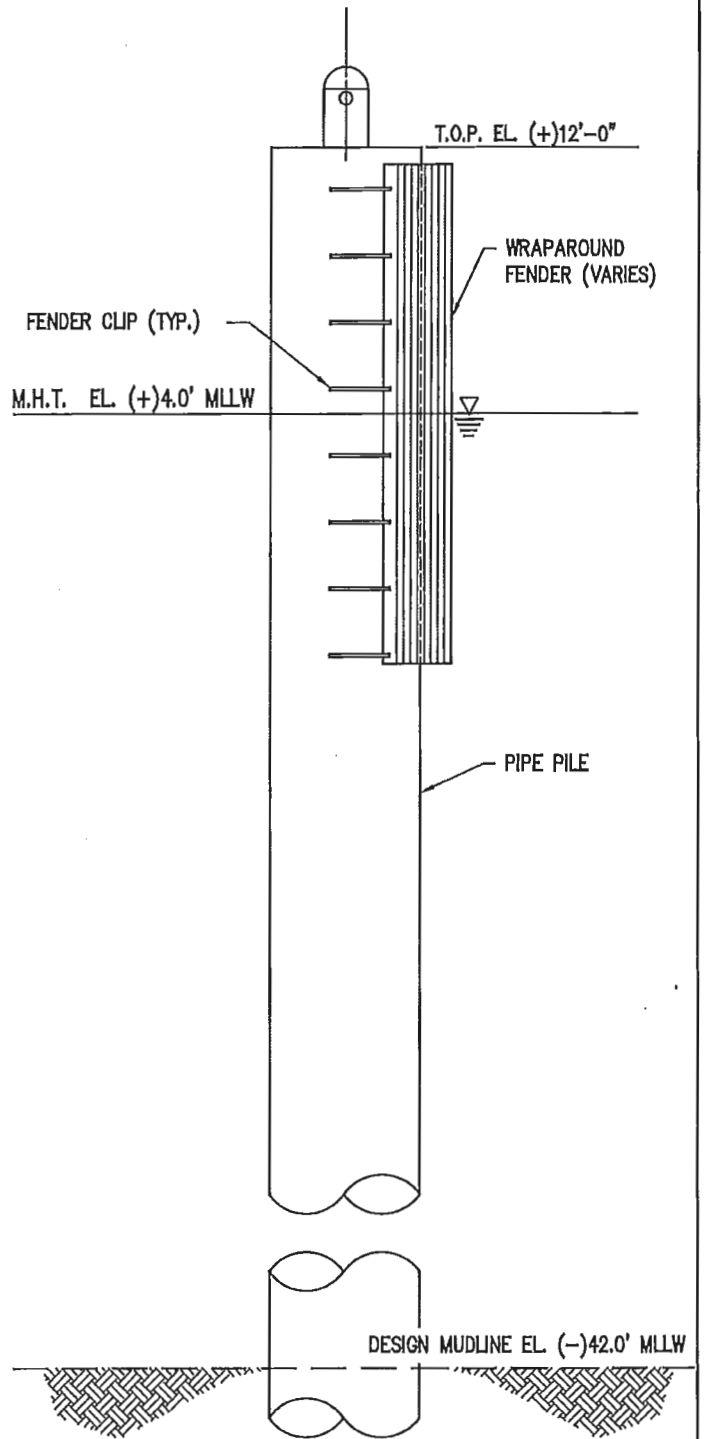
**DEEP WATER FACILITY
 PROPOSED NEW SHIP DOCK
 BREASTING DOLPHIN PLAN & ELEVATION**

DATE	OCT. '15
DESIGN	WCC
DRAWN	SLB
CHECK	DLC
CONTRACT	10735
SHEET No.	
	8 OF 13



BARGE MONOPILE PLAN

N.T.S.



BARGE MONOPILE ELEVATION

N.T.S. (5 REQ'D)

NOTE:

ELEVATIONS BASED ON NAVD'88 DATUM UNLESS NOTED OTHERWISE.

0' NAVD'88 = 0.78' MLLW

LAT: 29°49'55.71"N
LONG: 93°57'52.98"W

10735-P09



LANIER & ASSOCIATES

CONSULTING ENGINEERS
INCORPORATED

F-2981
NEW ORLEANS, LA BEAUMONT, TX

PORT ARTHUR

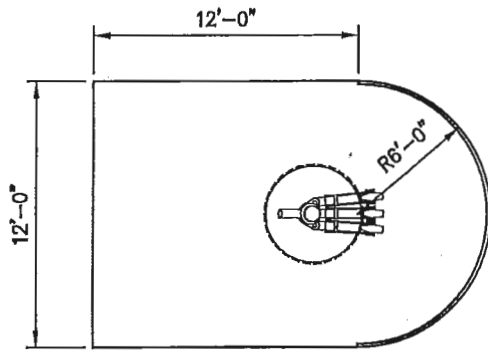
G.T. LOGISTICS

TEXAS

**DEEP WATER FACILITY
PROPOSED NEW SHIP DOCK
PROPOSED BARGE DOLPHIN PLAN & ELEVATION**

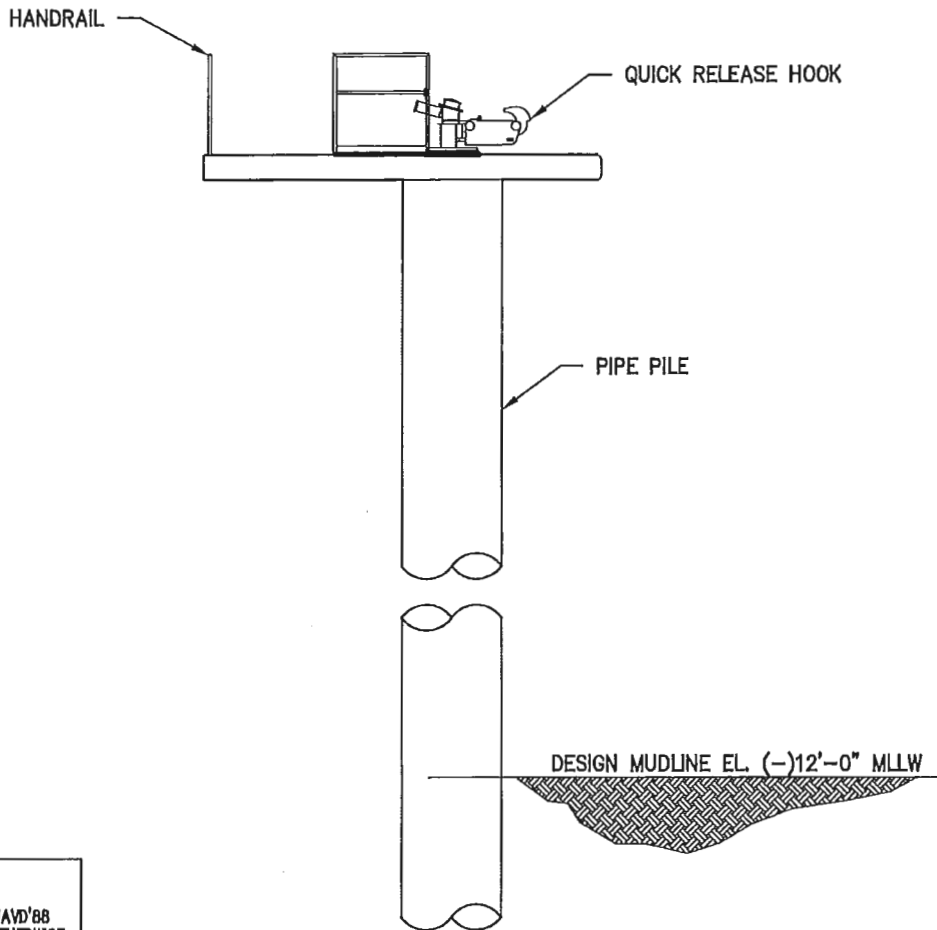
DATE OCT. '15
DESIGN
DRAWN SLB
CHECK DLC
CONTRACT 10735
SHEET No.

9 OF 13



MOORING DOLPHIN PLAN

N.T.S.



MOORING DOLPHIN ELEVATION

N.T.S. (4 REQ'D)

NOTE:

ELEVATIONS BASED ON NAVD'88 DATUM UNLESS NOTED OTHERWISE.

0' NAVD'88 = 0.78' MLLW

LAT: 29°49'55.71"N
LONG: 93°57'52.98"W

10735-P10

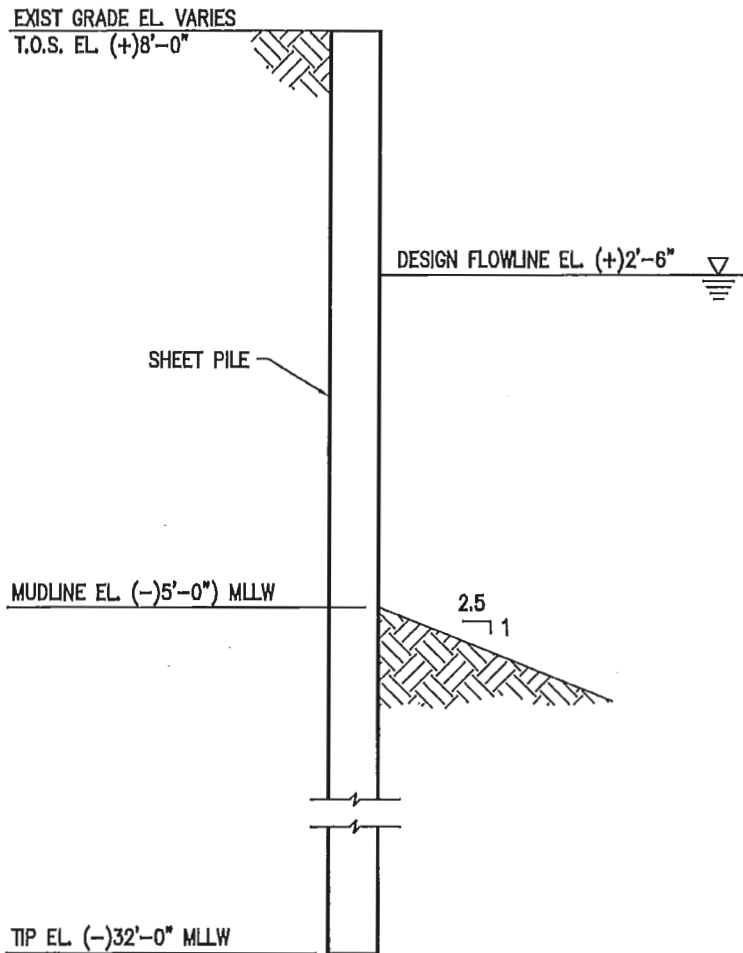


LANIER & ASSOCIATES
CONSULTING ENGINEERS
INCORPORATED
F-2981
NEW ORLEANS, LA BEAUMONT, TX

PORT ARTHUR **G.T. LOGISTICS** TEXAS

DEEP WATER FACILITY
PROPOSED NEW SHIP DOCK
PROPOSED MOORING DOLPHIN PLAN & ELEVATION

DATE	OCT. '15
DESIGN	
DRAWN	SLB
CHECK	DLC
CONTRACT	10735
SHEET No.	10 OF 13



NOTE:
 ELEVATIONS BASED ON NAVD'88
 DATUM UNLESS NOTED OTHERWISE.
 0' NAVD'88 = 0.78' MLLW

SHEET PILE WALL SECTION

SCALE: 1/4" = 1'-0"

LAT: 29°49'55.71"N
 LONG: 93°57'52.98"W

10735-P11



LANIER & ASSOCIATES
 CONSULTING ENGINEERS
 INCORPORATED
 F-2981
 NEW ORLEANS, LA · BEAUMONT, TX

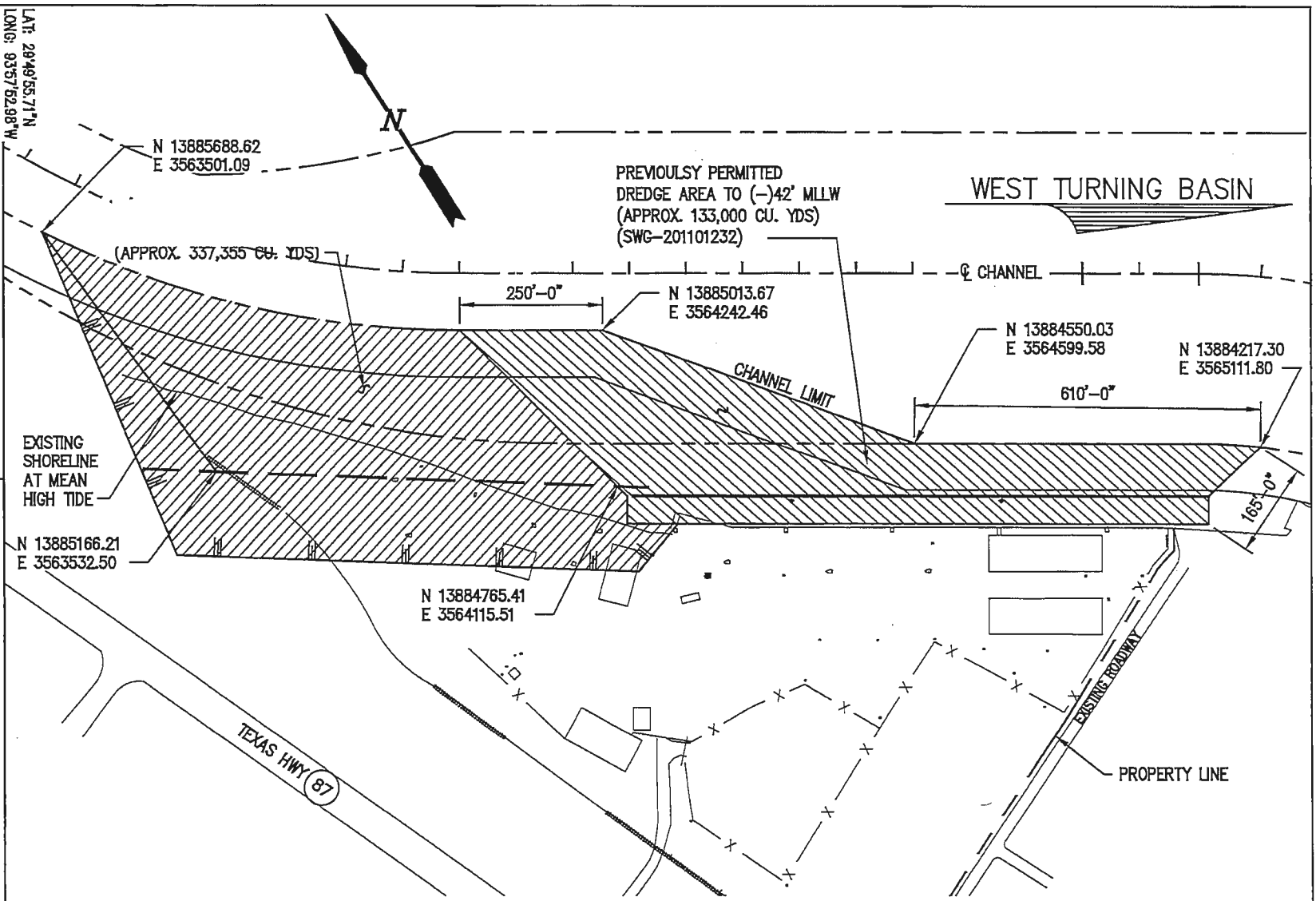
PORT ARTHUR **G.T. LOGISTICS** TEXAS

**DEEP WATER FACILITY
 PROPOSED NEW SHIP DOCK
 SHEET PILE WALL SECTIONS**

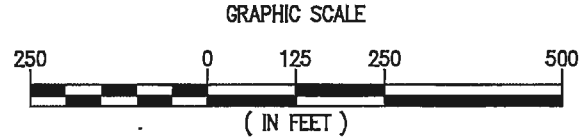
DATE MAY '10
 DESIGN AJE
 DRAWN JDM
 CHECK AJE
 CONTRACT 10735
 SHEET No.

11 OF 13

WEST TURNING BASIN



PROPOSED DREDGE PLAN



LANIER & ASSOCIATES
 CONSULTING ENGINEERS
 INCORPORATED
 F-2981
 NEW ORLEANS, LA · BEAUMONT, TX

PORT ARTHUR
G.T. LOGISTICS
 TEXAS
 DEEP WATER FACILITY
 PROPOSED NEW SHIP DOCK
 PROPOSED DREDGE PLAN

DATE	OCT '15
DESIGN	SLB
DRAWN	SLB
CHECK	DLC
CONTRACT	10735
SHEET NO.	12 OF 13

LAT: 29°49'55.71"N
 LONG: 93°57'52.98"W

(APPROX. 337,355 CU. YDS)

PREVIOUSLY PERMITTED
 DREDGE AREA TO (-)42' MLLW
 (APPROX. 133,000 CU. YDS)
 (SWG-201101232)

EXISTING
 SHORELINE
 AT MEAN
 HIGH TIDE

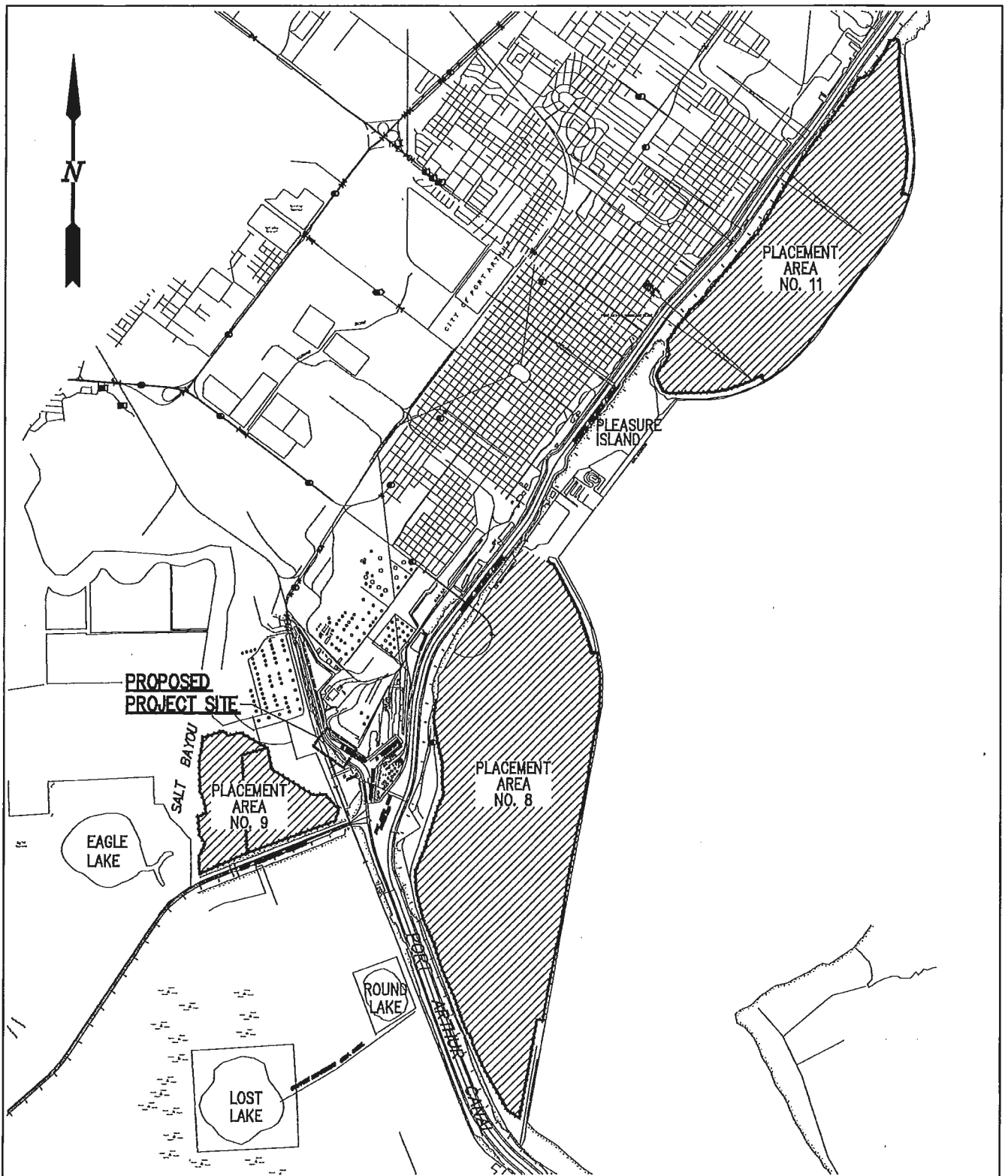
CHANNEL LIMIT

TEXAS HWY (87)

EXISTING ROADWAY

PROPERTY LINE

10735-P12



DREDGE PLACEMENT AREA PLAN

LAT: 29°49'55.71"N
LONG: 93°57'52.98"W

10735-P13



LANIER & ASSOCIATES
CONSULTING ENGINEERS
INCORPORATED
F-2981
NEW ORLEANS, LA • BEAUMONT, TX

PORT ARTHUR **G.T. LOGISTICS** TEXAS

**DEEP WATER FACILITY
PROPOSED NEW SHIP DOCK
DREDGE PLACEMENT AREA PLAN**

DATE	OCT. '15
DESIGN	
DRAWN	SLB
CHECK	DLC
CONTRACT	10735
SHEET No.	
	13 OF 13